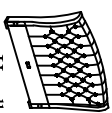
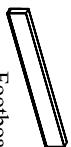




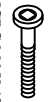


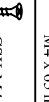
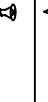




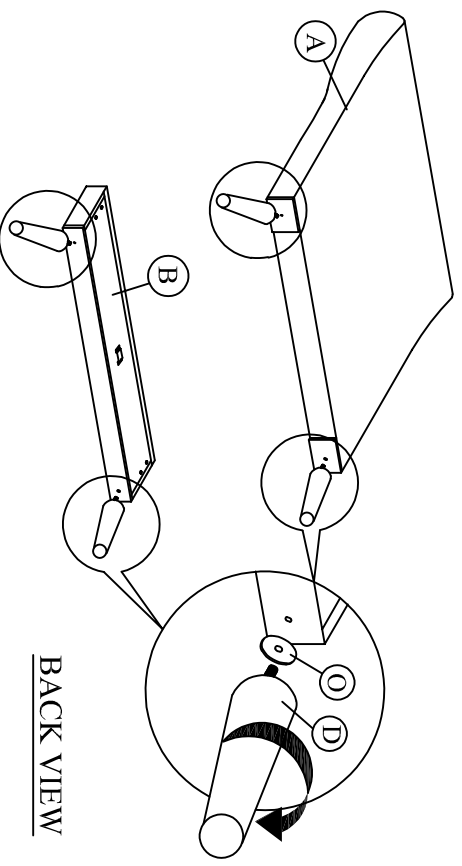


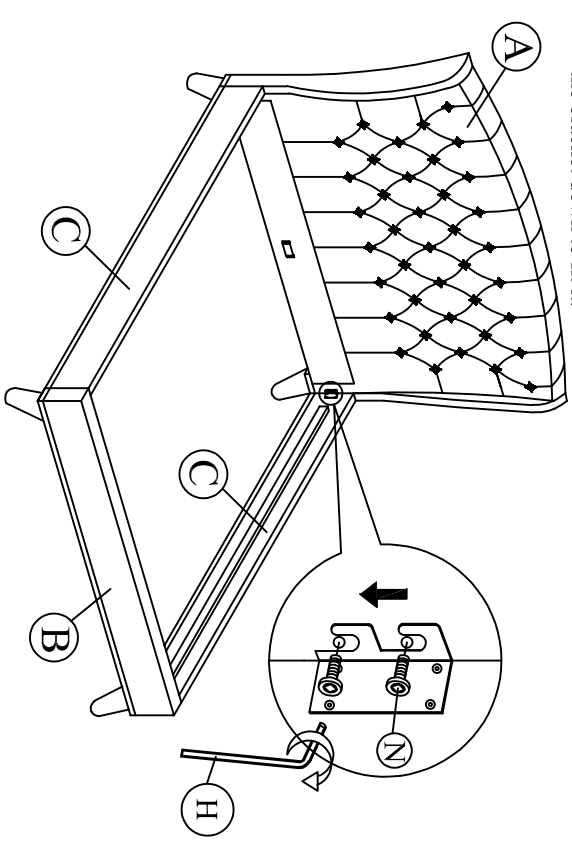
MODEL : CF 9316-C (S) -
CASTELLA QUEEN BED

A		1 pc
B		1 pc
C		2 pcs
D	 68 x 43 x 150(H)	4 pcs
E	 2050mm	1 pc
F	 265mm	2 pcs
G		2 pcs
H		1 pc
I		1 pc
J		2 pcs
K		35 pcs
L		1 pc
M		2 pcs
N		8 pcs
O		4 pcs

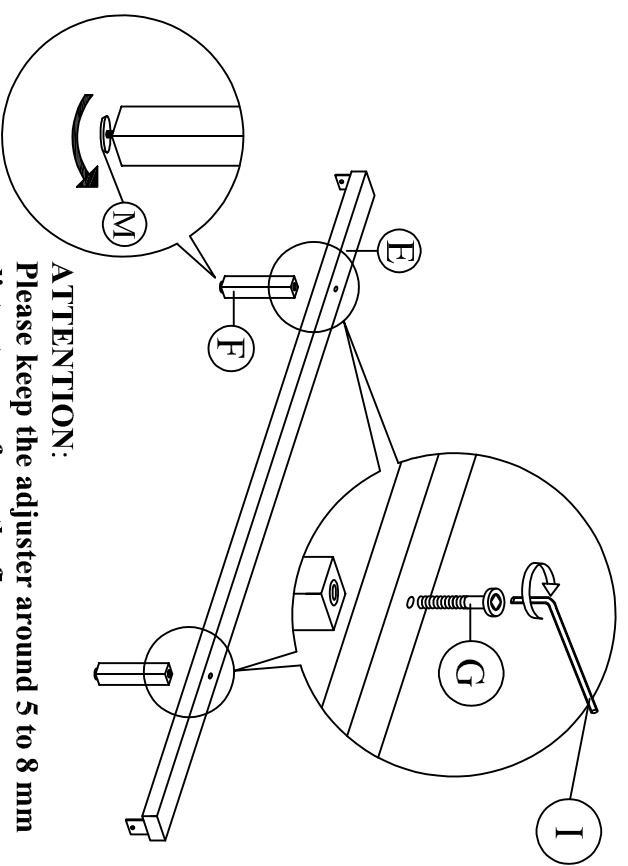
Step 1 : Install the legs (D) to footboard (B) and headboard (A). Tighten the legs.



Step 2 : Attach side rail (C) to footboard (B) first follow by headboard (A) by pushing the bracket down to fit it.

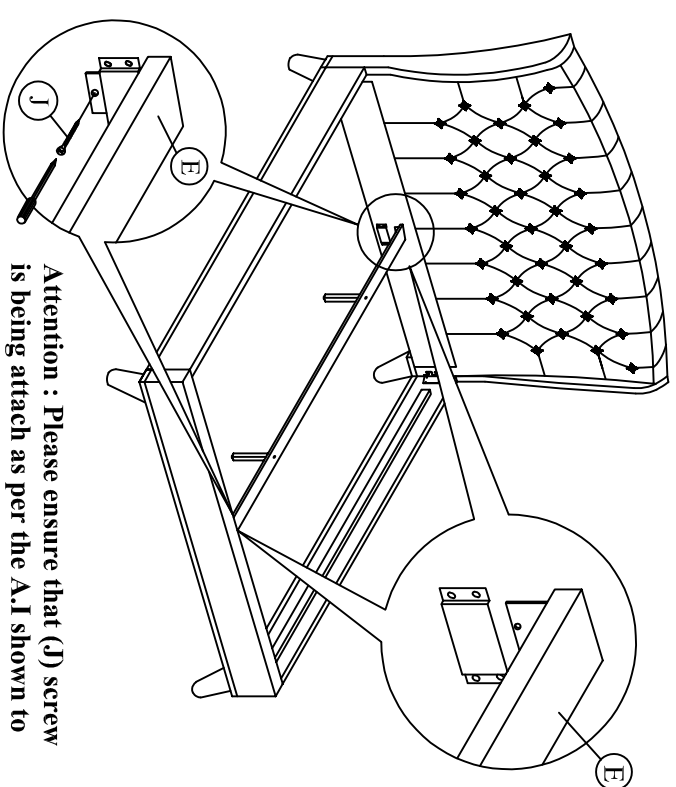


Step 3 : Attach the support legs (F) to the center rail (E) of the bed as shown.



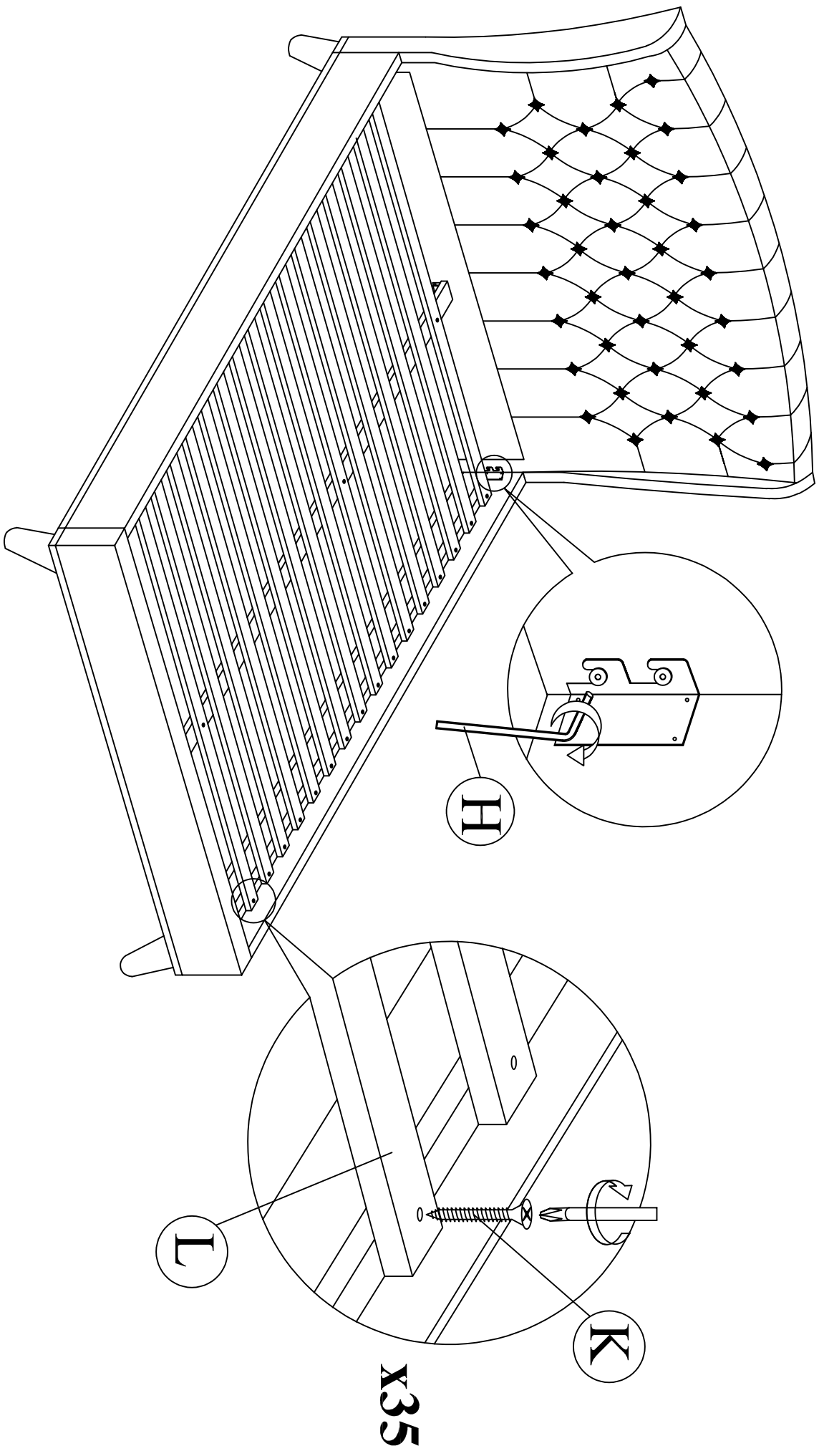
ATTENTION:
Please keep the adjuster around 5 to 8 mm distant away from the floor.

Step 4 : Slide the center rail (E) to the headboard (A) and footboard (B). Tighten screws (J) using screw driver (not included) to the headboard (A) and footboard (B).



Attention : Please ensure that (J) screw is being attach as per the A.I shown to avoid base being collapse.

Step 5 : Affix the Slat (L) to the center rail (E) and side rail support wood. Tighten all the 4 corner.



X35