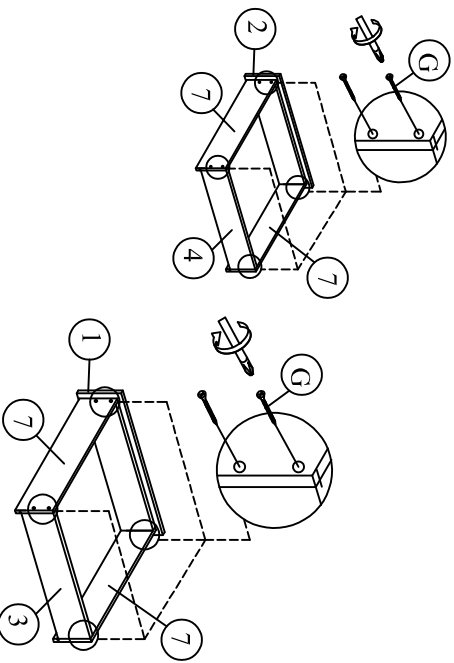
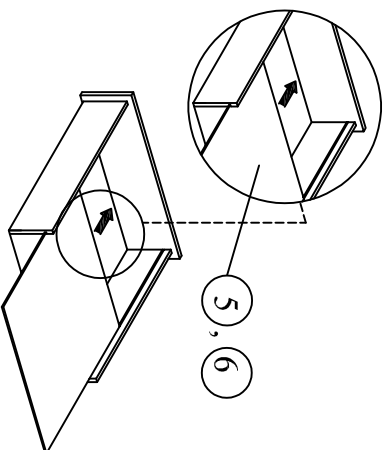




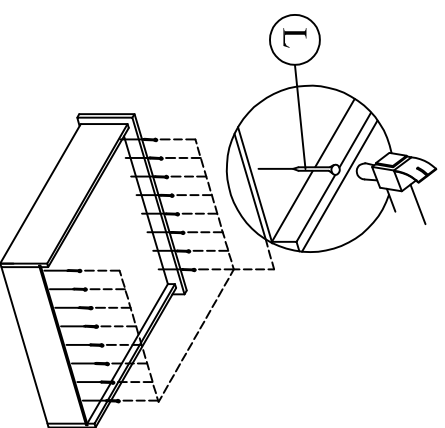
**Step 1** The way to assemble the big drawer and small drawer is the same !! Step 1 until Step 5 !!



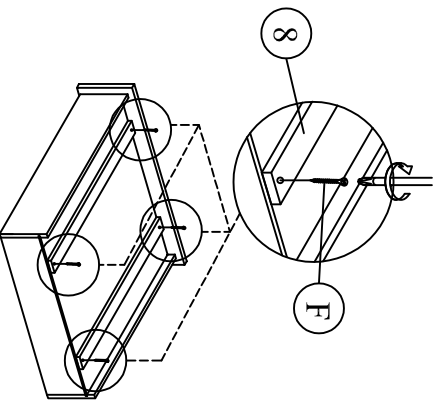
**Step 2**



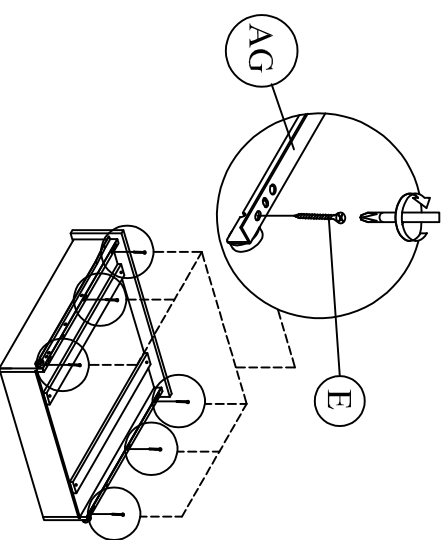
**Step 3**



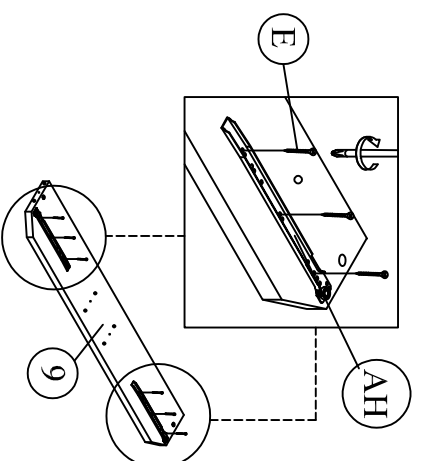
**Step 4**



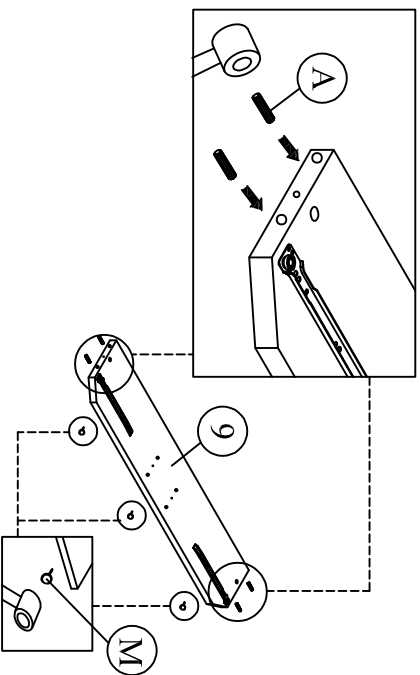
**Step 5**



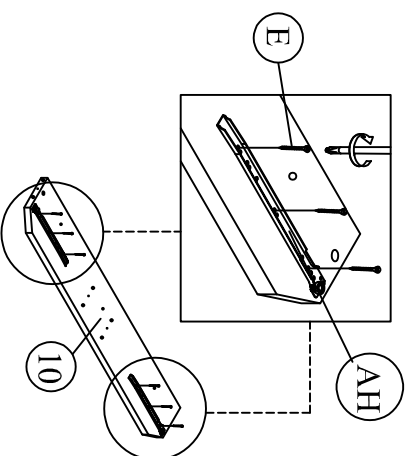
**Step 6**



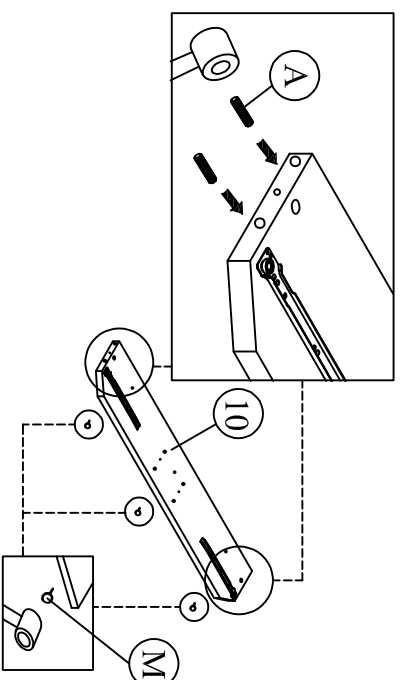
Step 7



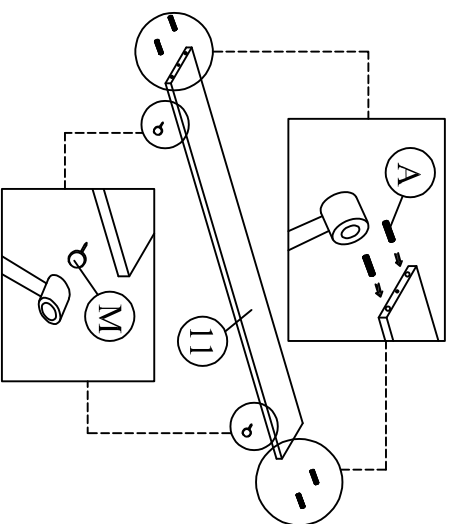
Step 8



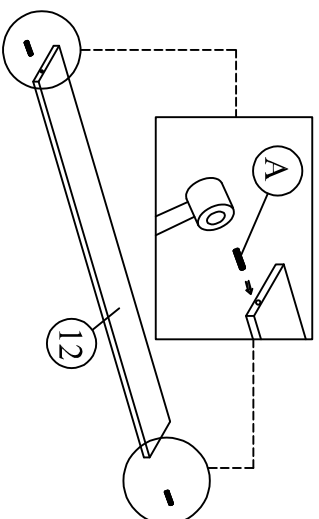
Step 9



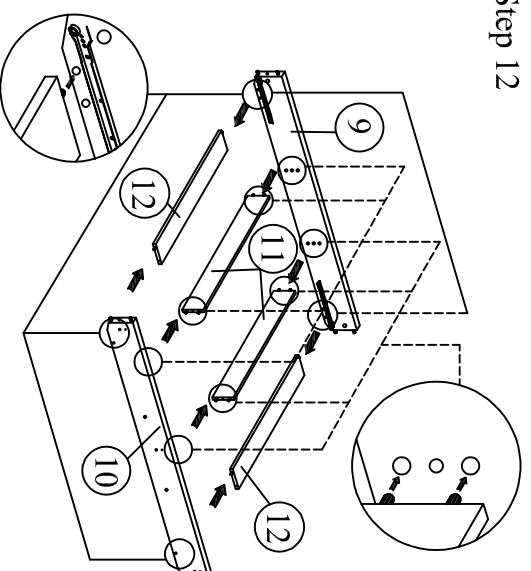
Step 10

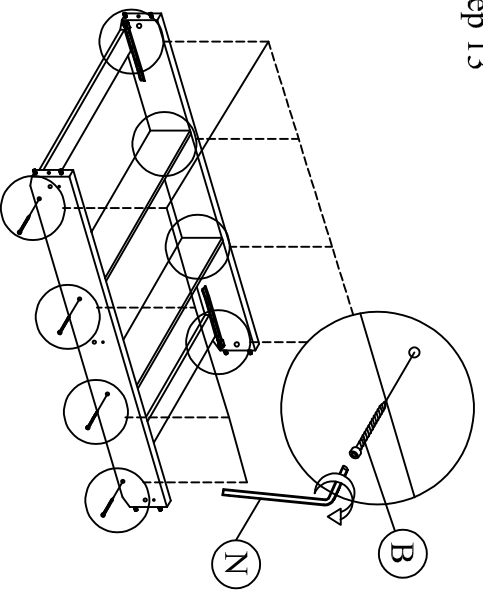


Step 11

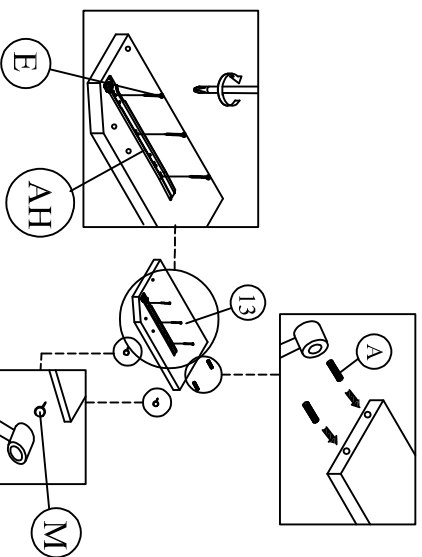


Step 12

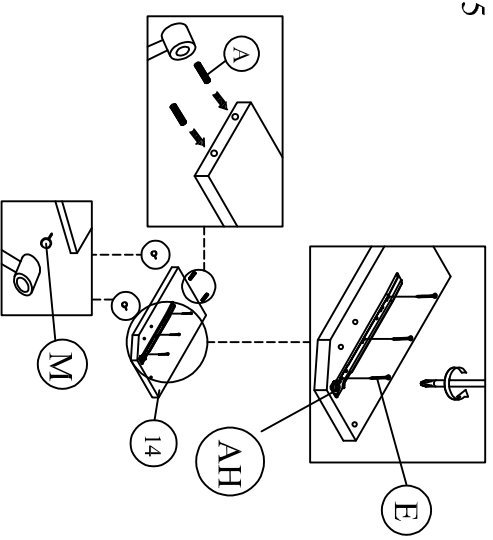




Step 13

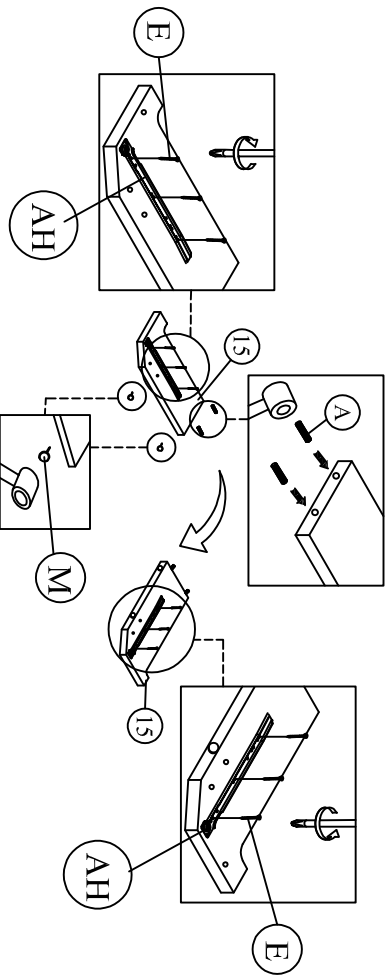


Step 14

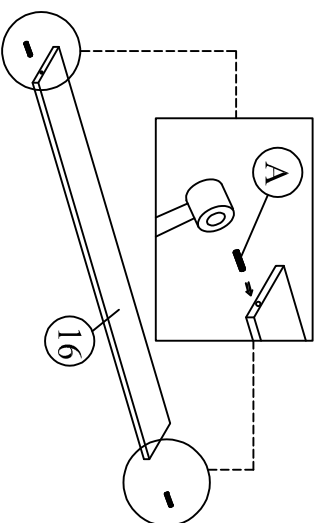


Step 15

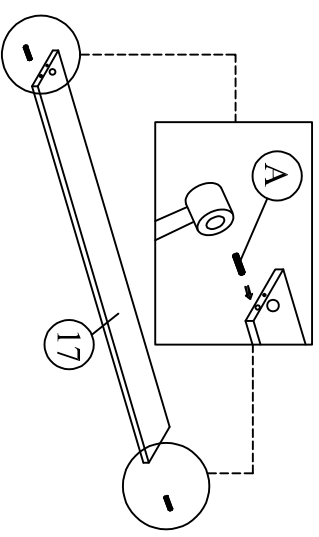
Step 16 Attach AH to 15 and tighten it with E, the flip 15 to the other side and repeat the same step.

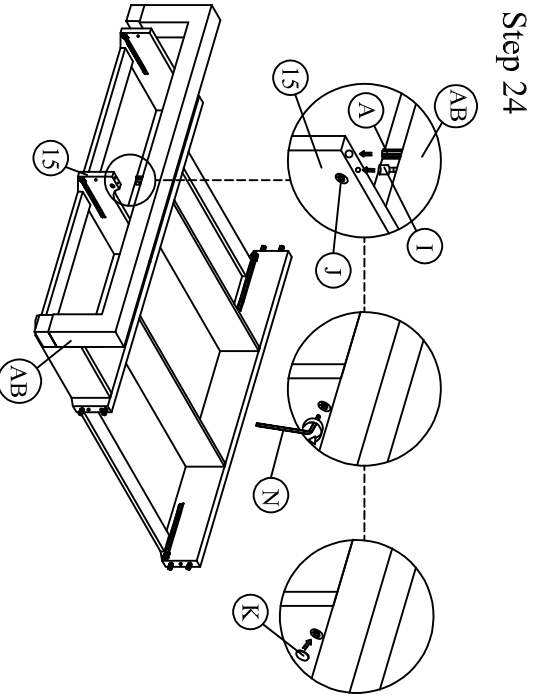
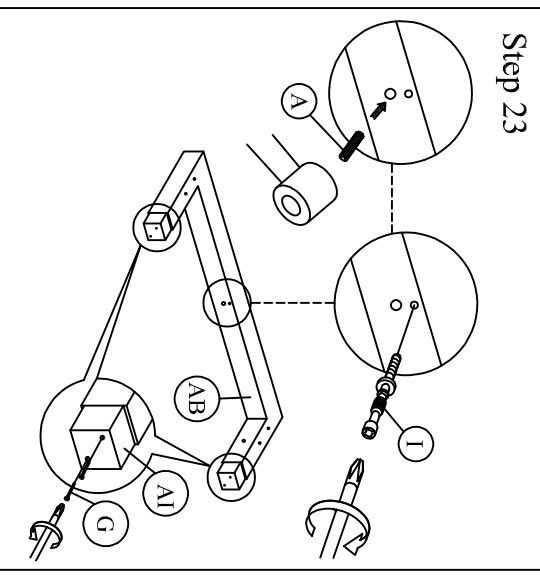
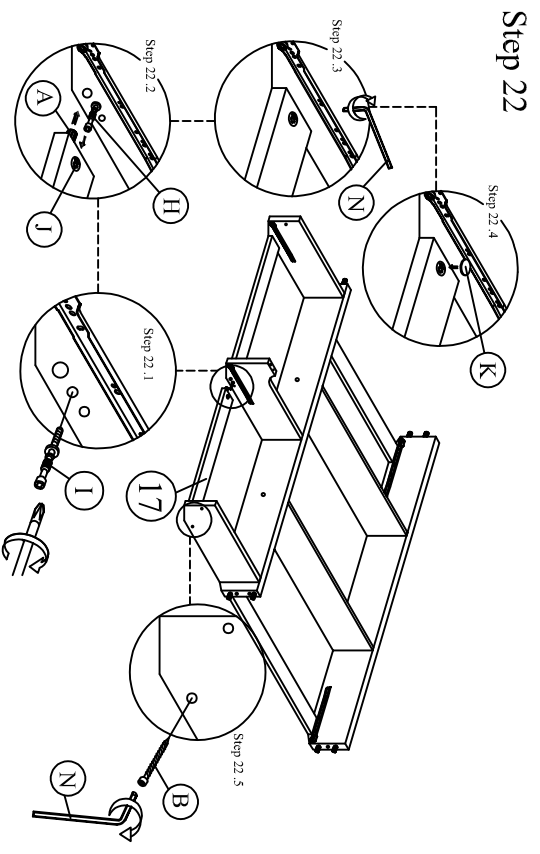
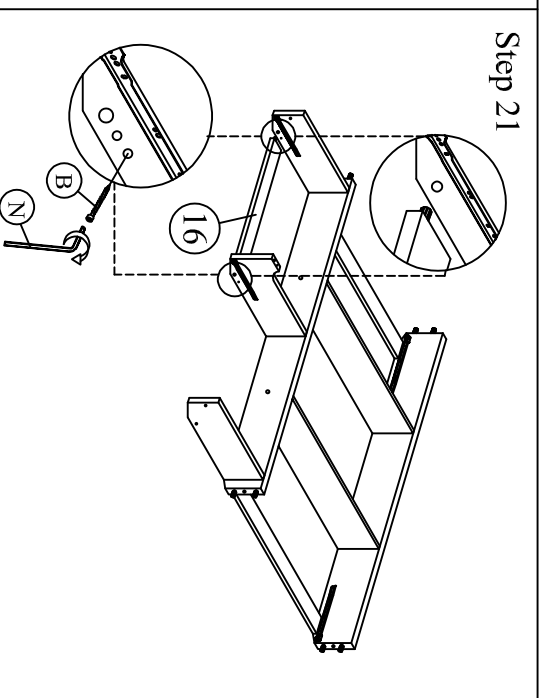
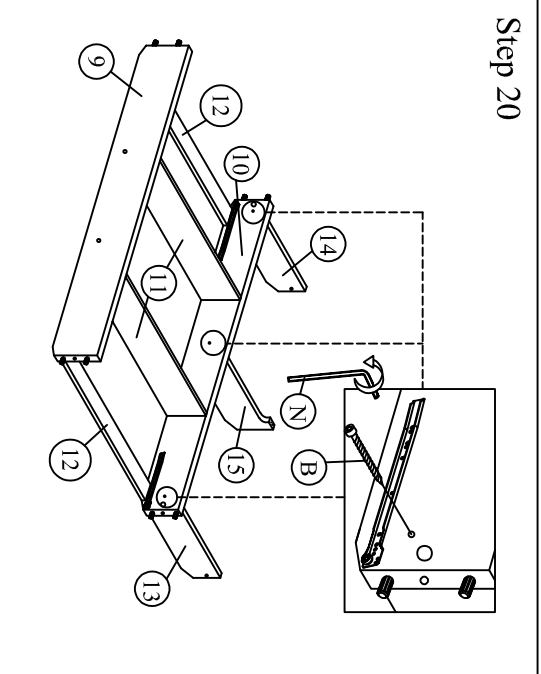
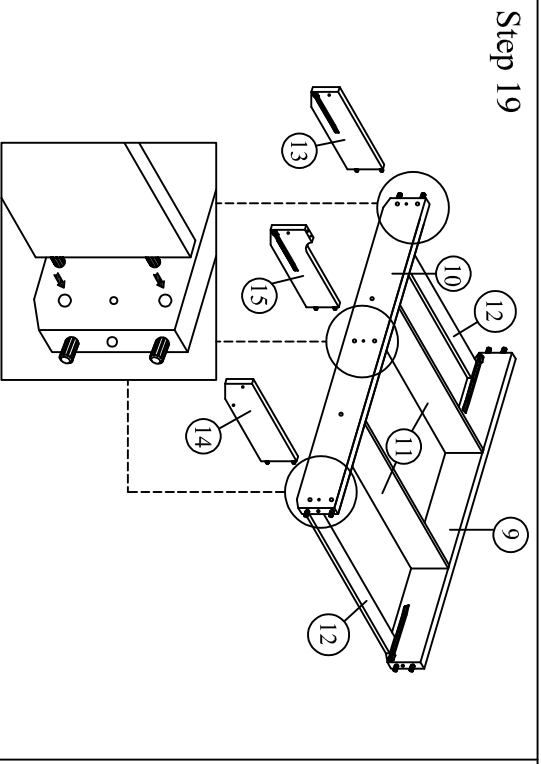


Step 17

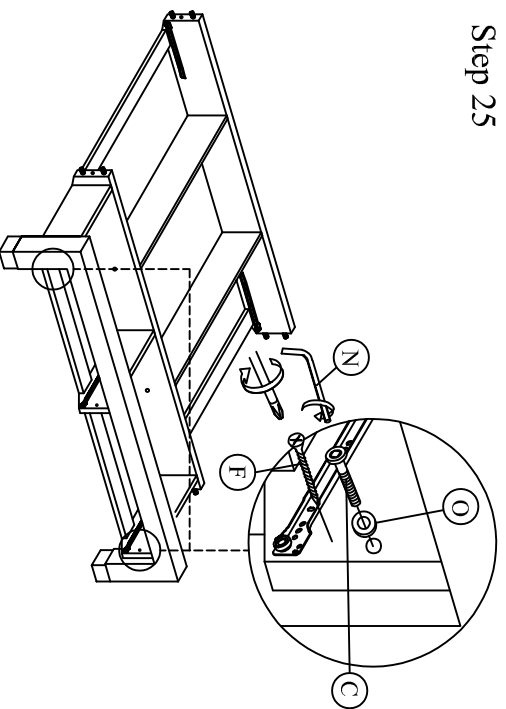


Step 18

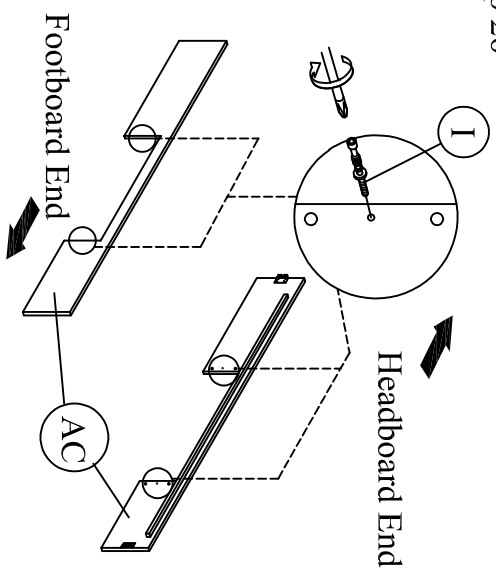




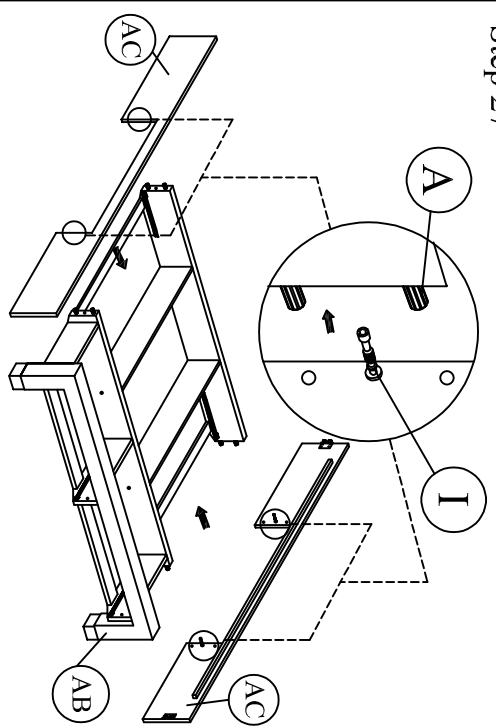
Step 25



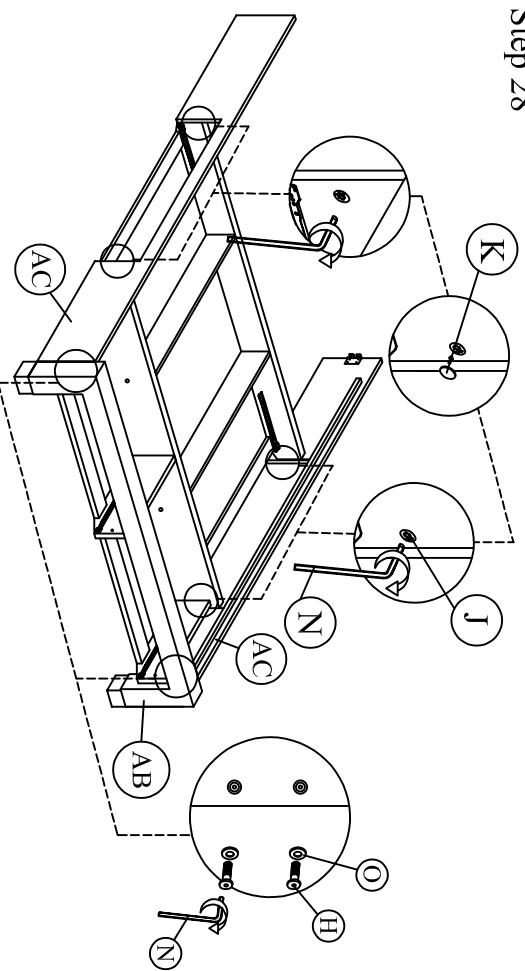
Step 26



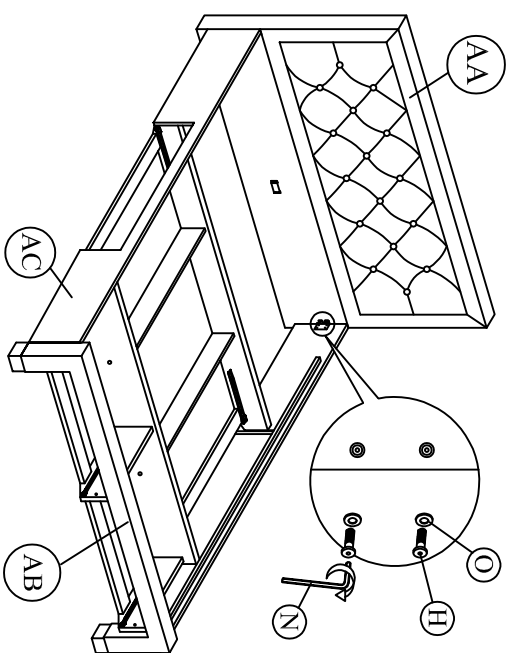
Step 27



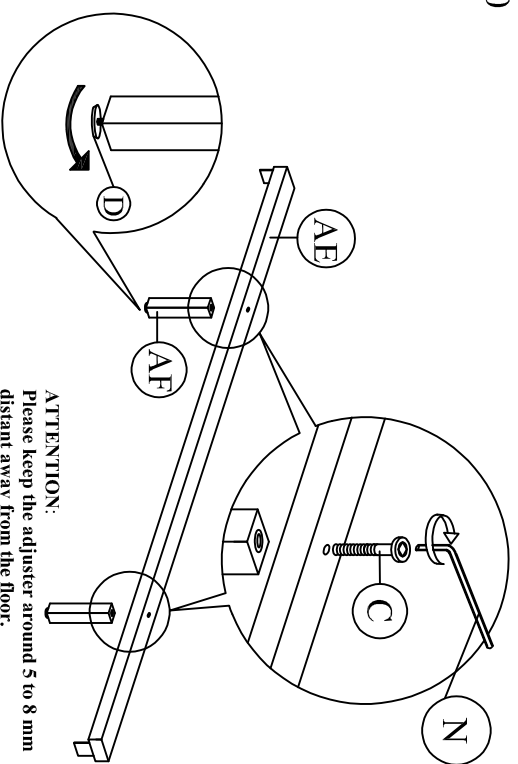
Step 28



Step 29

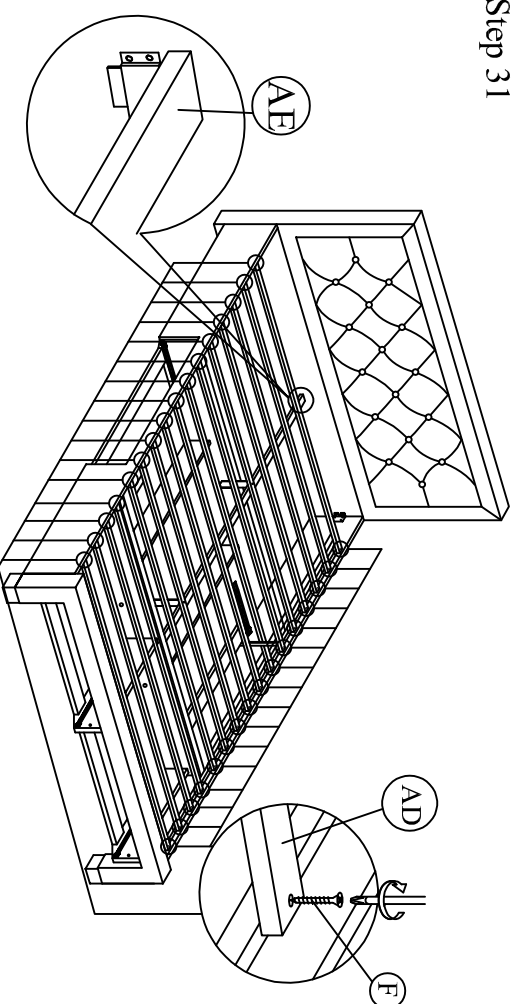


Step 30



ATTENTION:  
Please keep the adjuster around 5 to 8 mm  
distant away from the floor.

Step 31



Step 32

