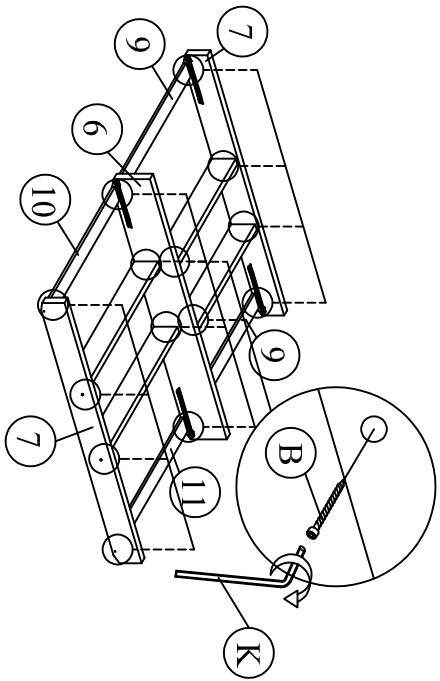
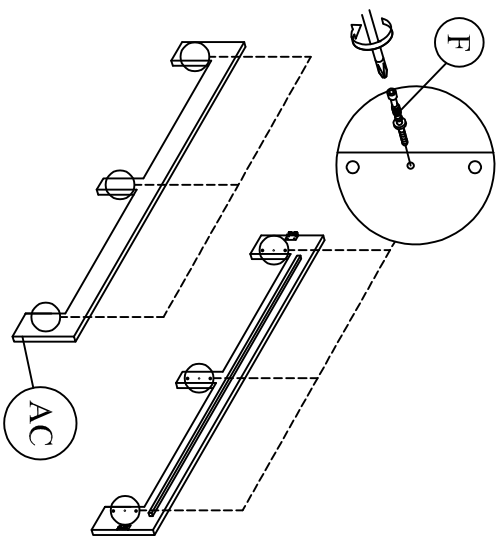


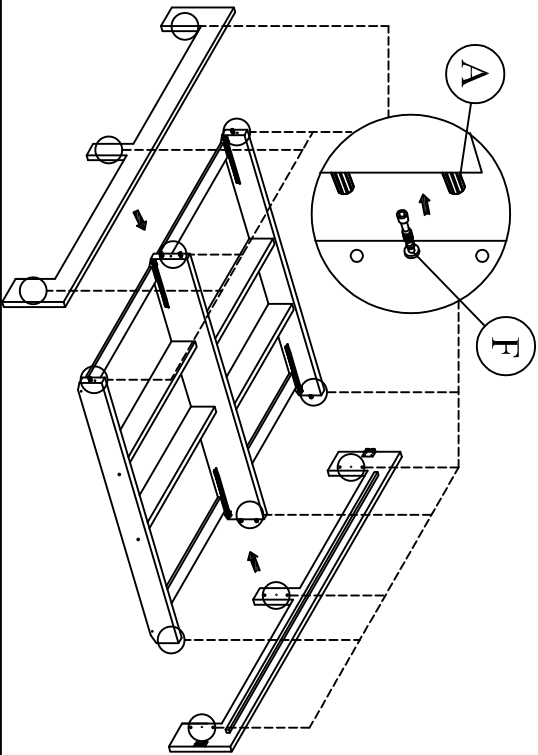
Step 13



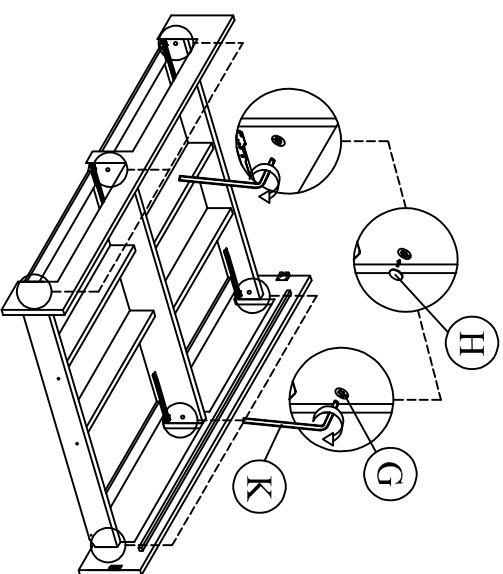
Step 14



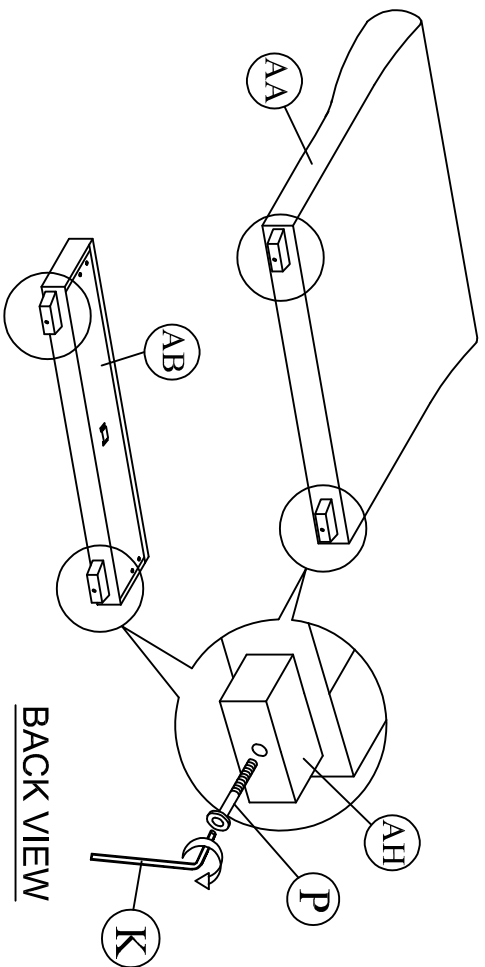
Step 15



Step 16

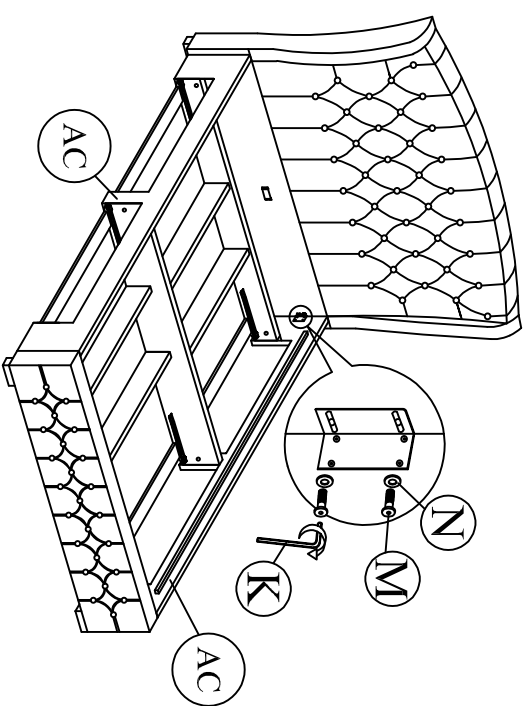


Step 17

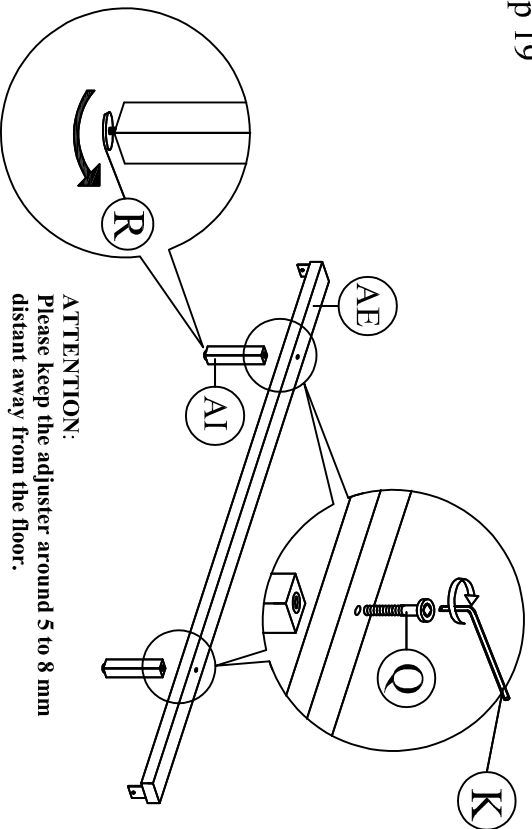


BACK VIEW

Step 18

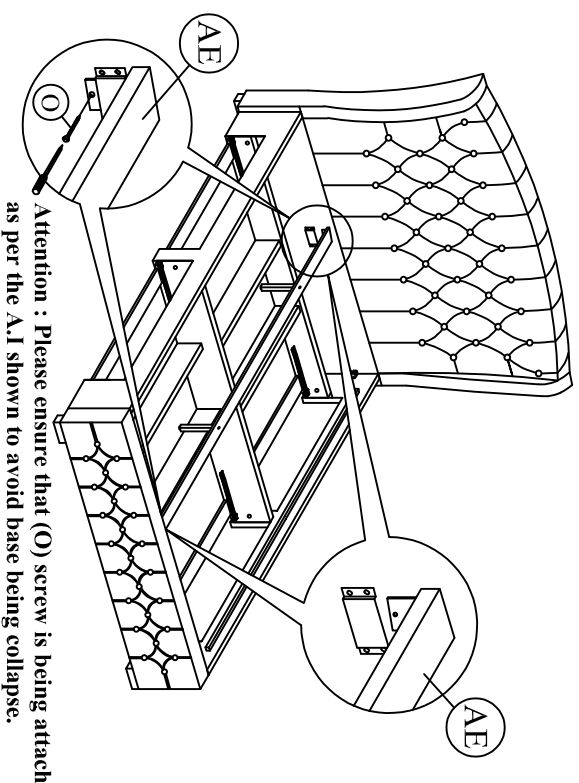


Step 19



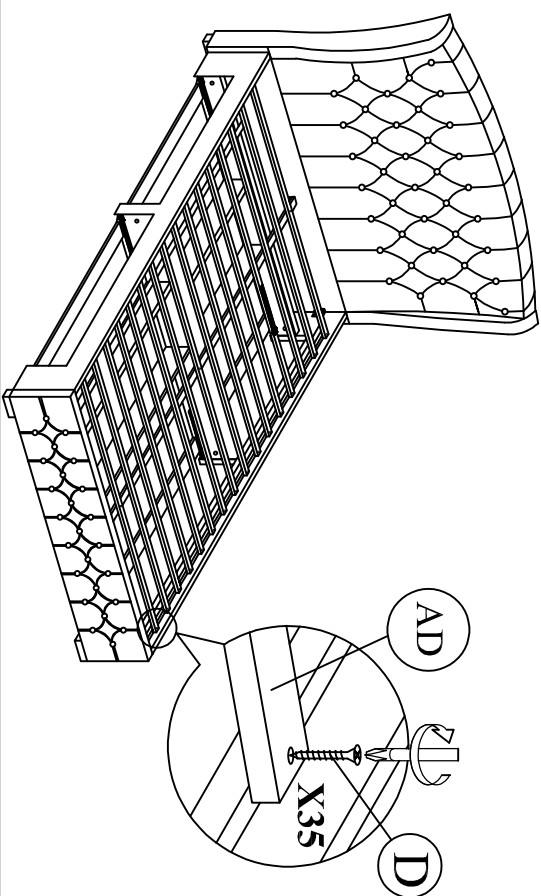
ATTENTION:
Please keep the adjuster around 5 to 8 mm distant away from the floor.

Step 20

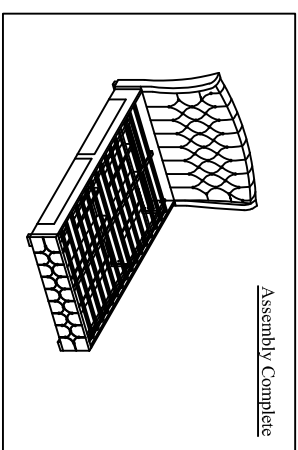
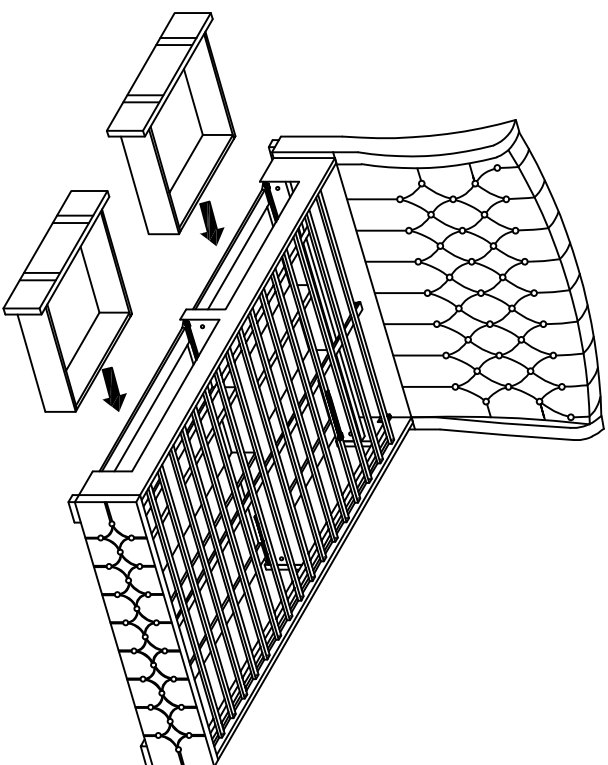


Attention : Please ensure that (O) screw is being attach as per the A.I shown to avoid base being collapse.

Step 21



Step 22



Assembly Complete