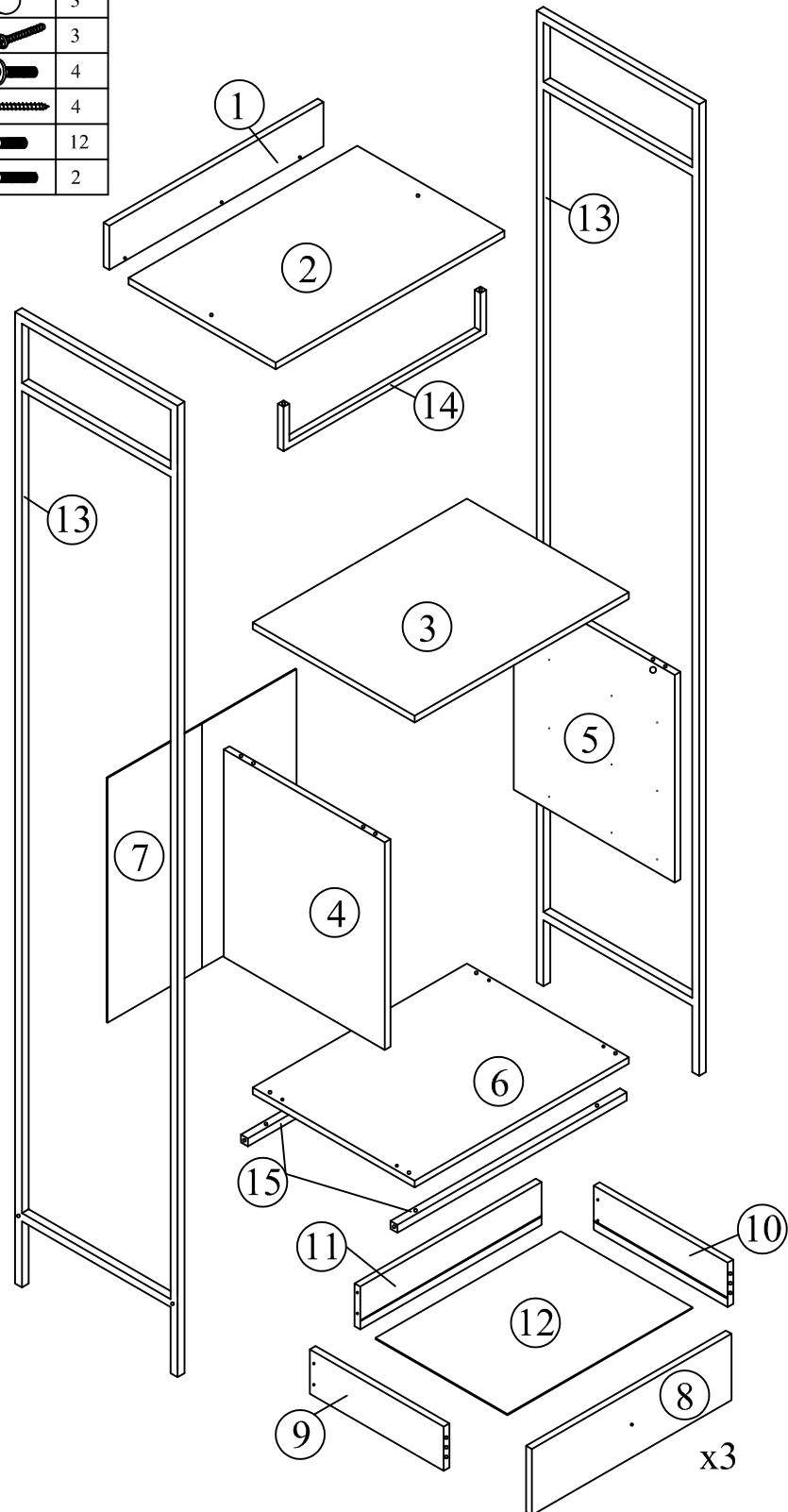
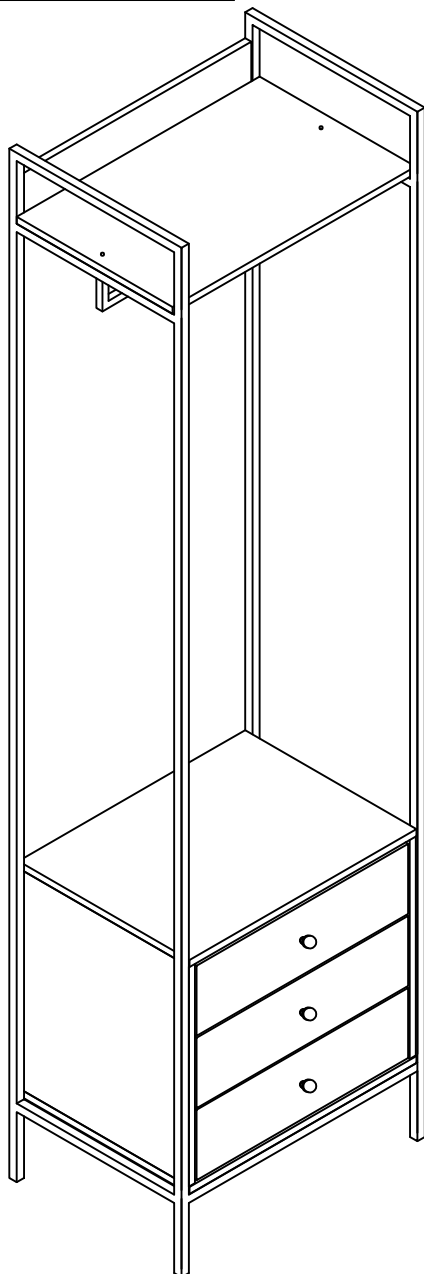


Assembly Instructions

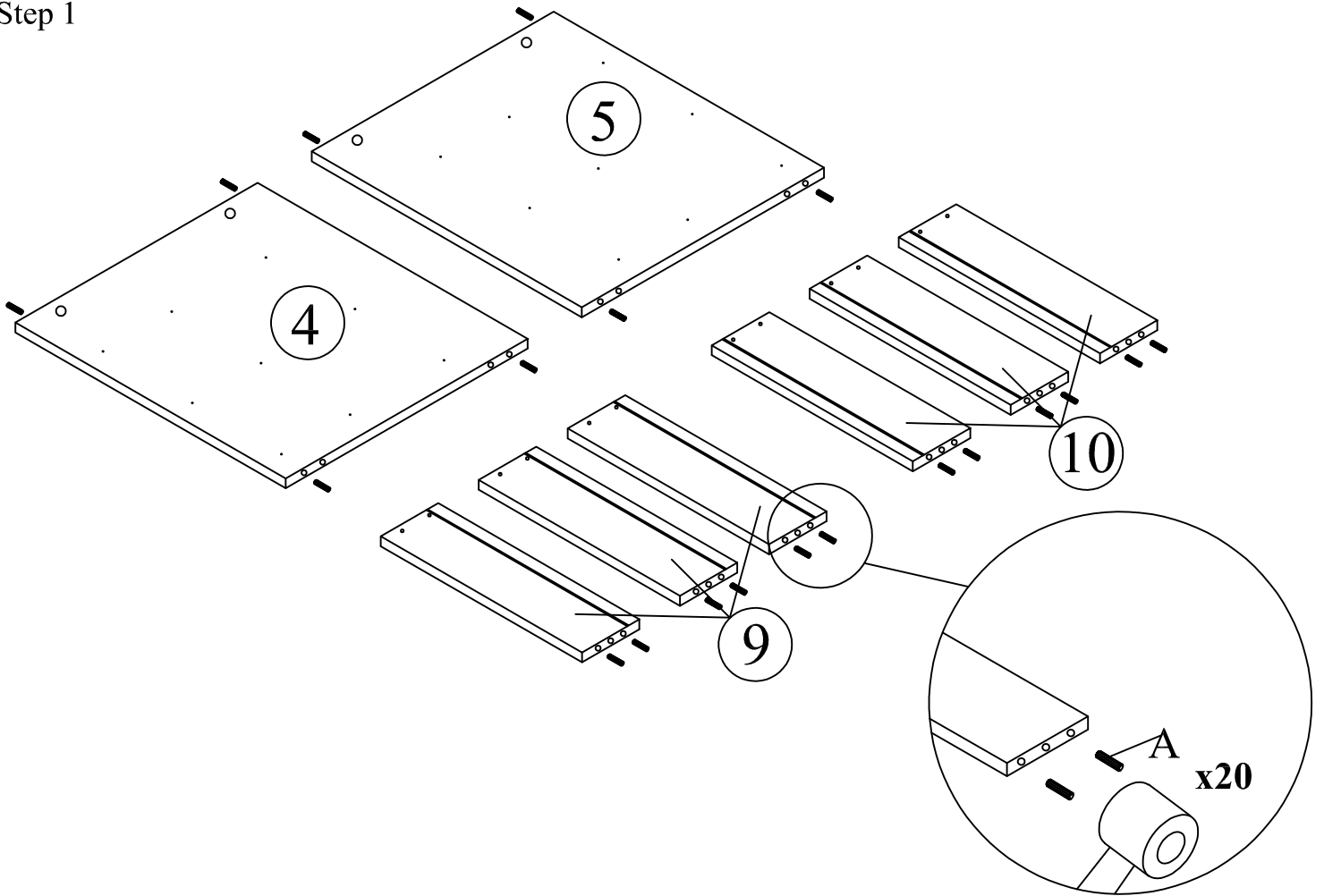
ECOLIFE
MODEL : CR 8001-ELIZA ROBES SERIES CLOTHING RACK

Part List	QTY
1 Top Support Panel	1
2 Top Clothing Panel	1
3 Top Panel	1
4 Left Side Panel	1
5 Right Side Panel	1
6 Bottom Panel	1
7 Back Panel	1
8 Drawer Front Panel	3
9 Drawer Left Side Panel	3
10 Drawer Right Side Panel	3
11 Drawer Back Panel	3
12 Drawer Bottom Panel	3
13 Metal Legs	2
14 Clothing Hanger	1
15 Metal Support	2

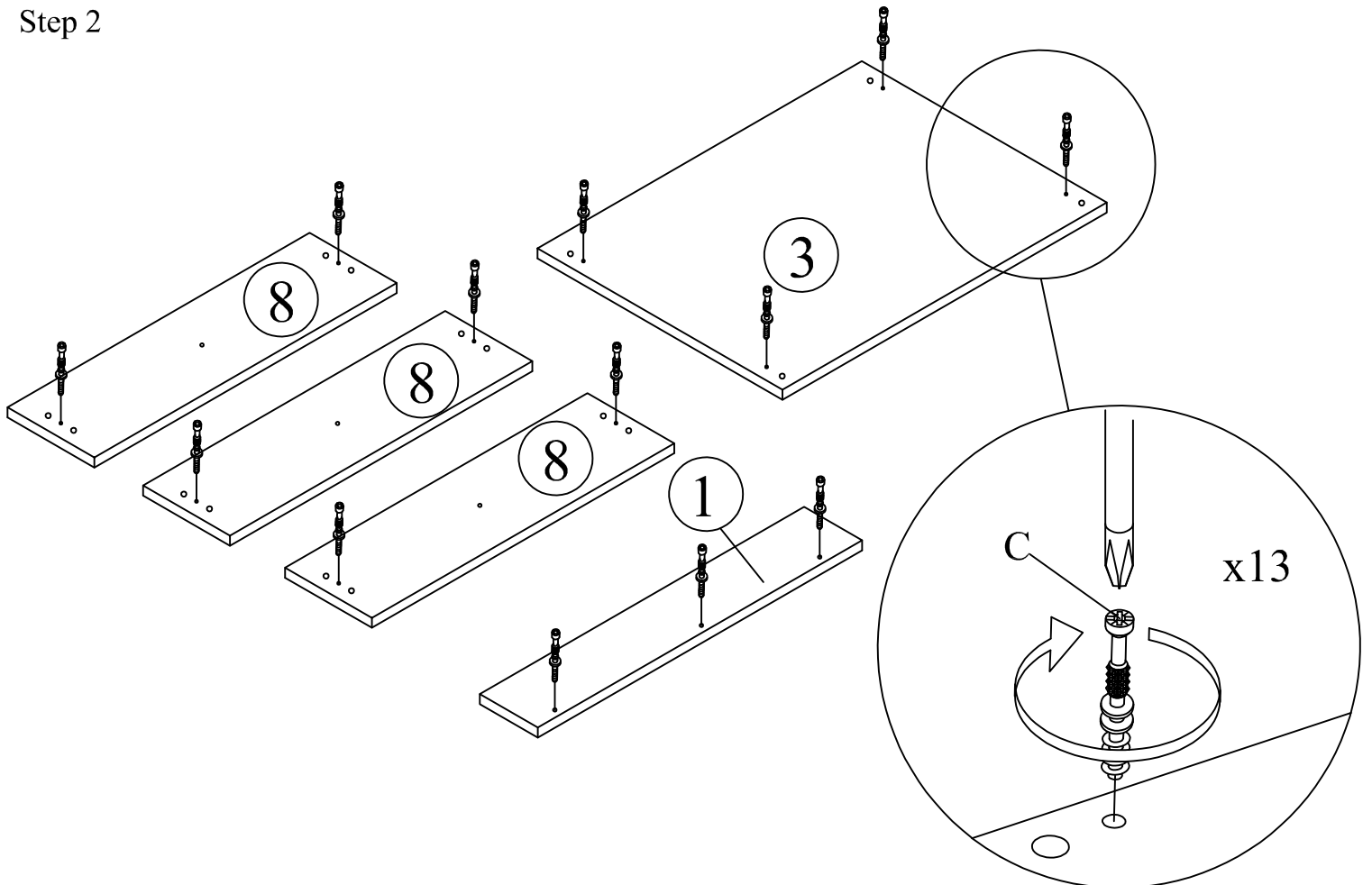
Hardware	QTY
A Allen Key M4	1
B Wood Dowel M8 x 25mm	20
C Mini Fix Bolt	13
D Mini Fix Housing	13
E Mini Fix Cap	13
F CSK Screw M4x50mm	12
G CSK Screw M3.5x16mm	36
H Drawer Slide	3 SET
I Nail	12
J Handle	3
K Handle Screw M4x20mm	3
L JCBC Screw M6x50 + M6 Flat Washer	4
M JCBC W Screw M6x40	4
N JCBC M6 x 30	12
O JCBC M6 x 50	2



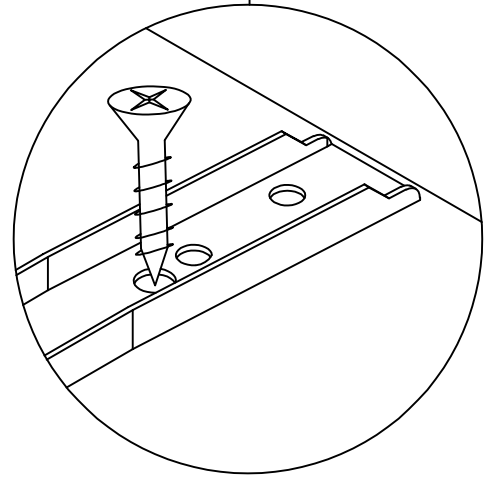
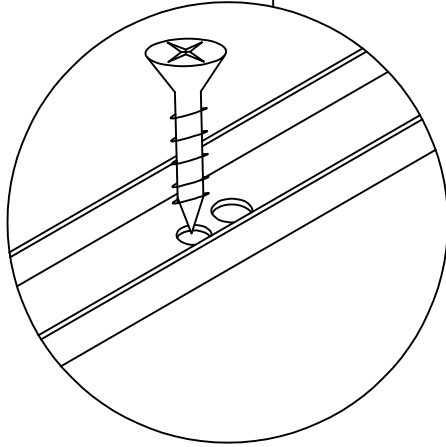
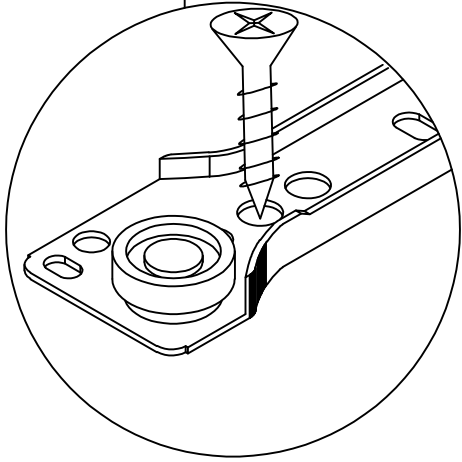
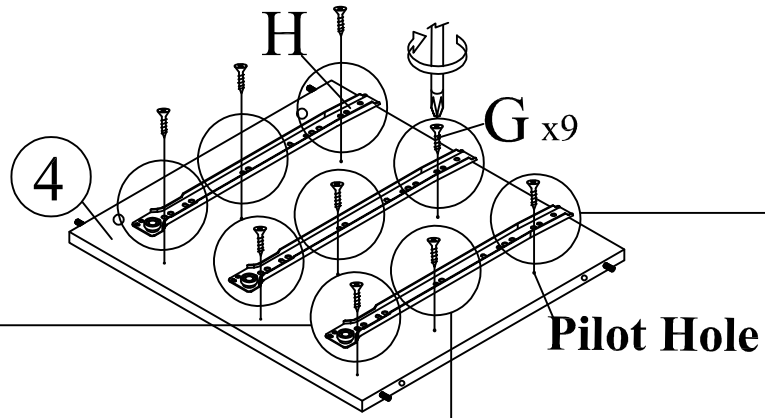
Step 1



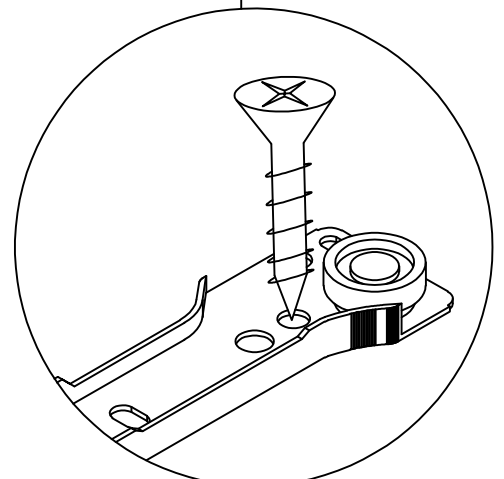
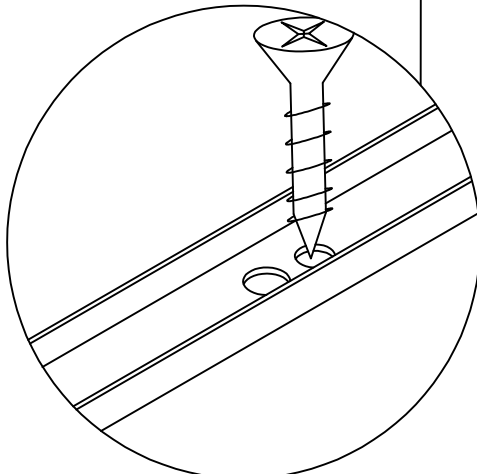
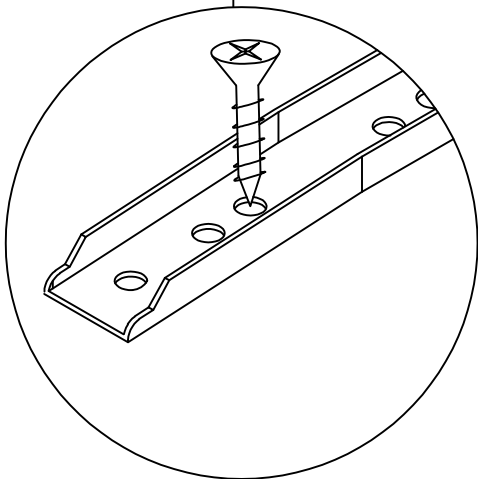
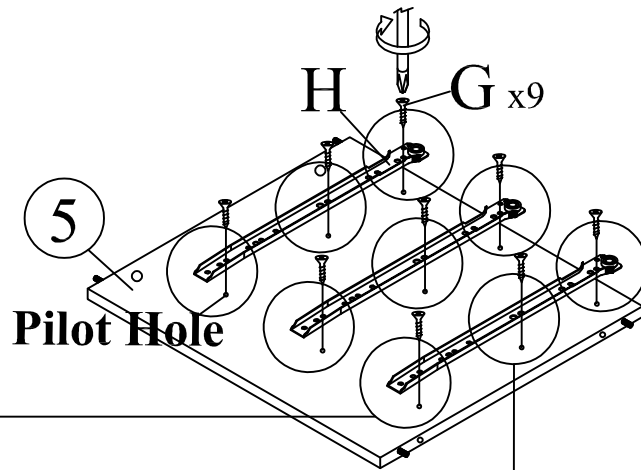
Step 2



Step 3




Step 4



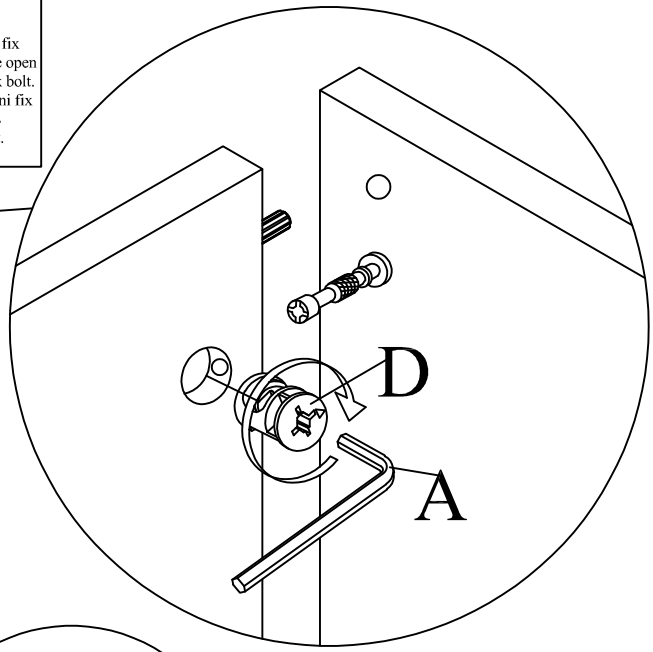
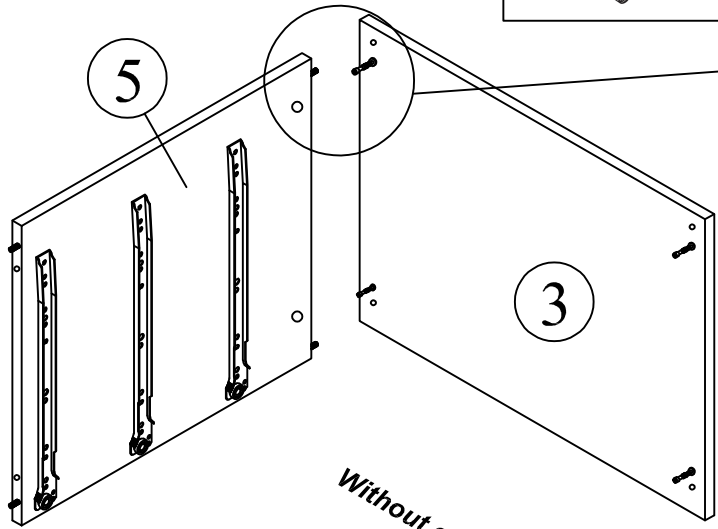
Step 5

BACK VIEW

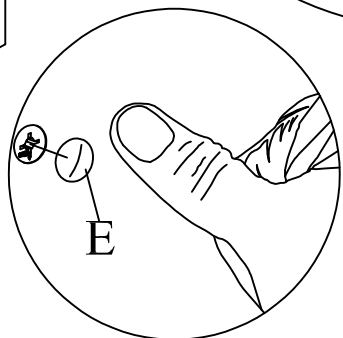
This is how a mini fix works...



The head of the mini fix housing goes into the open mouth of the mini fix bolt. You then turn the mini fix housing so it tightens over the mini fix bolt.



Without edging / veneer facing upwards ↑

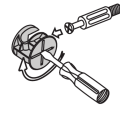


***Attach Minifix Cap as shown.**

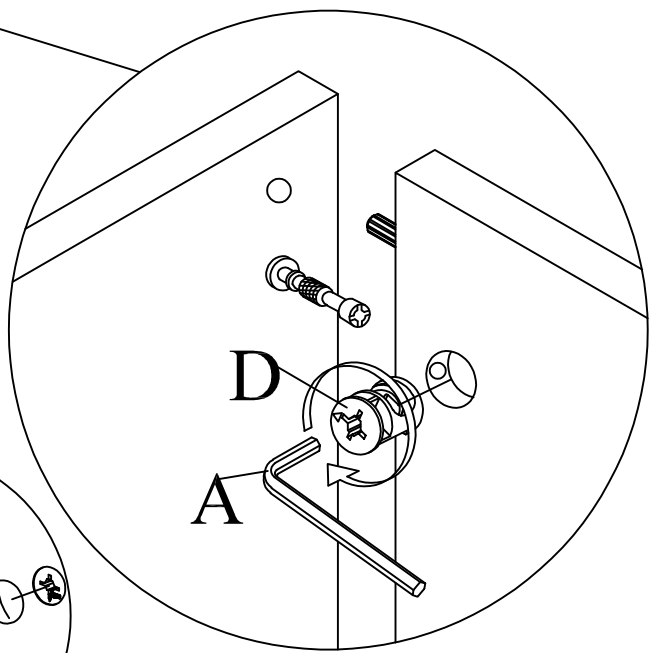
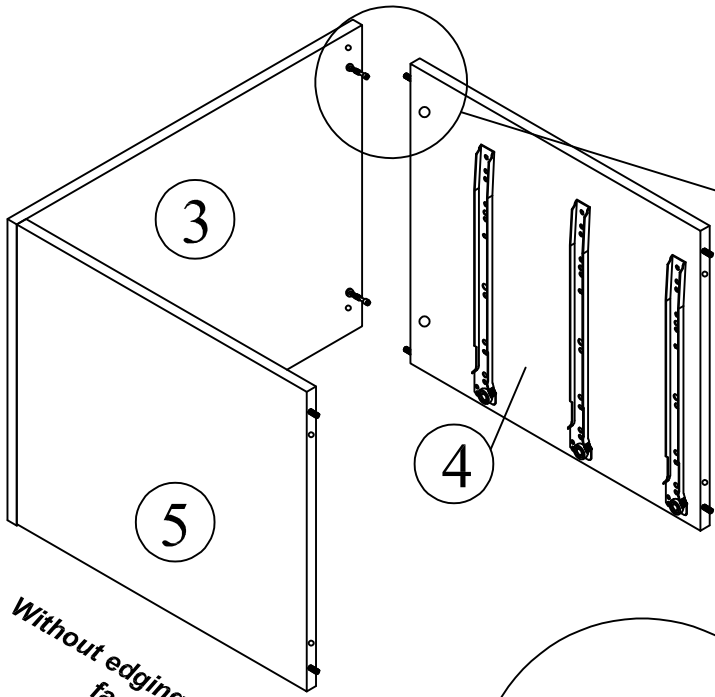
Step 6

BACK VIEW

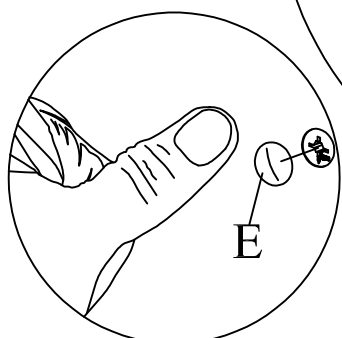
This is how a mini fix works...



The head of the mini fix housing goes into the open mouth of the mini fix bolt. You then turn the mini fix housing so it tightens over the mini fix bolt.



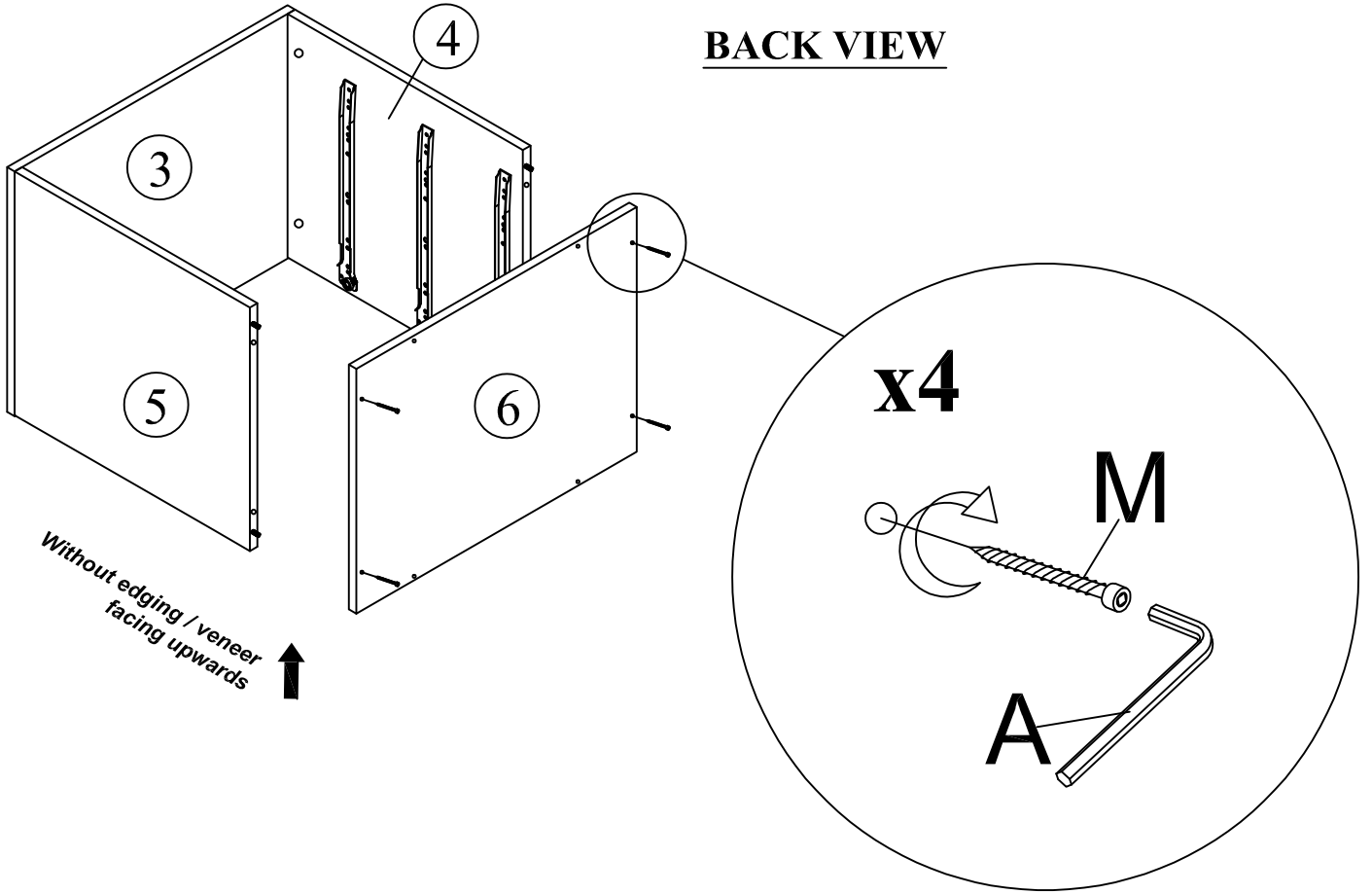
Without edging / veneer facing upwards ↑



***Attach Minifix Cap as shown.**

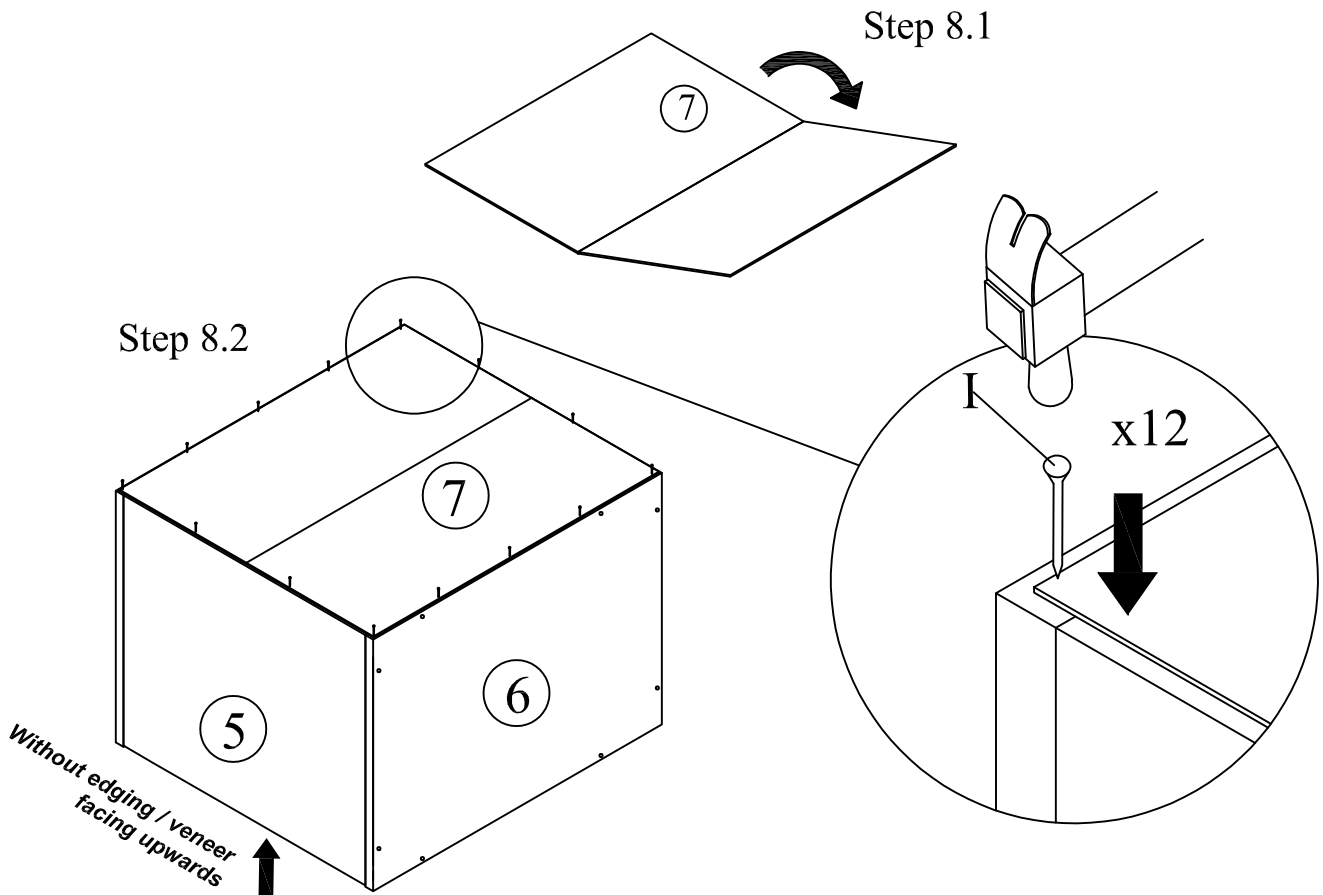
Step 7

BACK VIEW



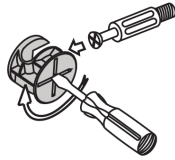
Step 8

BACK VIEW

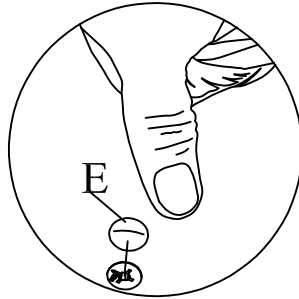
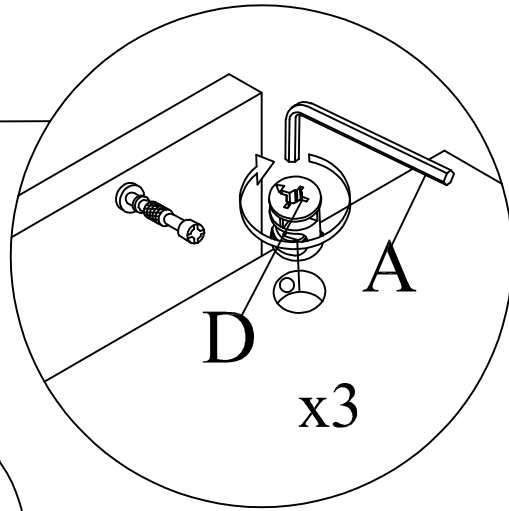
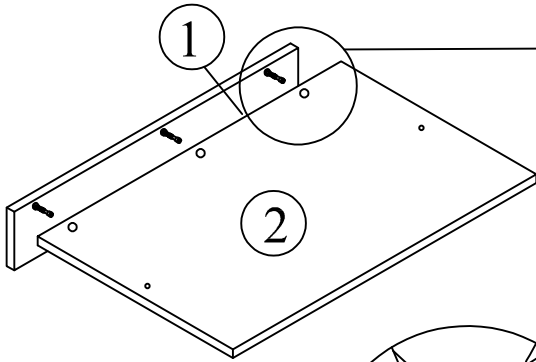


Step 9

This is how a mini fix works...

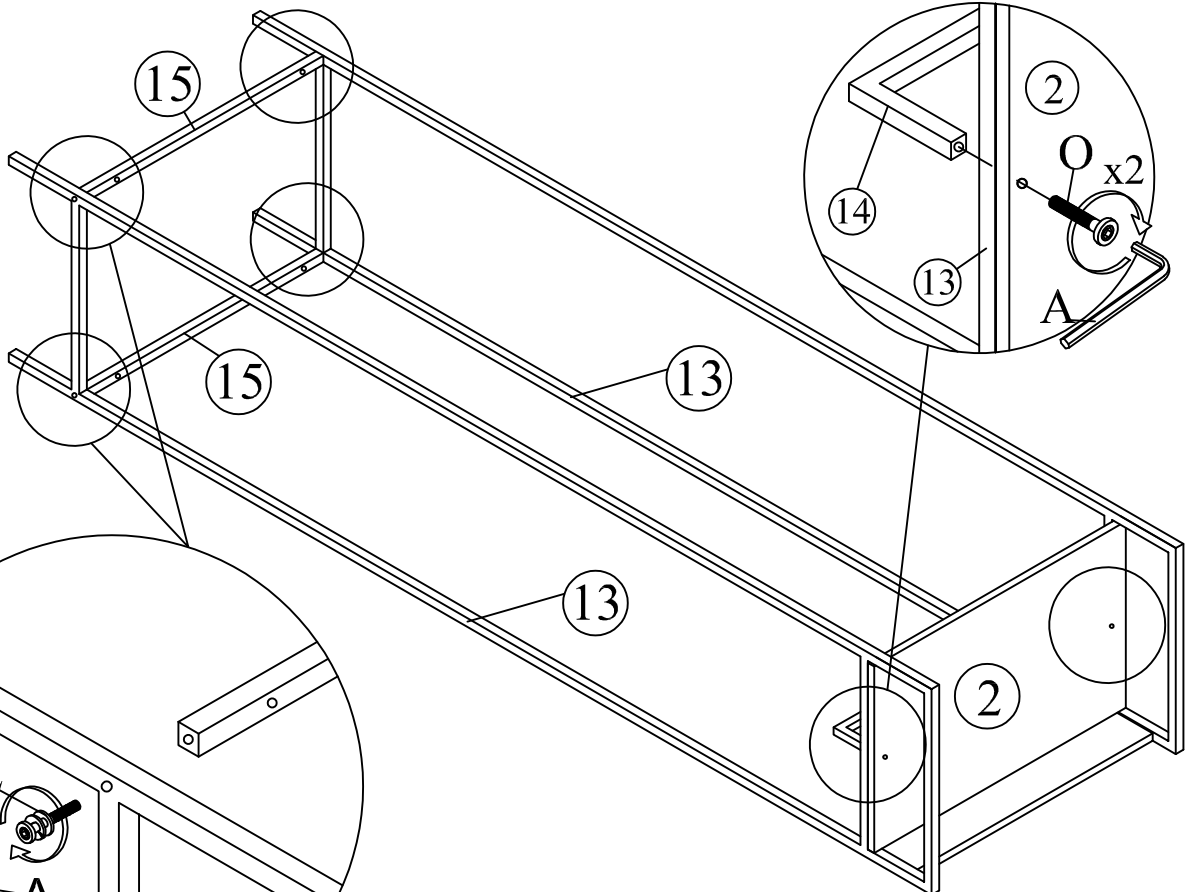


The head of the mini fix housing goes into the open mouth of the mini fix bolt. You then turn the mini fix housing so it tightens over the mini fix bolt.

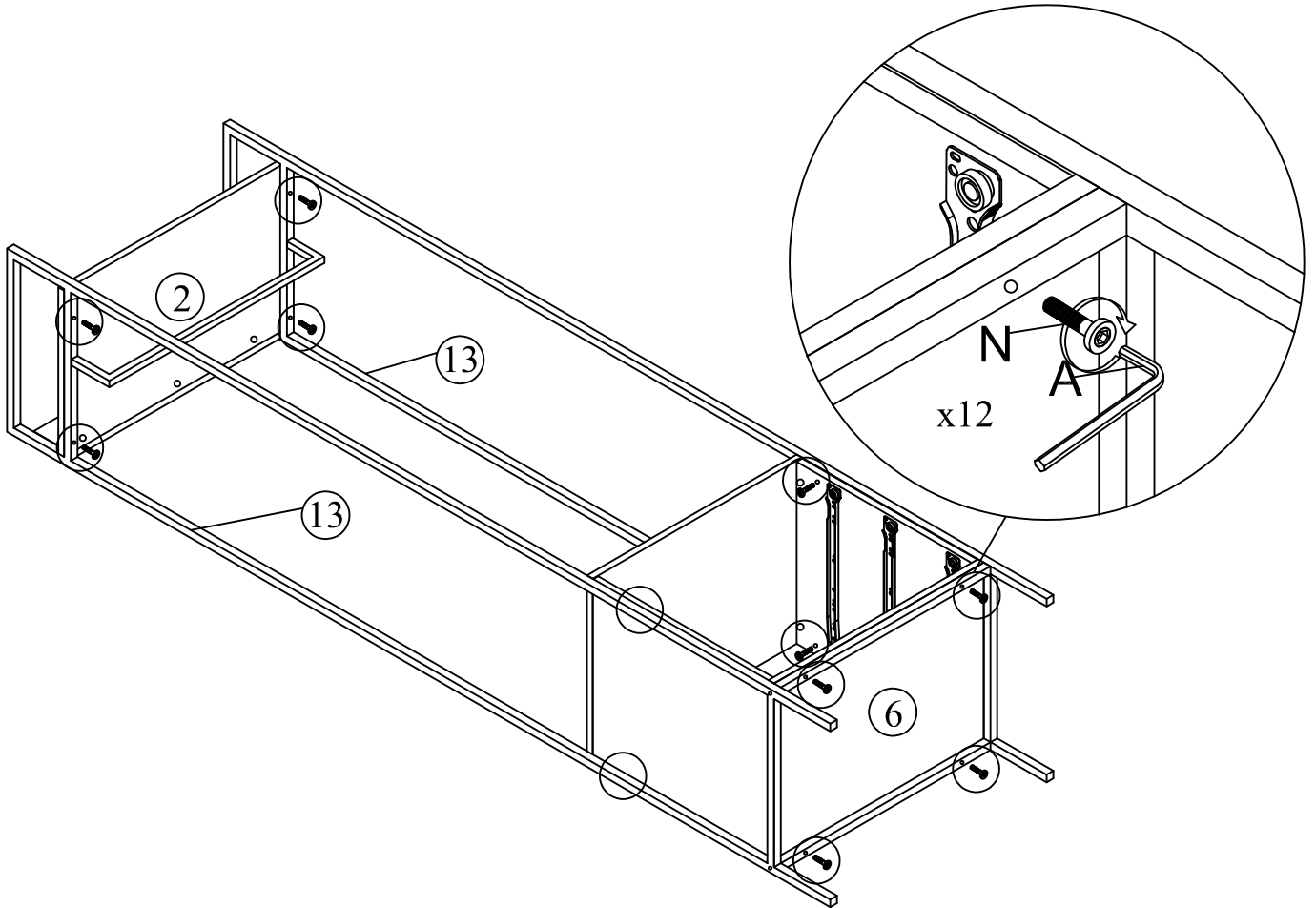


**Attach Minifix Cap as shown.*

Step 10

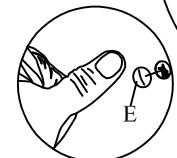
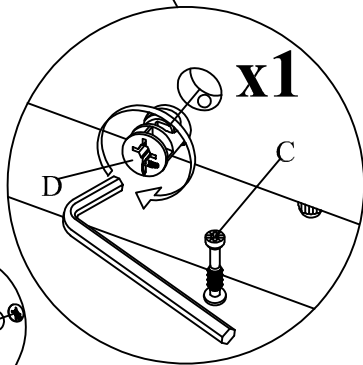
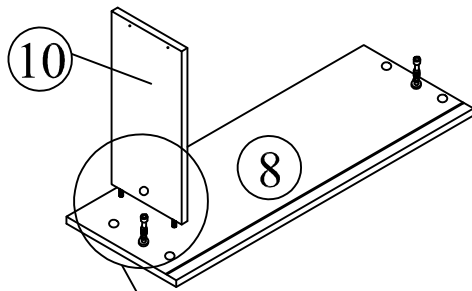


Step 11



Step 12

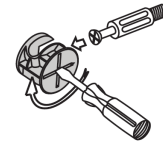
Step 12.1



*Attach Minifix Cap as shown.

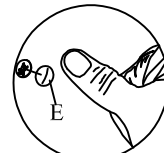
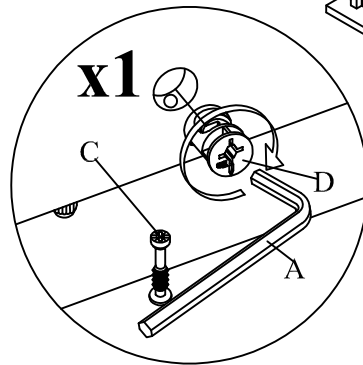
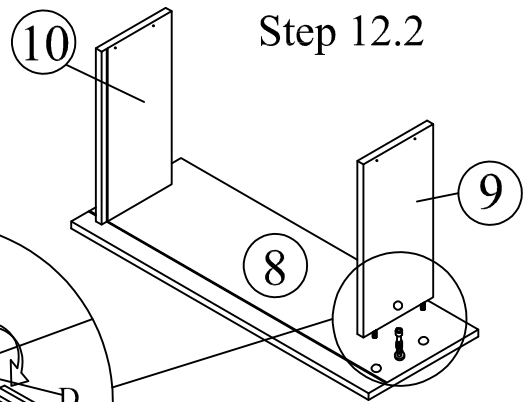
This is how a mini fix works...

The head of the mini fix housing goes into the open mouth of the mini fix bolt. You then turn the mini fix housing so it tightens over the mini fix bolt.



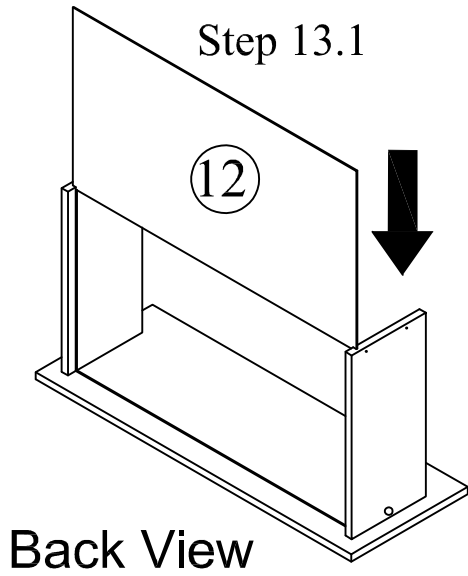
x3

Step 12.2

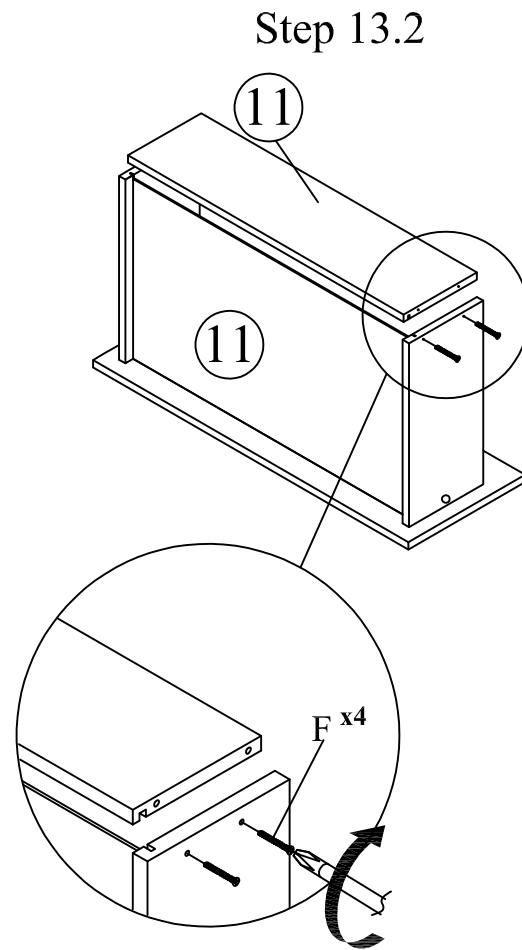


*Attach Minifix Cap as shown.

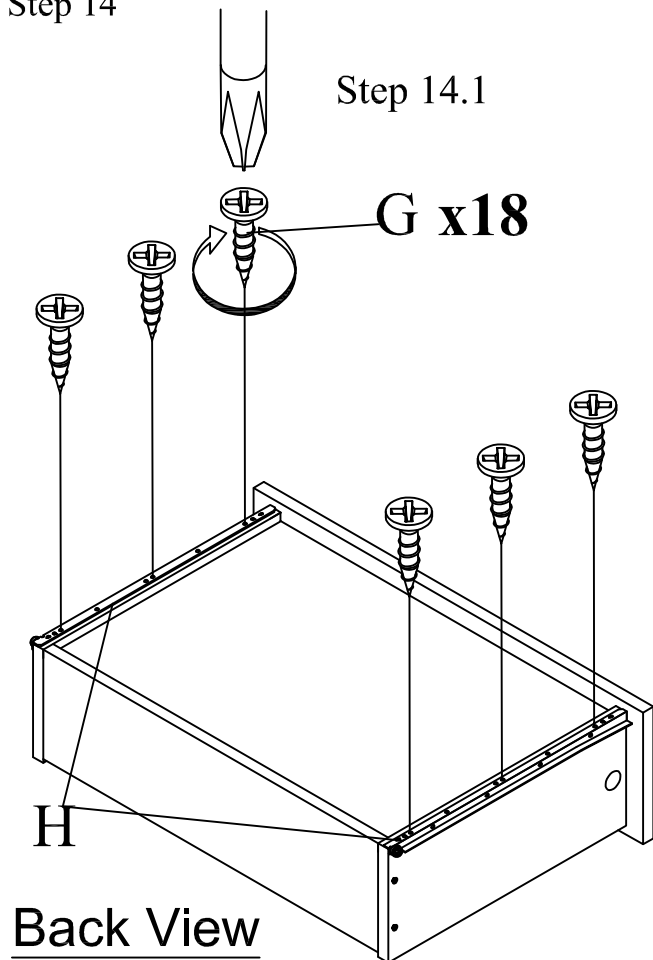
Step 13



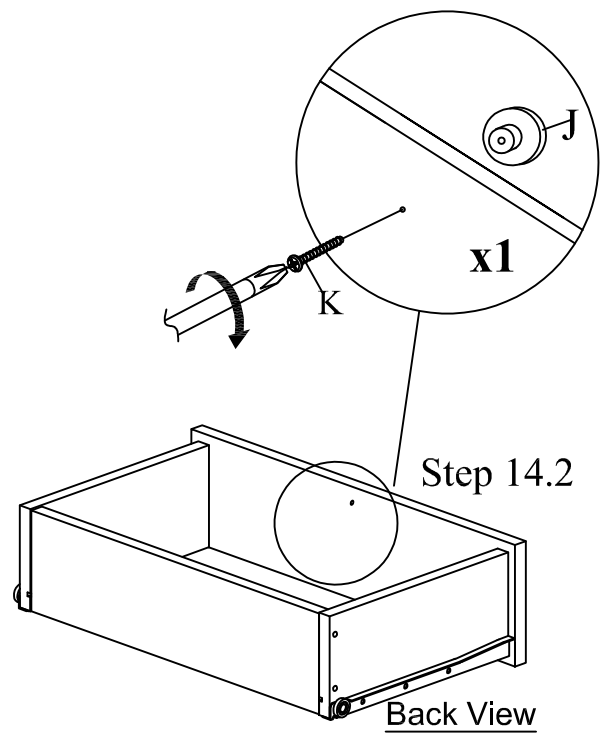
x3



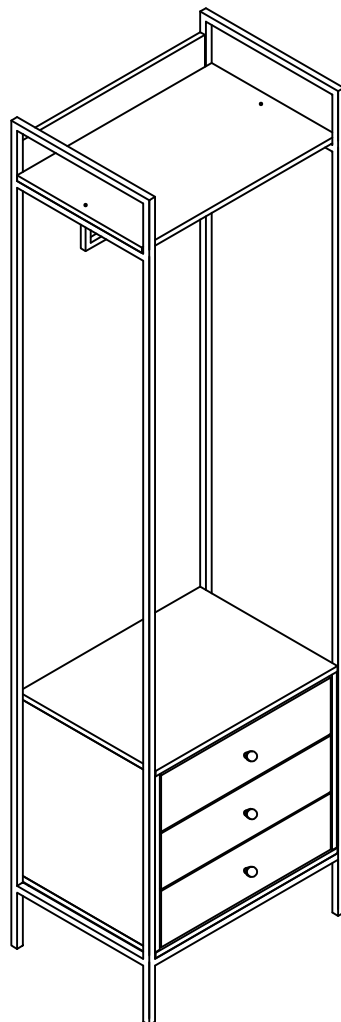
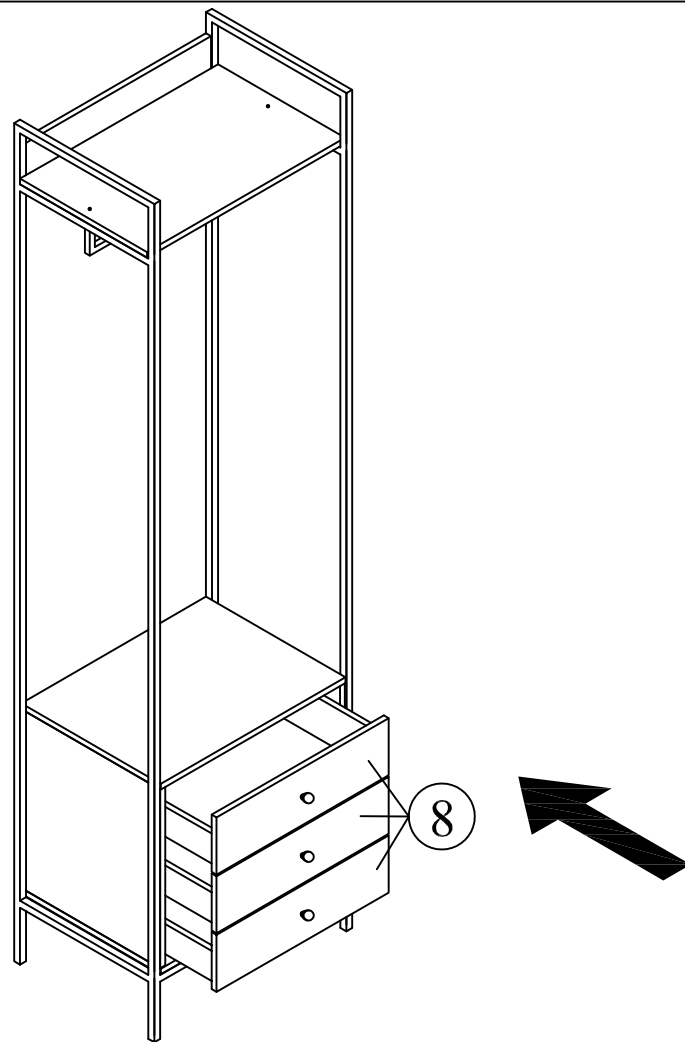
Step 14



x3



Step 15



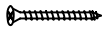
Anti -
Tipping

(A)



CSK Screw
M3.5x16mm
1PC

(B)



CSK Screw
M4x50mm
1PC

(C)

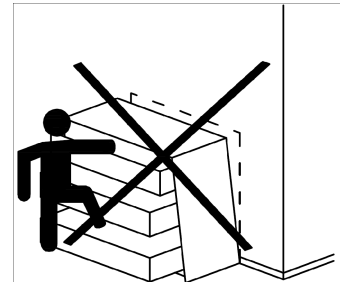
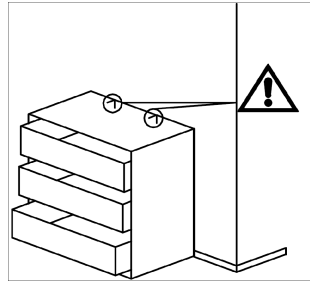


L BRACKET
2PCS

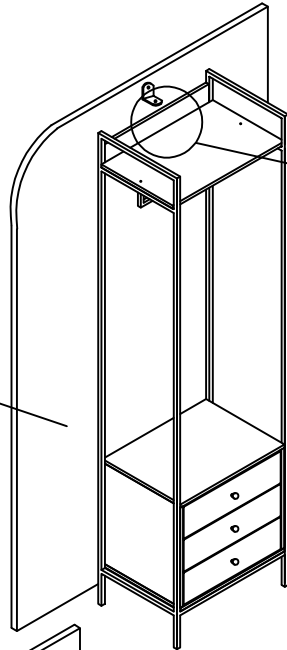
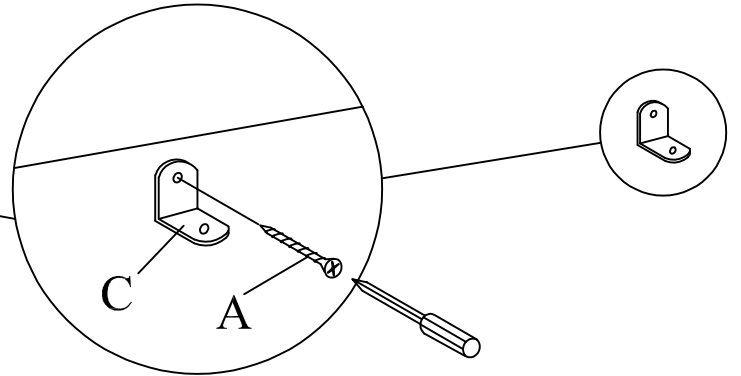
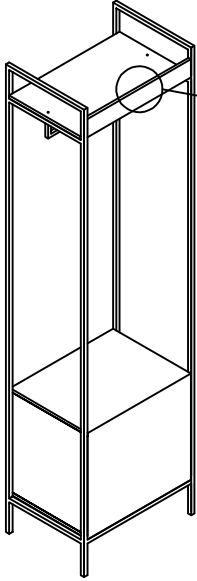
(D)



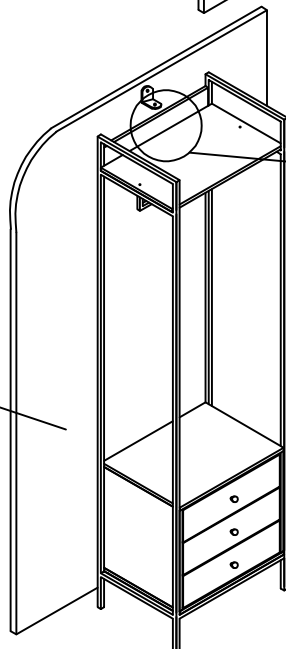
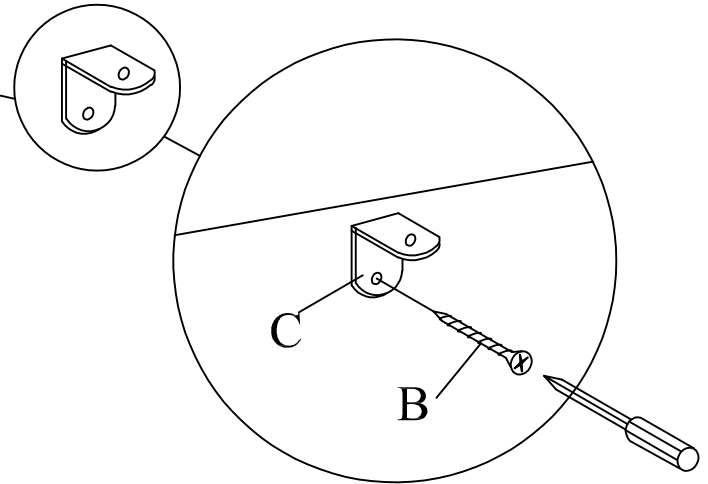
CABLE TIE
1PC



BACK VIEW



WALL



WALL

