



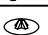


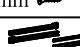









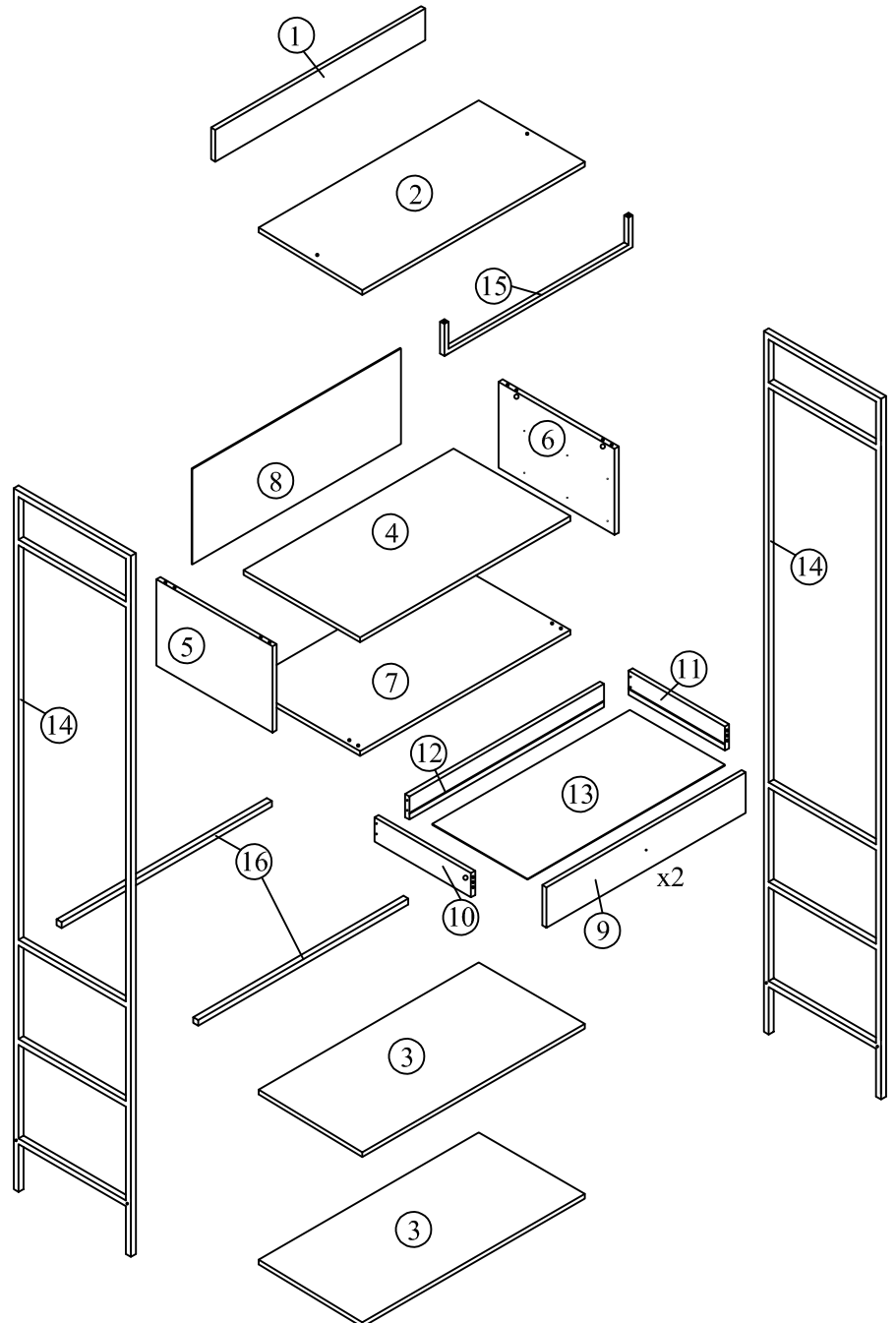
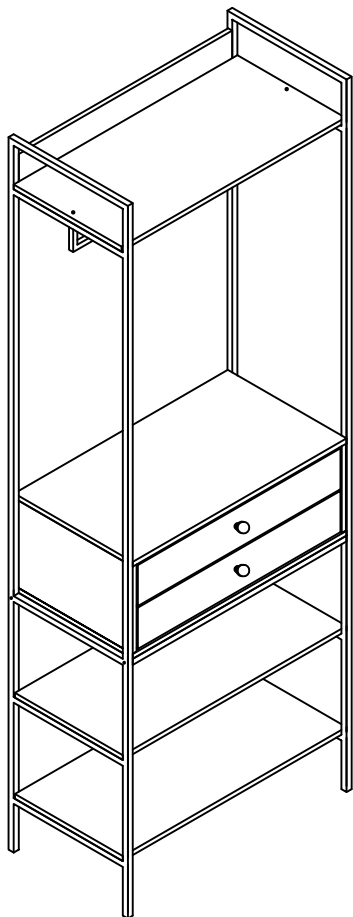
Assembly Instructions

ECOLIFE

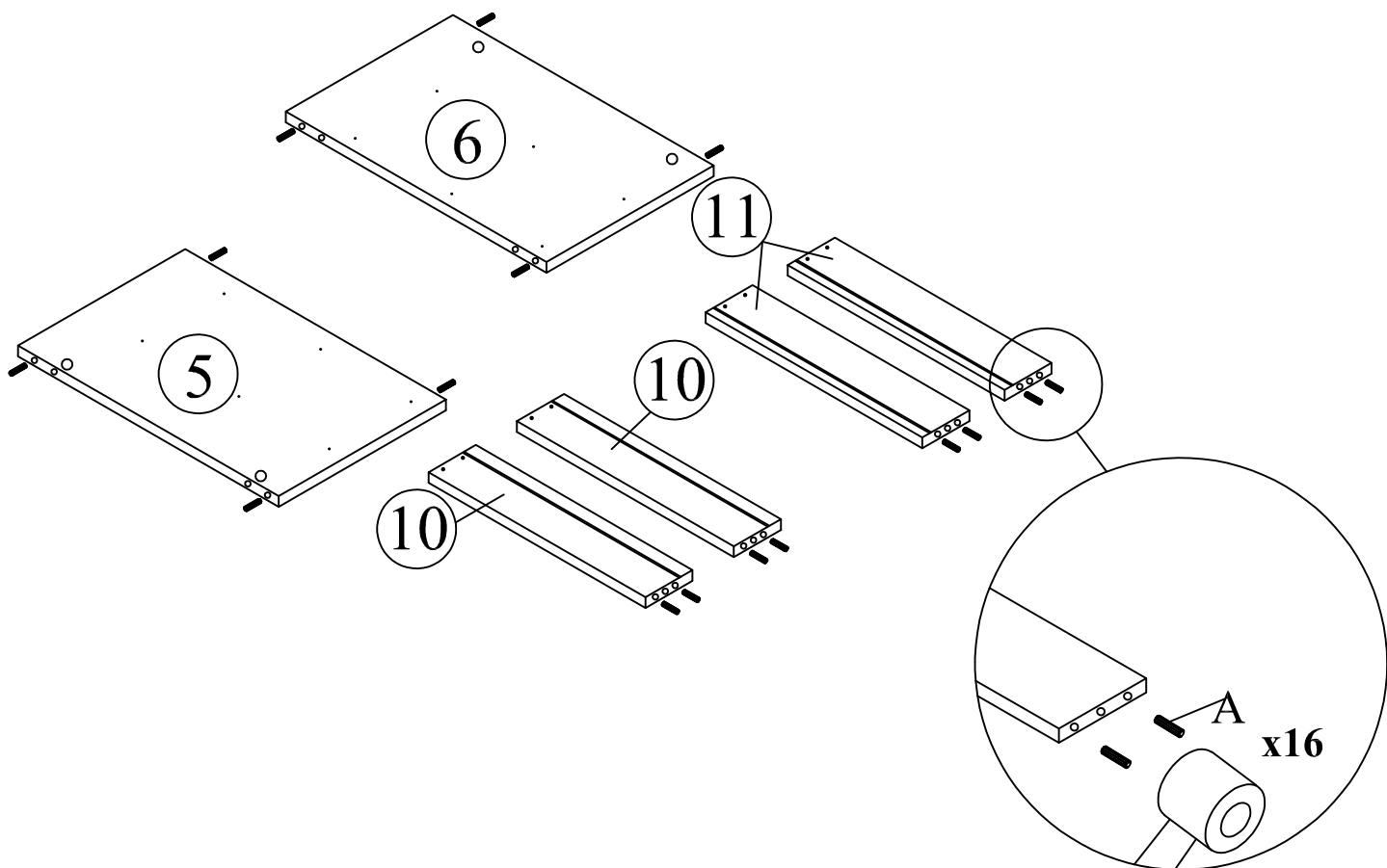
MODEL : CR 8002-ELIZA ROBES SERIES CLOTHING RACK

Part List	QTY
1 Top Support Panel	1
2 Top Clothing Panel	1
3 Shelf Panel	2
4 Top Panel	1
5 Left Side Panel	1
6 Right Side Panel	1
7 Bottom Panel	1
8 Back Panel	1
9 Drawer Front Panel	2
10 Drawer Left Side Panel	2
11 Drawer Right Side Panel	2
12 Drawer Back Panel	2
13 Drawer Bottom Panel	2
14 Metal Legs	2
15 Clothing Hanger	1
16 Metal Support	2

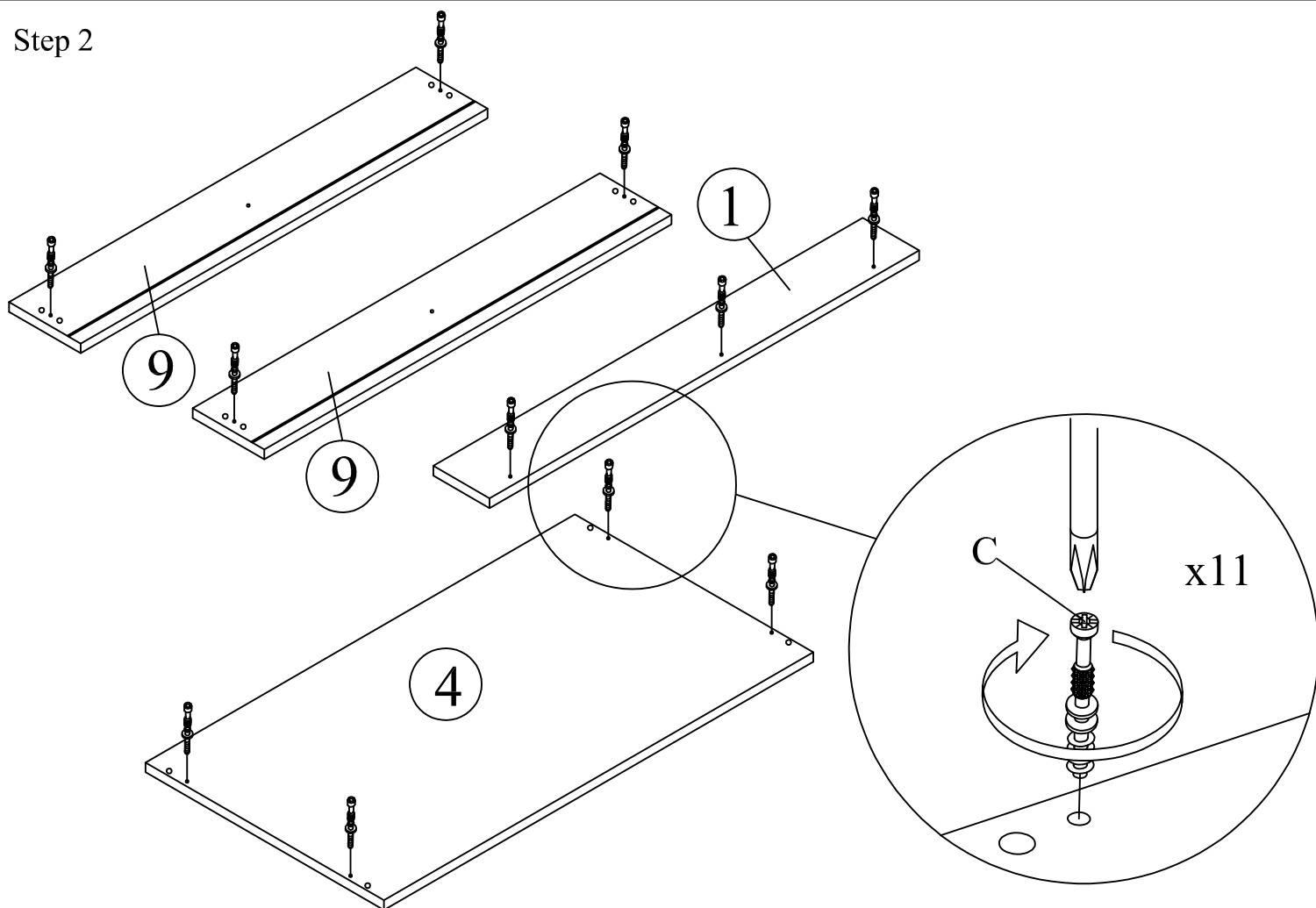
Hardware	QTY
A Allen Key M4 	1
B Wood Dowel M8 x 25mm 	16
C Mini Fix Bolt 	11
D Mini Fix Housing 	11
E Mini Fix Cap 	11
F CSK Screw M4x50mm 	8
G CSK Screw M3.5x16mm 	24
H Drawer Slide 	2 SET
I Nail 	20
J Handle 	2
K Handle Screw M4x20mm 	2
L JCBC Screw M6x50 + M6 Flat Washer 	4
M JCBC W Screw M6x40 	4
N JCBC M6 x 30 	20
O JCBC M6 x 50 	2



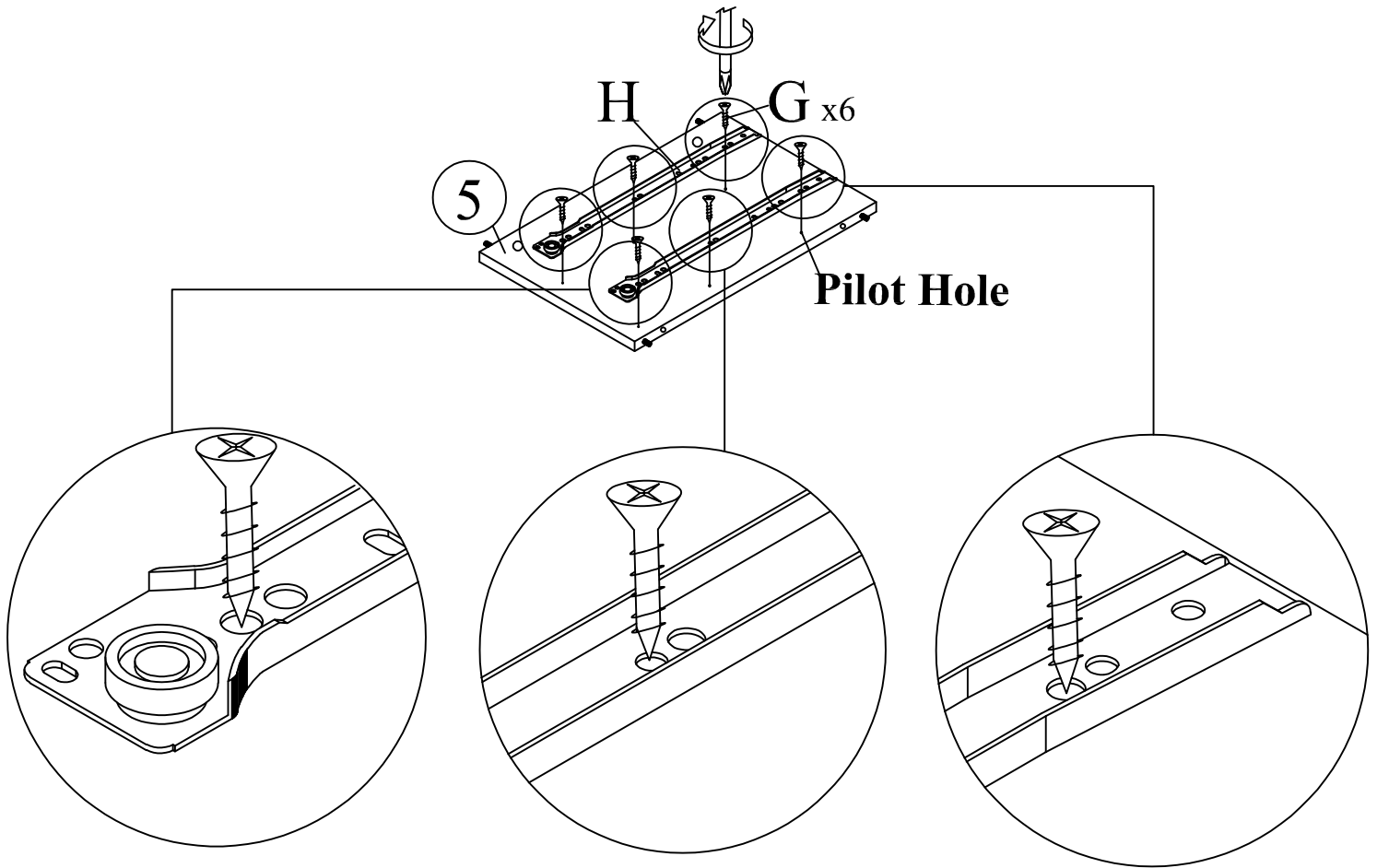
Step 1



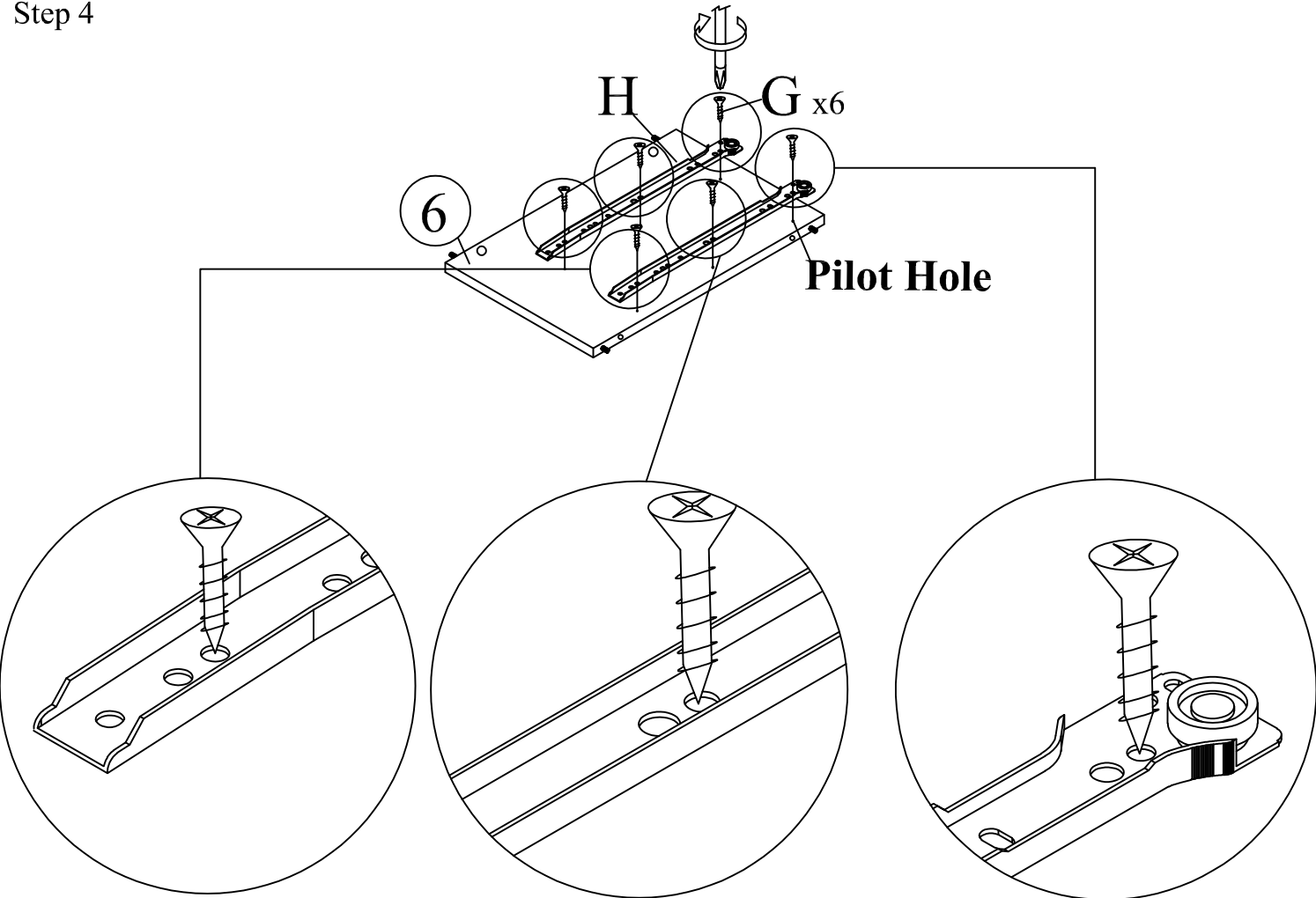
Step 2



Step 3



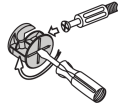
Step 4



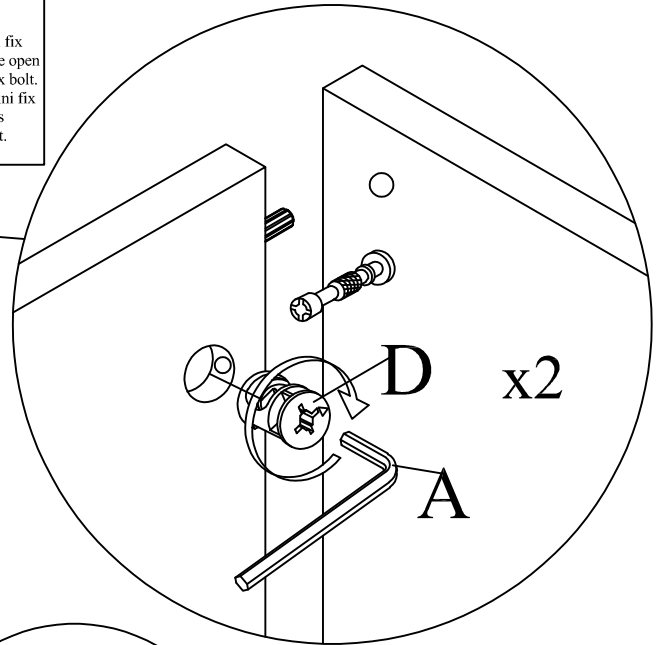
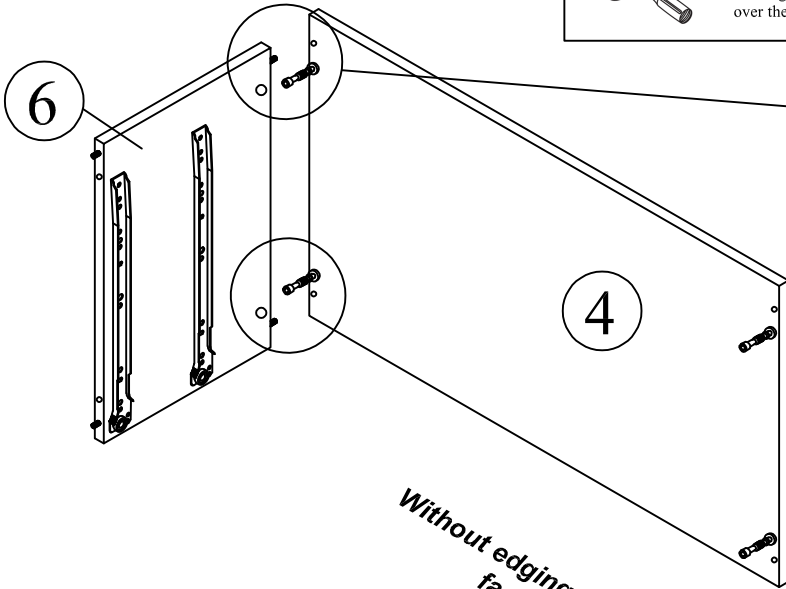
Step 5

BACK VIEW

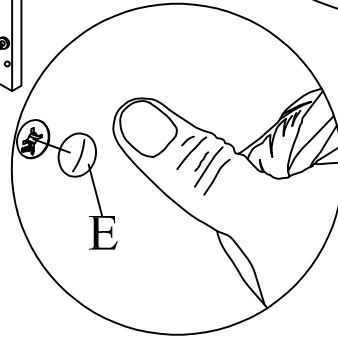
This is how a mini fix works...



The head of the mini fix housing goes into the open mouth of the mini fix bolt. You then turn the mini fix housing so it tightens over the mini fix bolt.



Without edging / veneer facing upwards

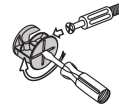


*Attach Minifix Cap as shown.

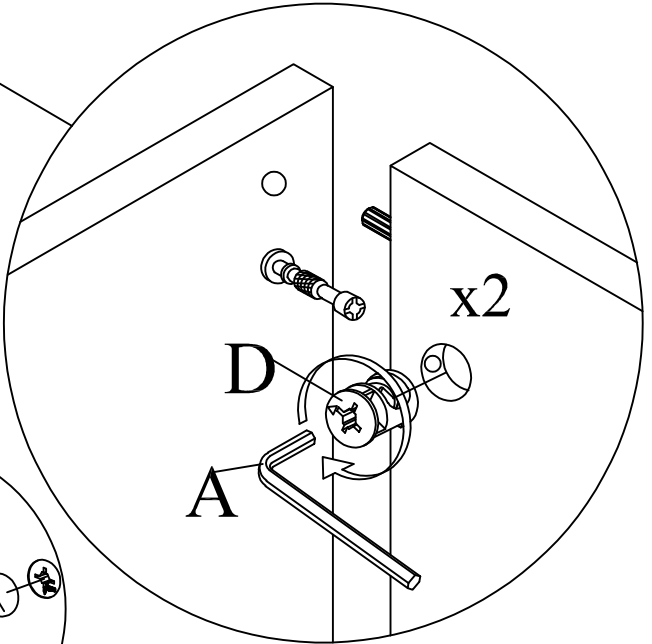
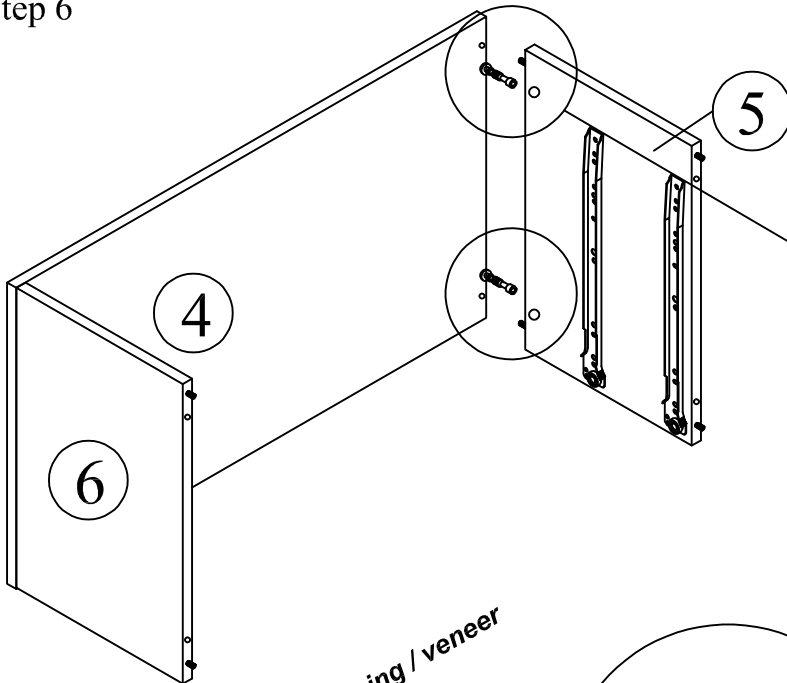
Step 6

BACK VIEW

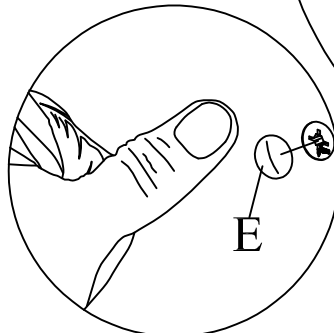
This is how a mini fix works...



The head of the mini fix housing goes into the open mouth of the mini fix bolt. You then turn the mini fix housing so it tightens over the mini fix bolt.



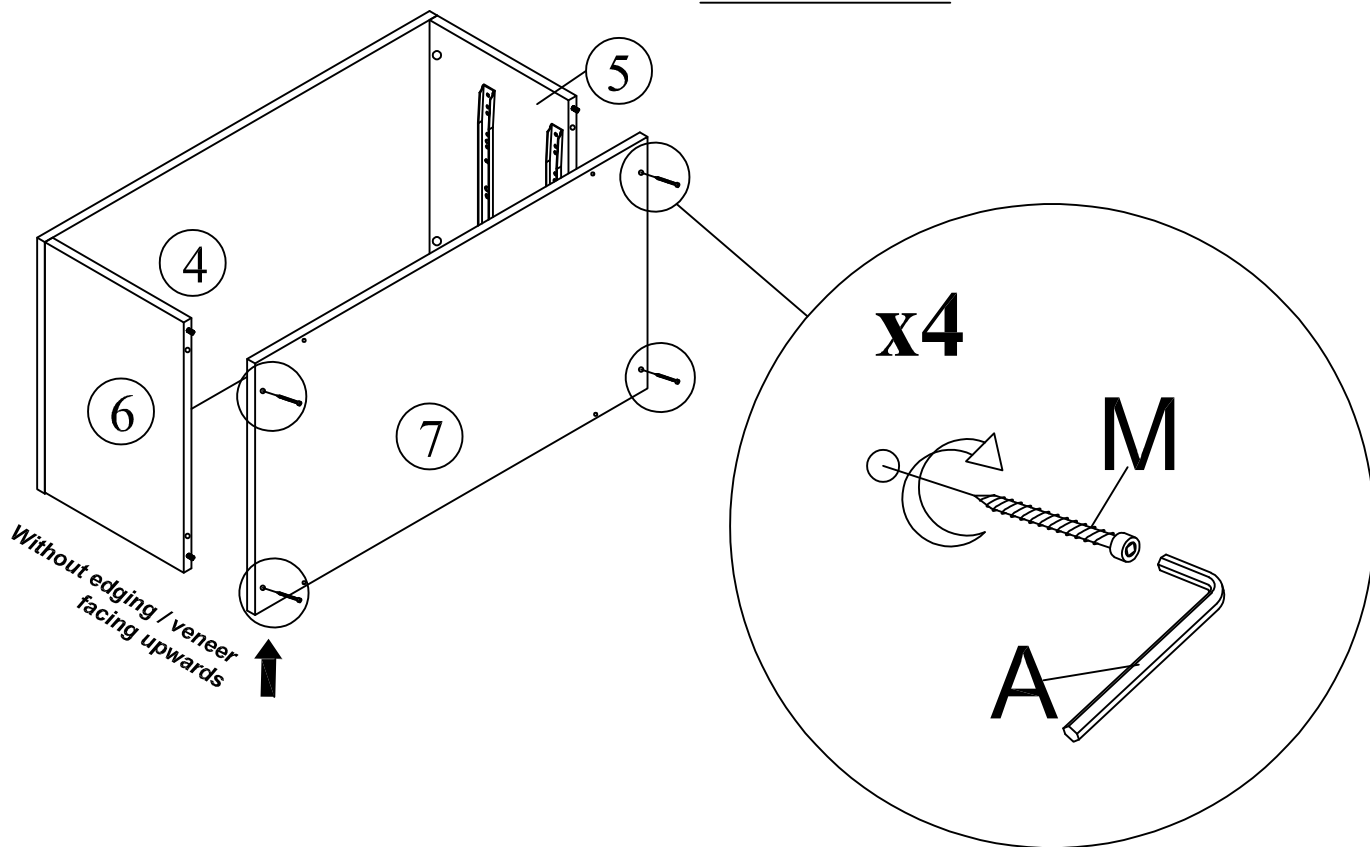
Without edging / veneer facing upwards



*Attach Minifix Cap as shown.

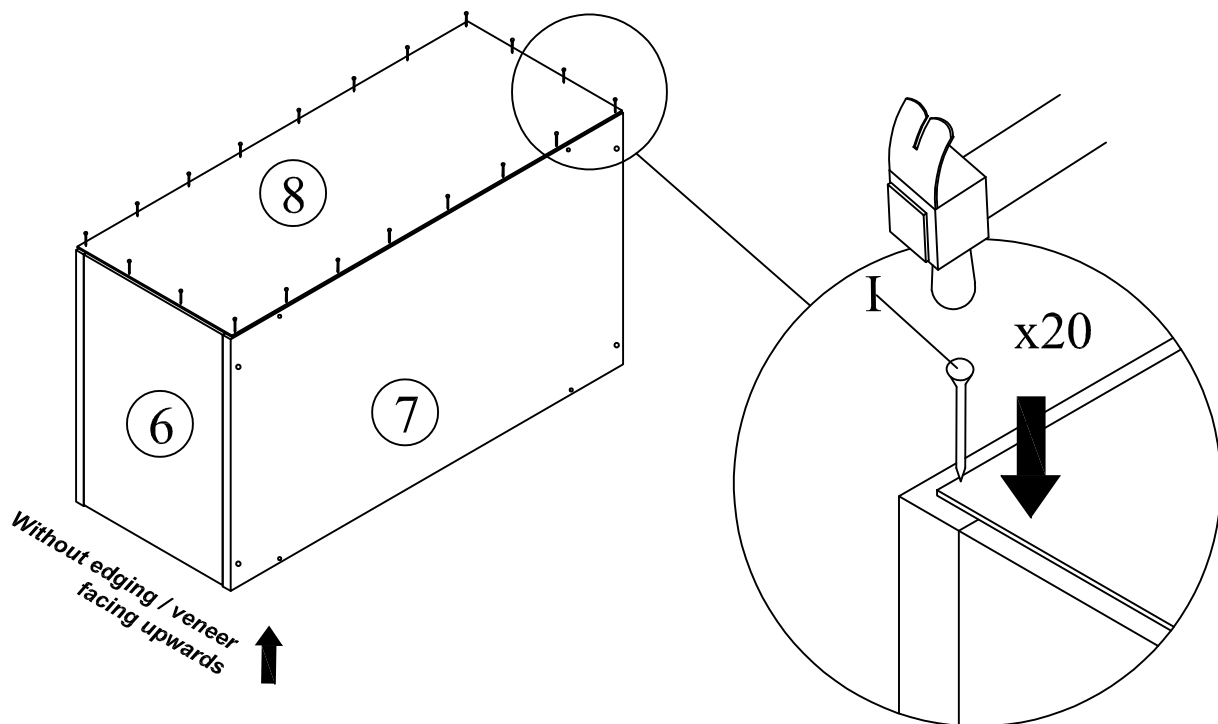
Step 7

BACK VIEW



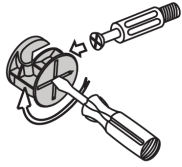
Step 8

BACK VIEW

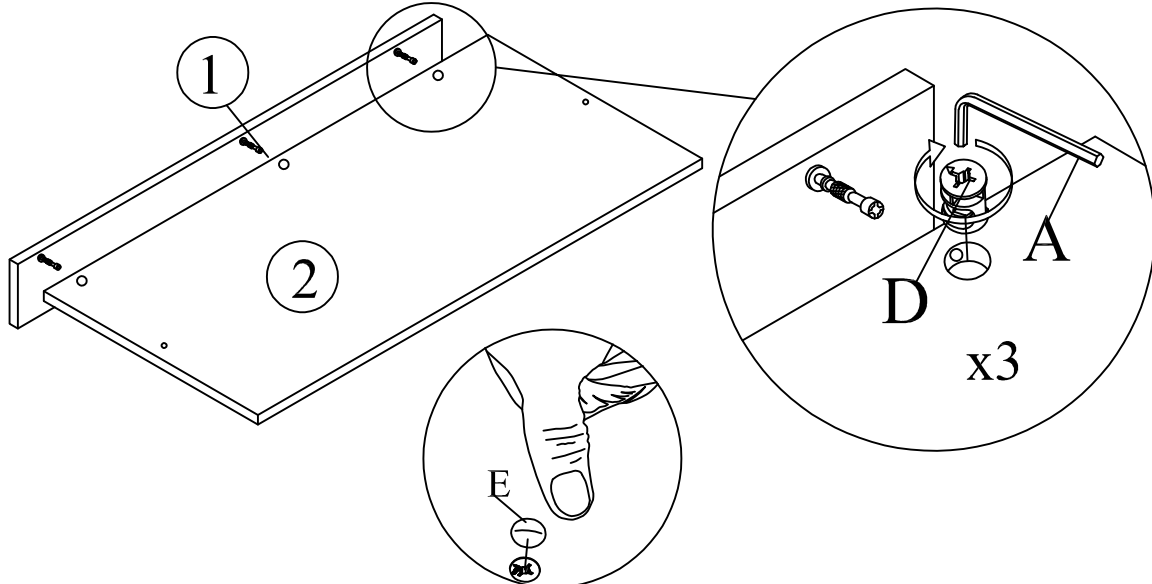


Step 9

This is how a mini fix works...

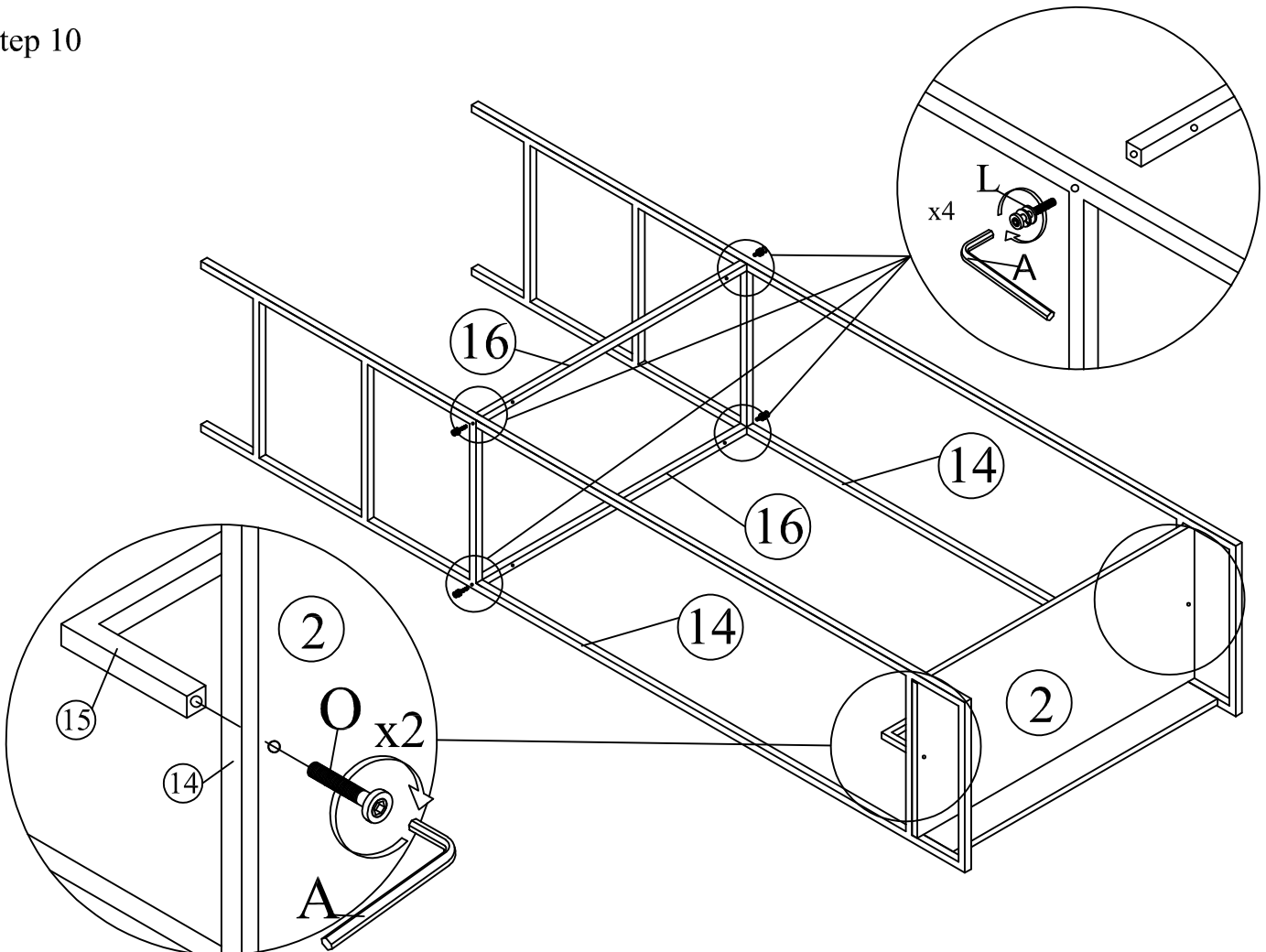


The head of the mini fix housing goes into the open mouth of the mini fix bolt. You then turn the mini fix housing so it tightens over the mini fix bolt.

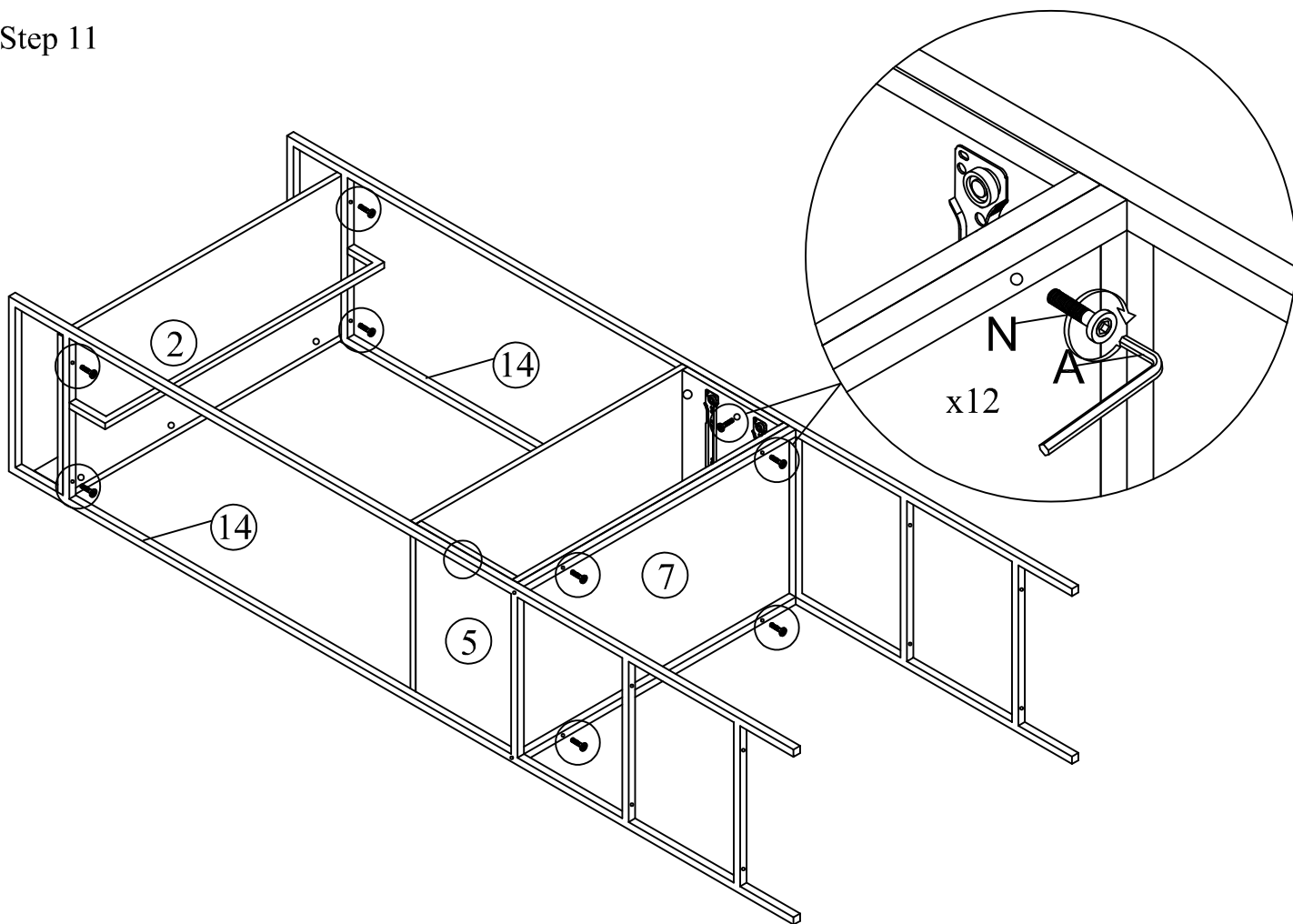


**Attach Minifix Cap as shown.*

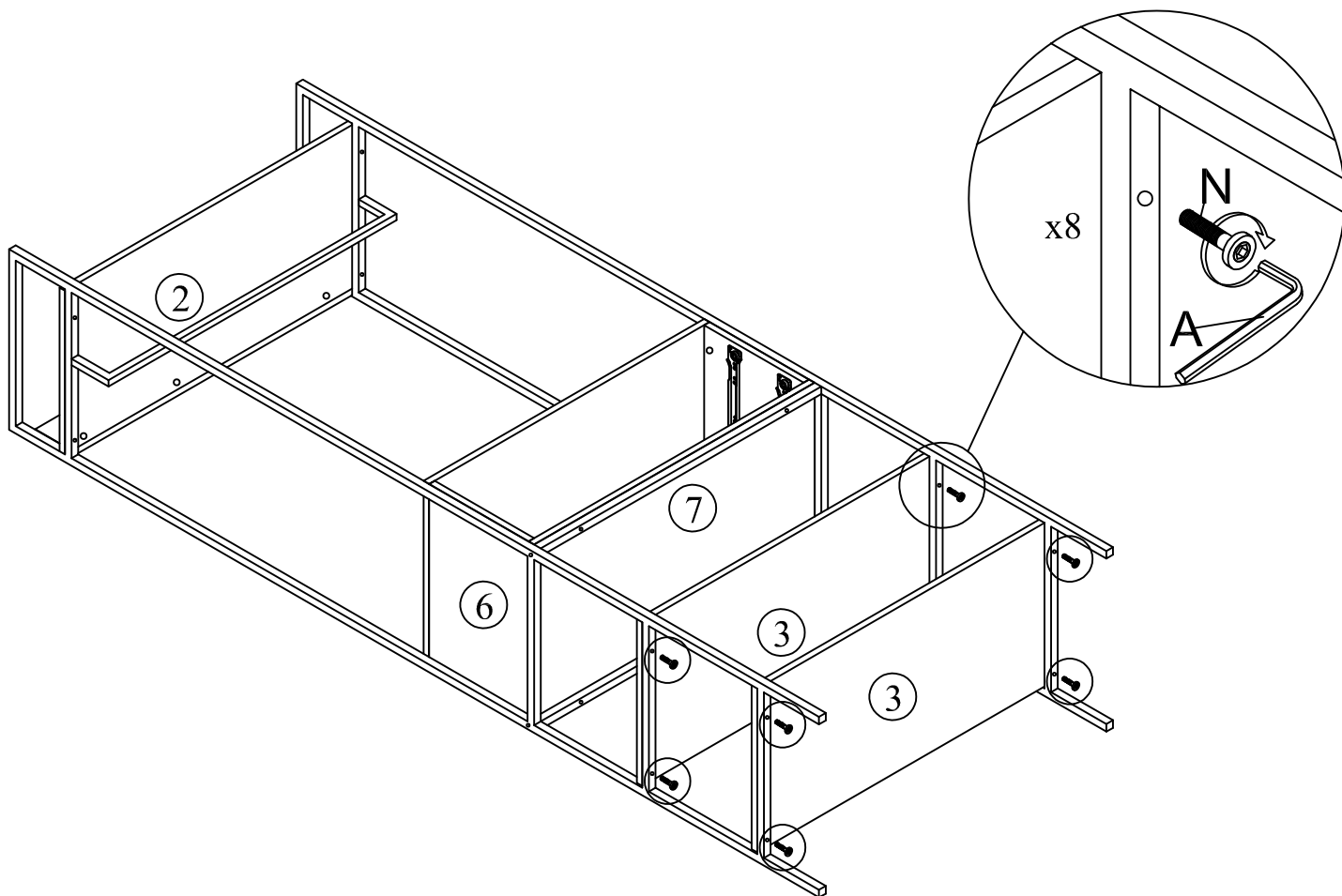
Step 10



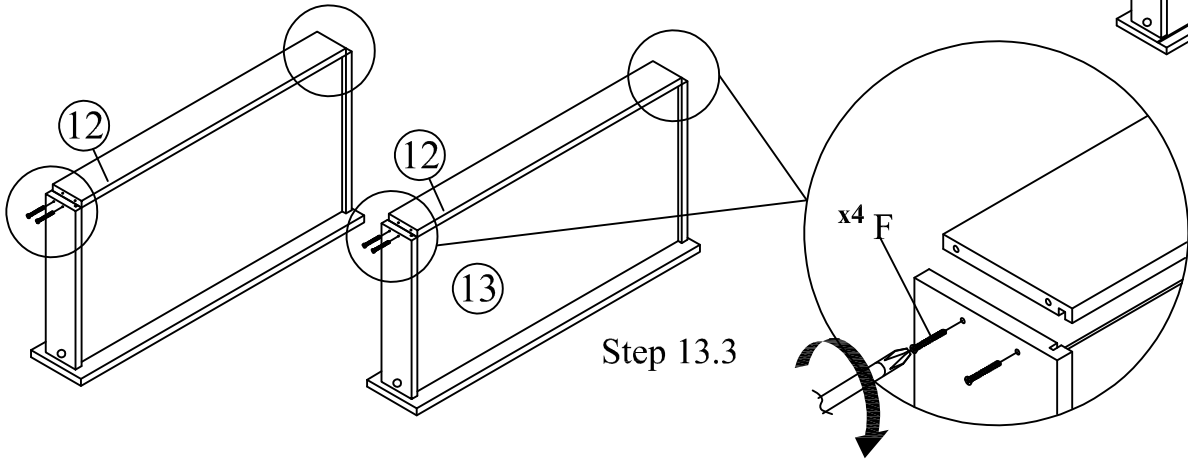
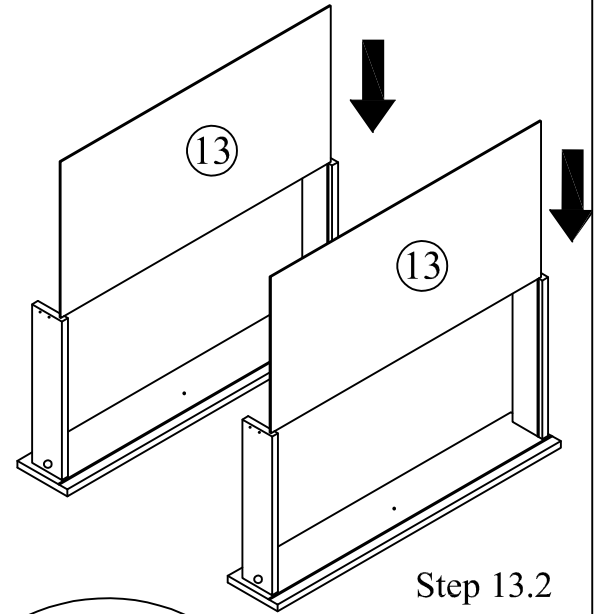
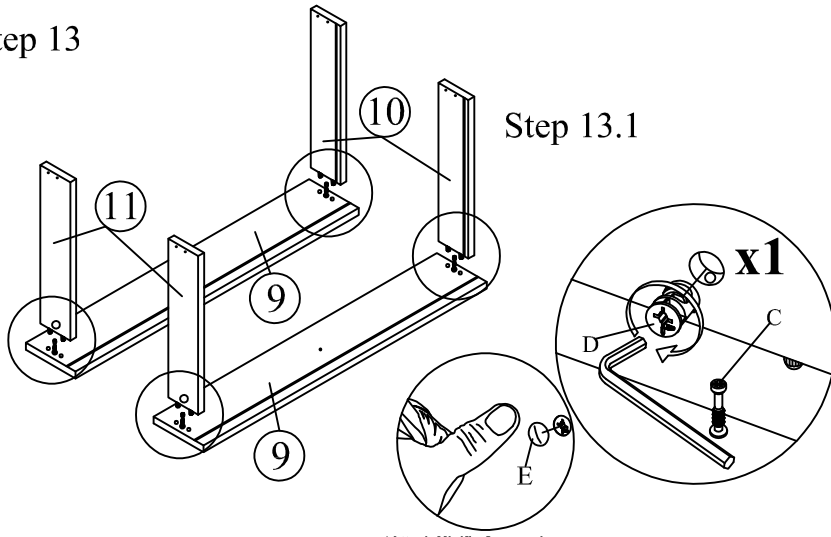
Step 11



Step 12

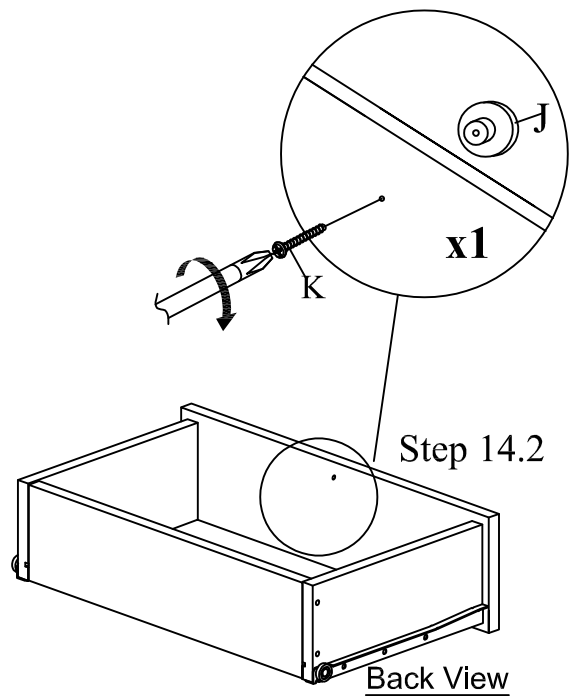
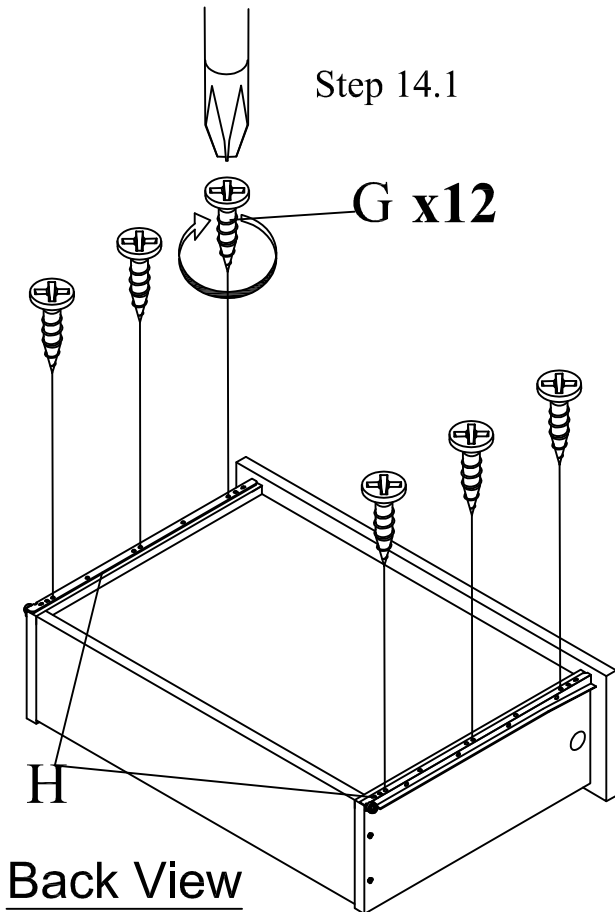


Step 13

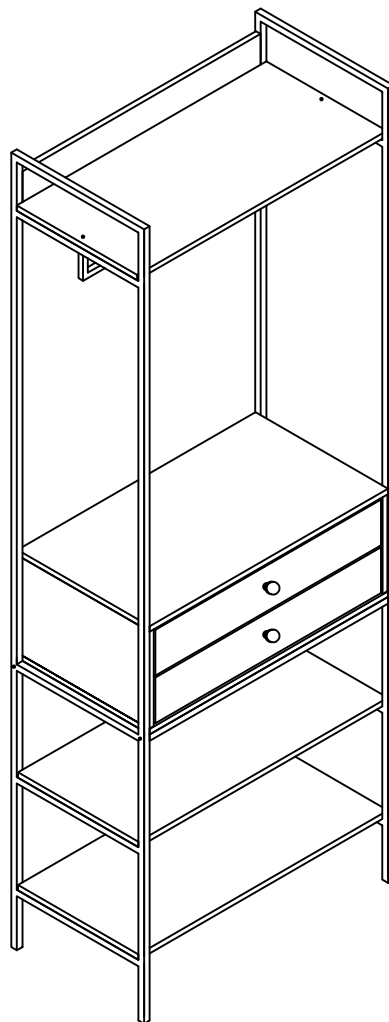
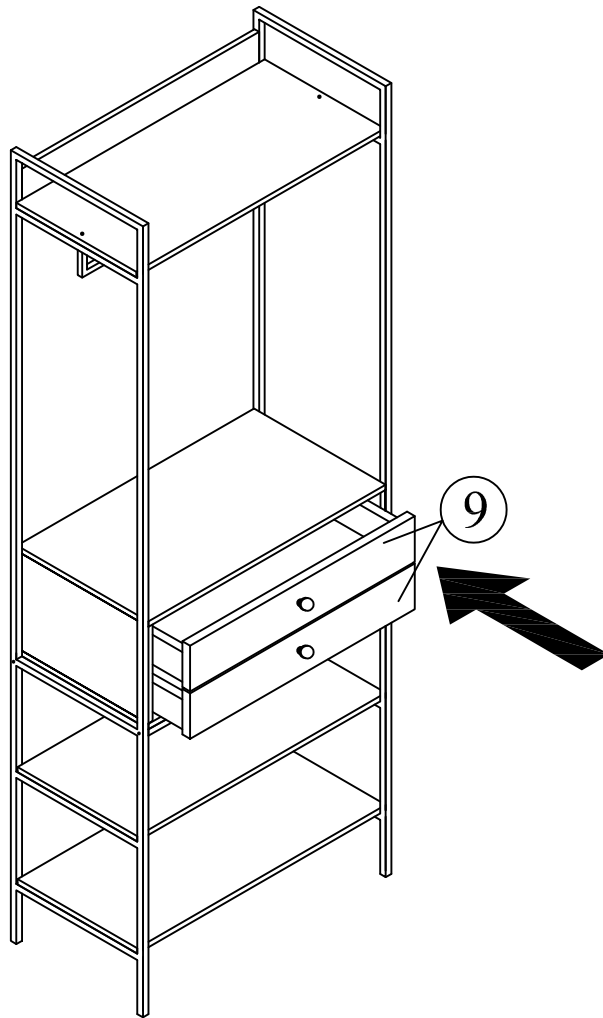


Step 14

x2



Step 15



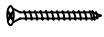
Anti -
Tipping

(A)



CSK Screw
M3.5x16mm
1PC

(B)



CSK Screw
M4x50mm
1PC

(C)

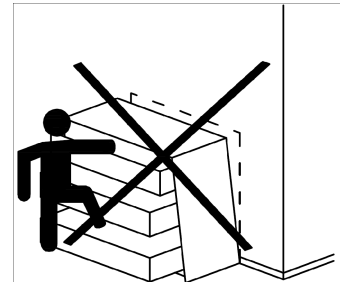
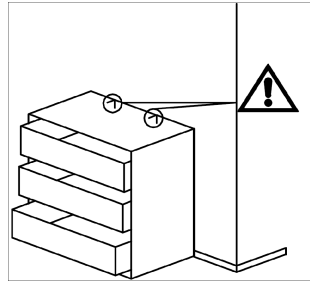


L BRACKET
2PCS

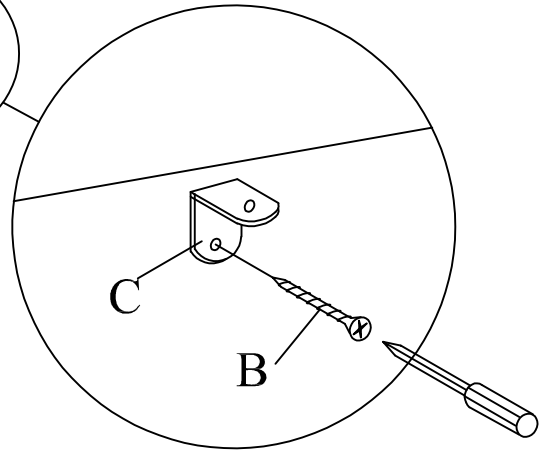
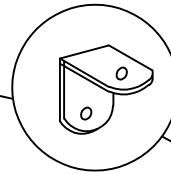
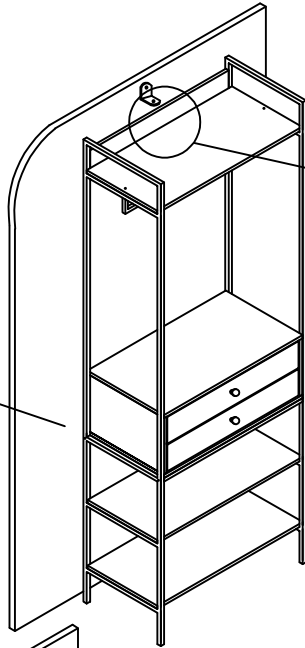
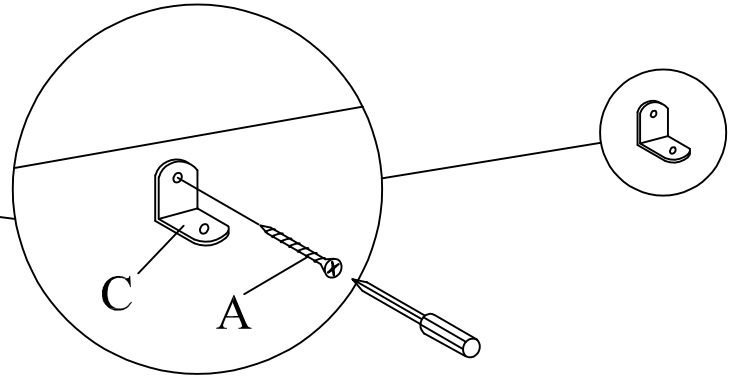
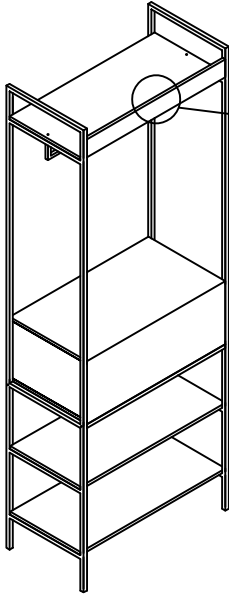
(D)



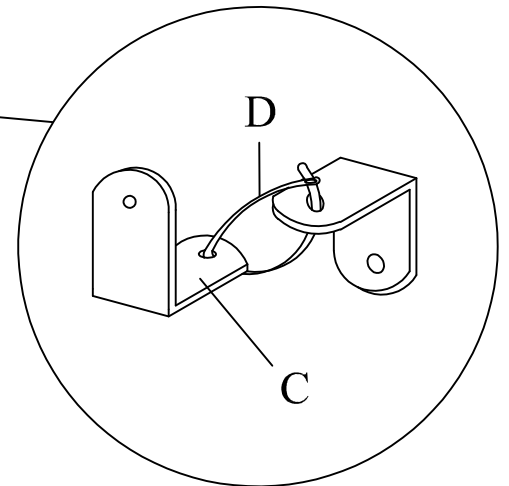
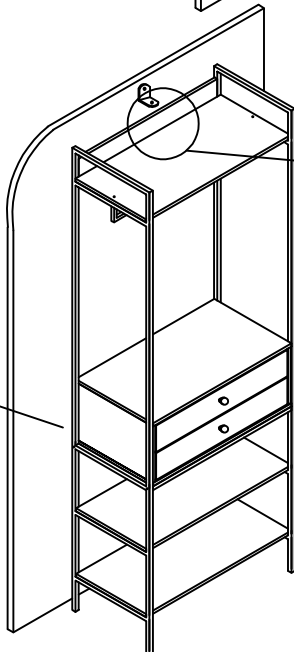
CABLE TIE
1PC



BACK VIEW



WALL



WALL