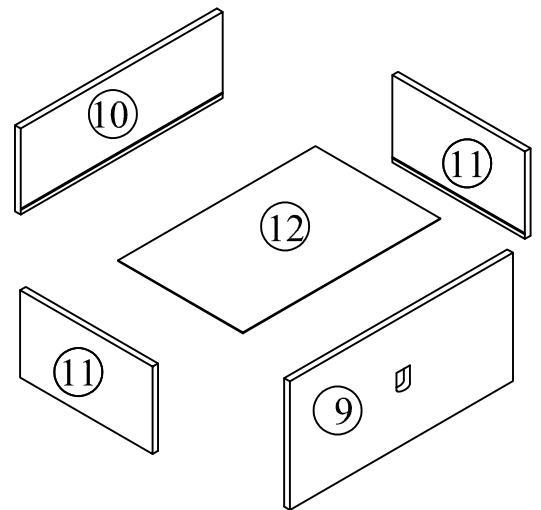
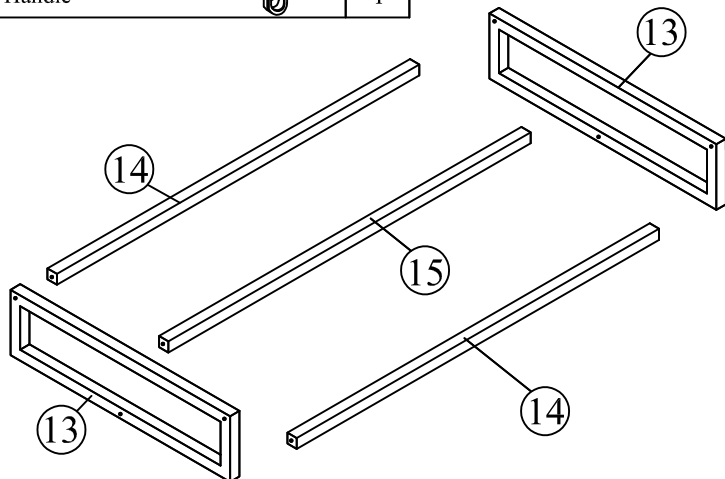
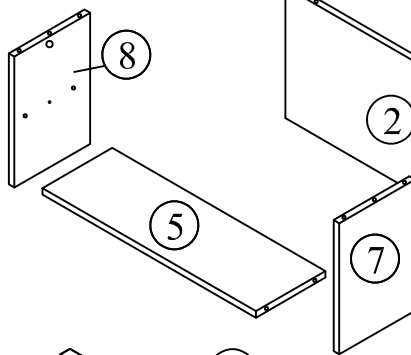
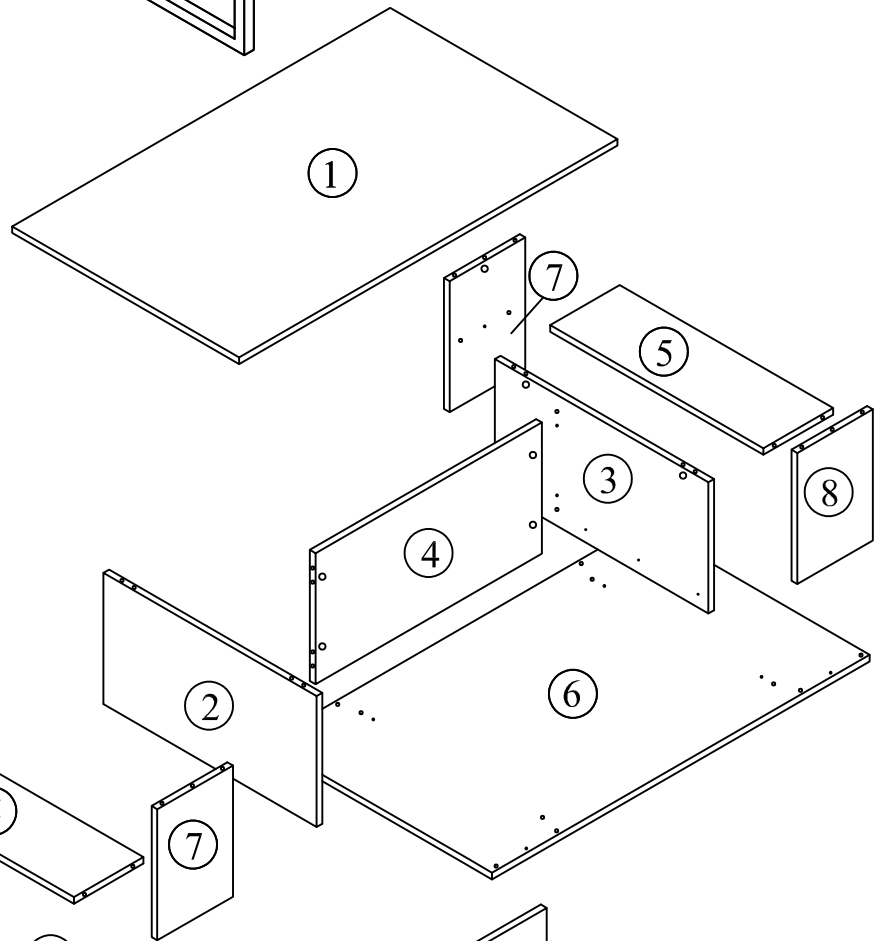
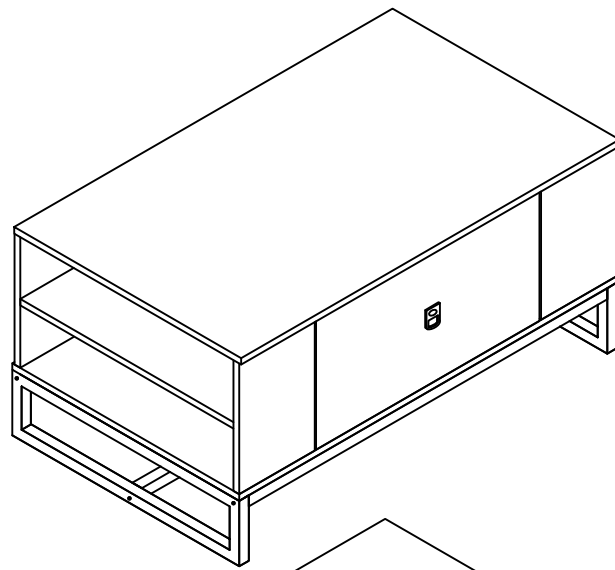


Assembly Instructions

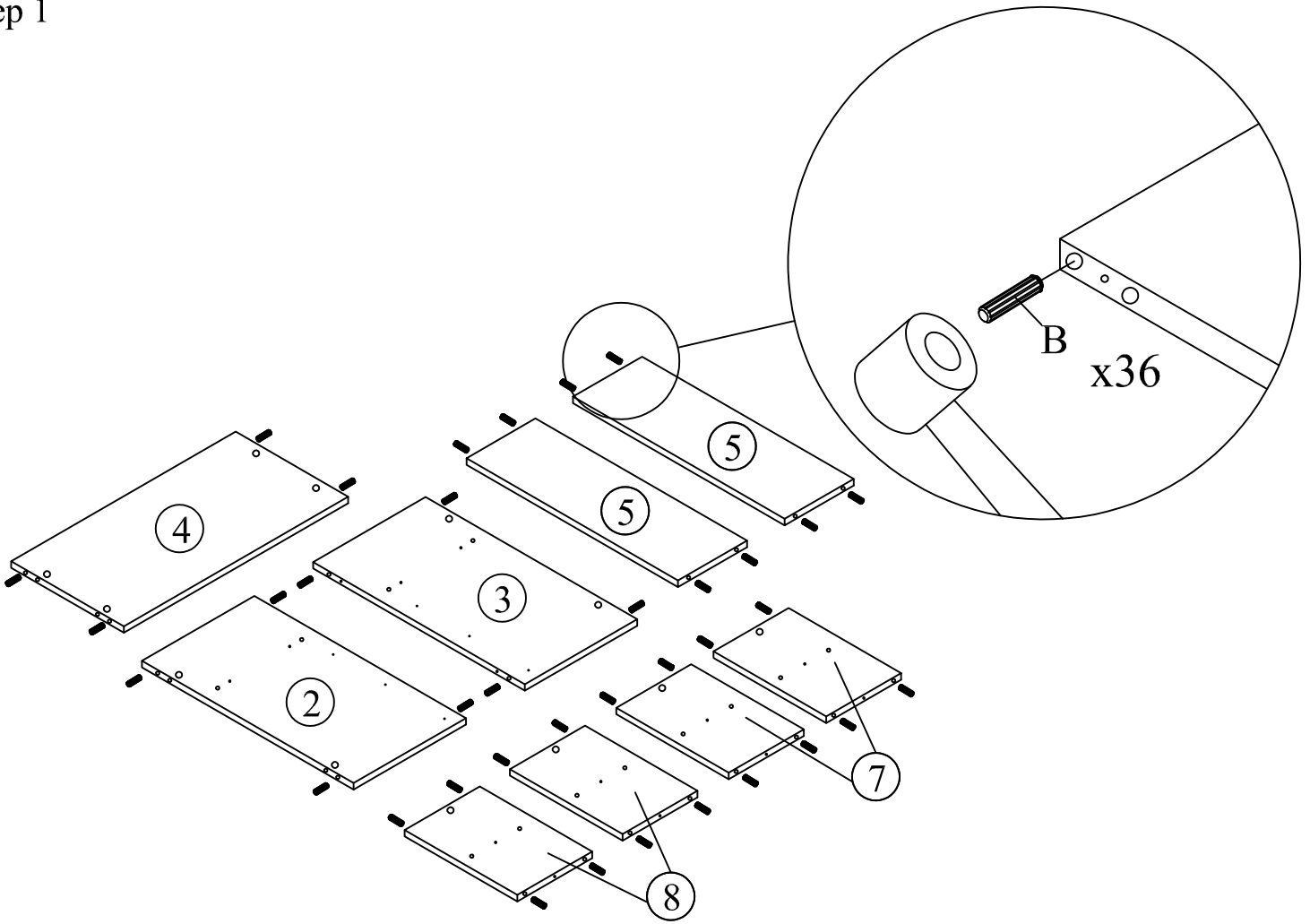
ECOLIFE
MODEL : CT 8013-DARWIN SERIES COFFEE TABLE

Part List		QTY
1	Top Panel	1
2	Left inner Side Panel	1
3	Right inner Side Panel	1
4	Middle Panel	1
5	Side Support Panel	2
6	Bottom Panel	1
7	Left Front Panel	2
8	Right Front Panel	2
9	Drawer Front Panel	1
10	Drawer Back Panel	1
11	Drawer Side Panel	2
12	Drawer Bottom Panel	1
13	Metal Frame Legs	2
14	Metal Support Legs	2
15	Metal Center Legs	1

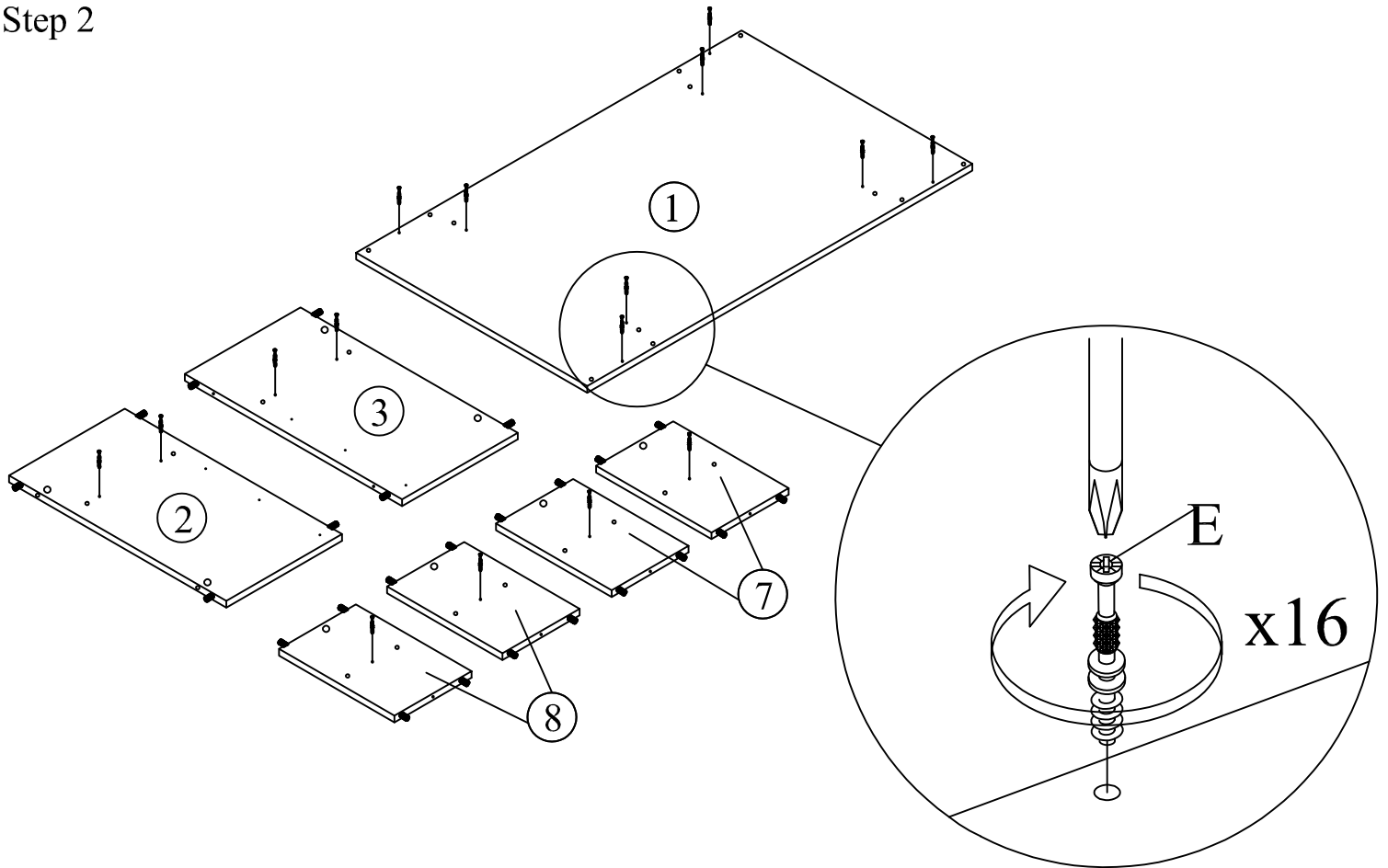
Hardware		QTY
A	Allen Key M4 	1
B	Wood Dowel 	36
C	JCBC W Screw M6x40 	8
D	JCBC Screw M6x50 + M6 Flat Washer 	6
E	Mini Fix Bolt 	16
F	Mini Fix Housing 	16
G	Mini Fix Cap 	16
H	CSK Screw M4x32mm 	6
I	CSK Screw M4x50mm 	8
J	CSK Screw M3.5x16mm 	12
K	14" Drawer Slide 	1
L	Handle 	1



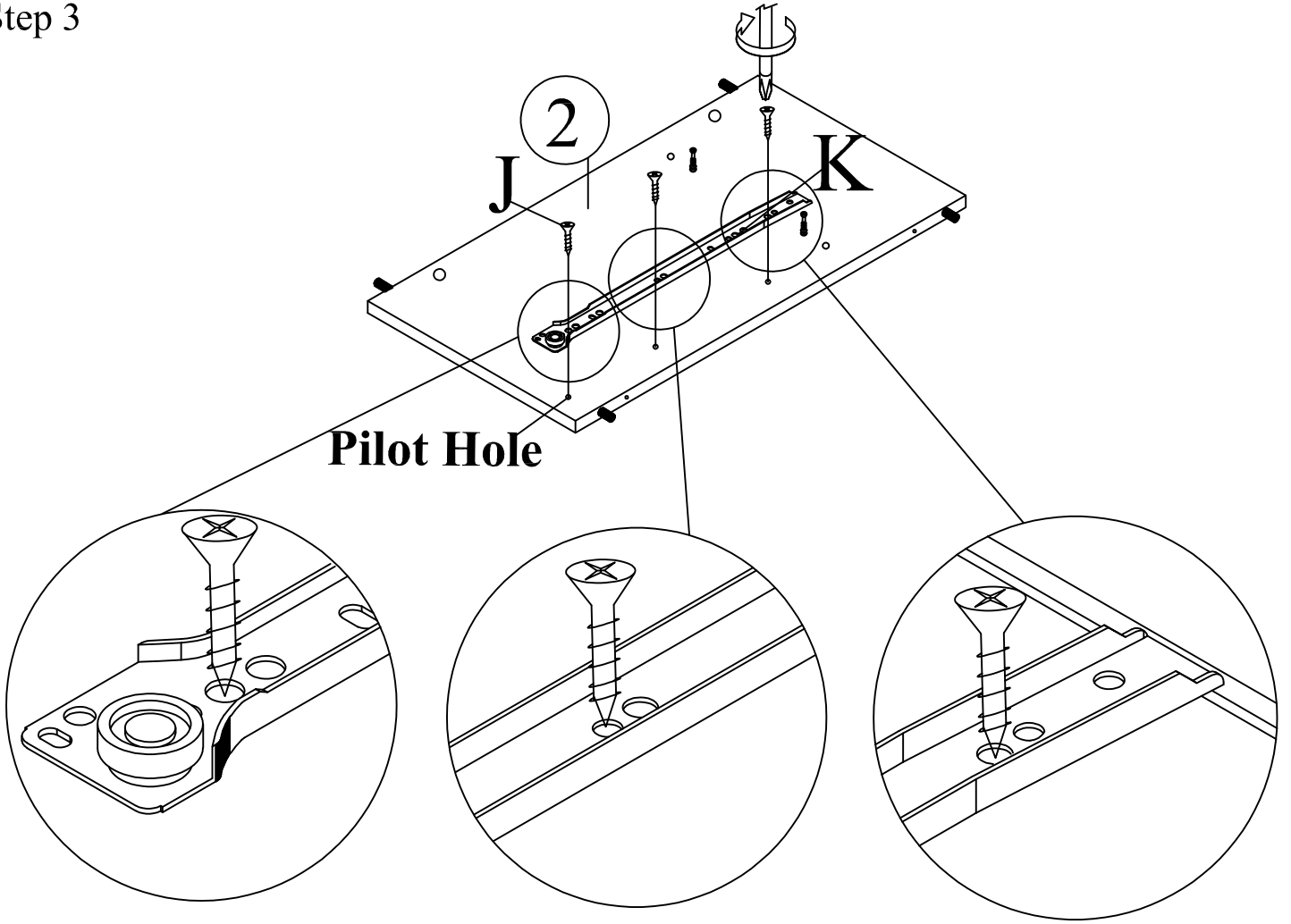
Step 1



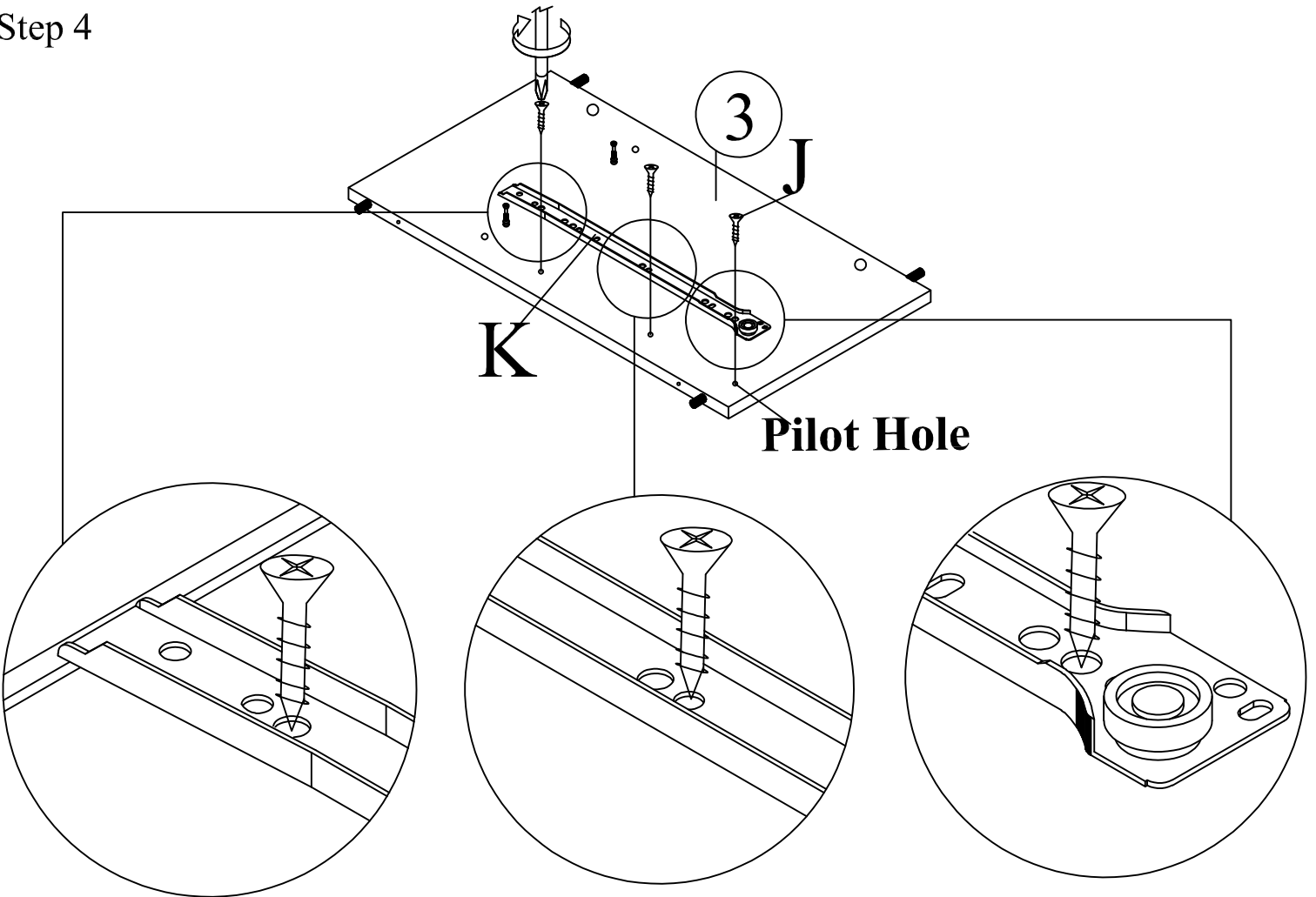
Step 2



Step 3

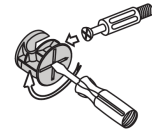


Step 4

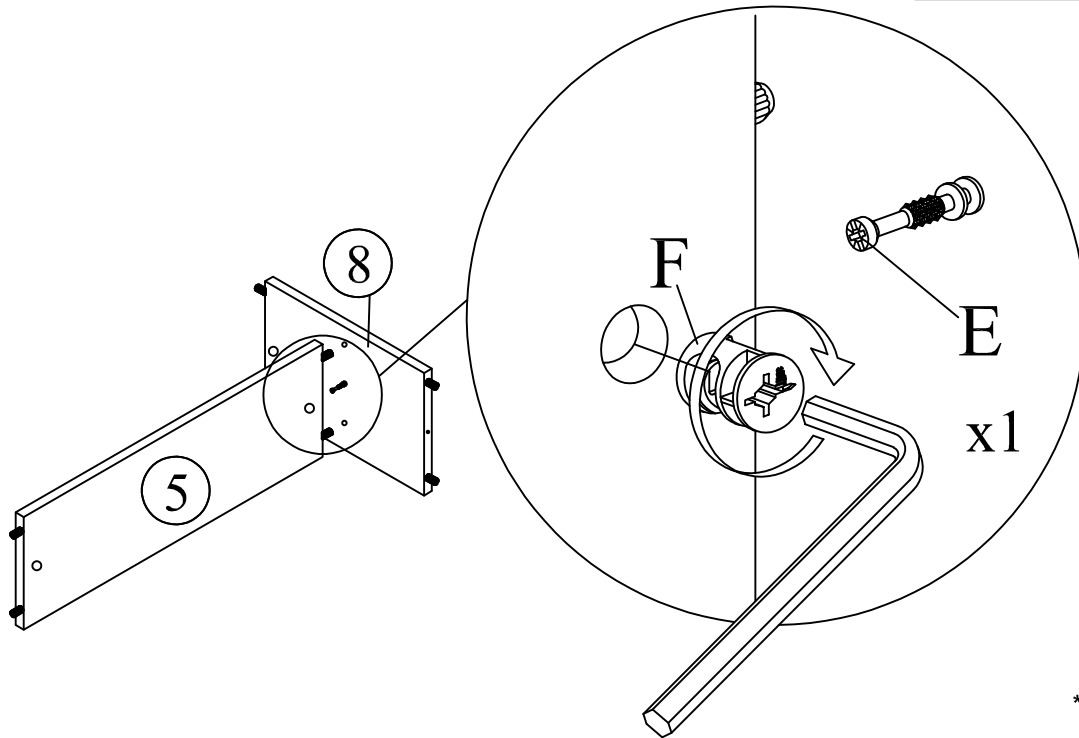


Step 5

This is how a mini fix works...



The head of the mini fix housing goes into the open mouth of the mini fix bolt. You then turn the mini fix housing so it tightens over the mini fix bolt.

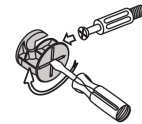


x2

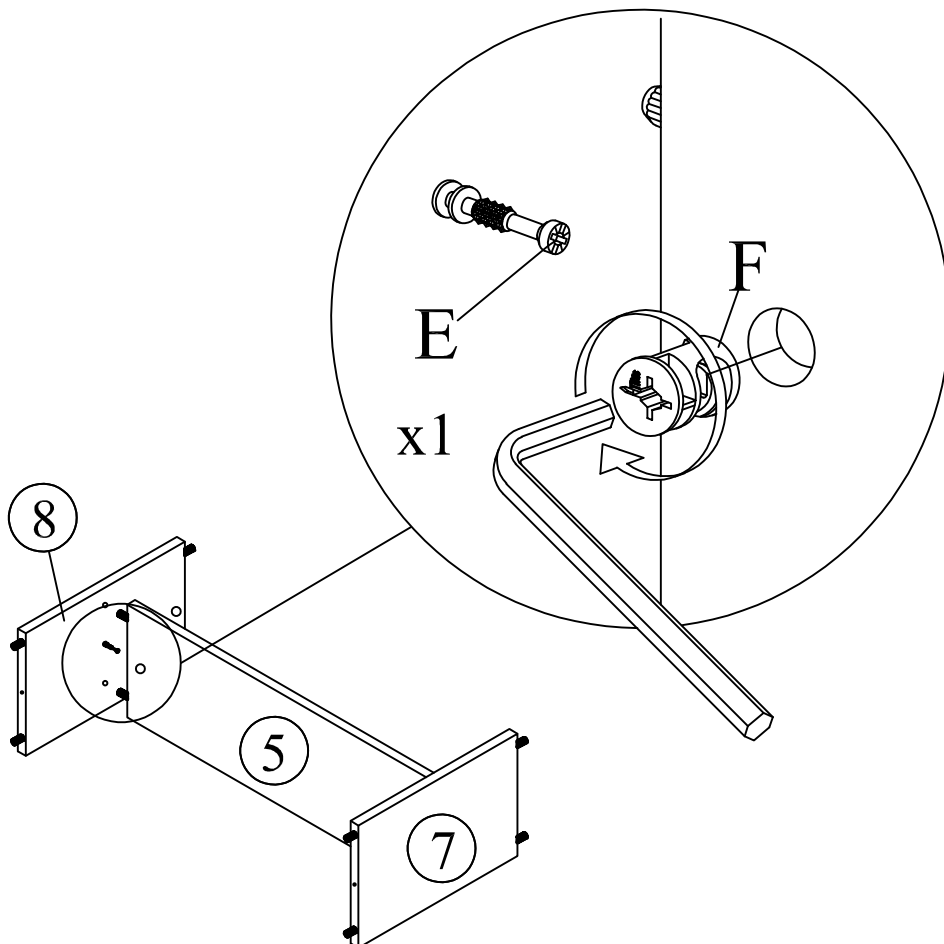
**Attach Minifix Cap as shown.*

Step 6

This is how a mini fix works...



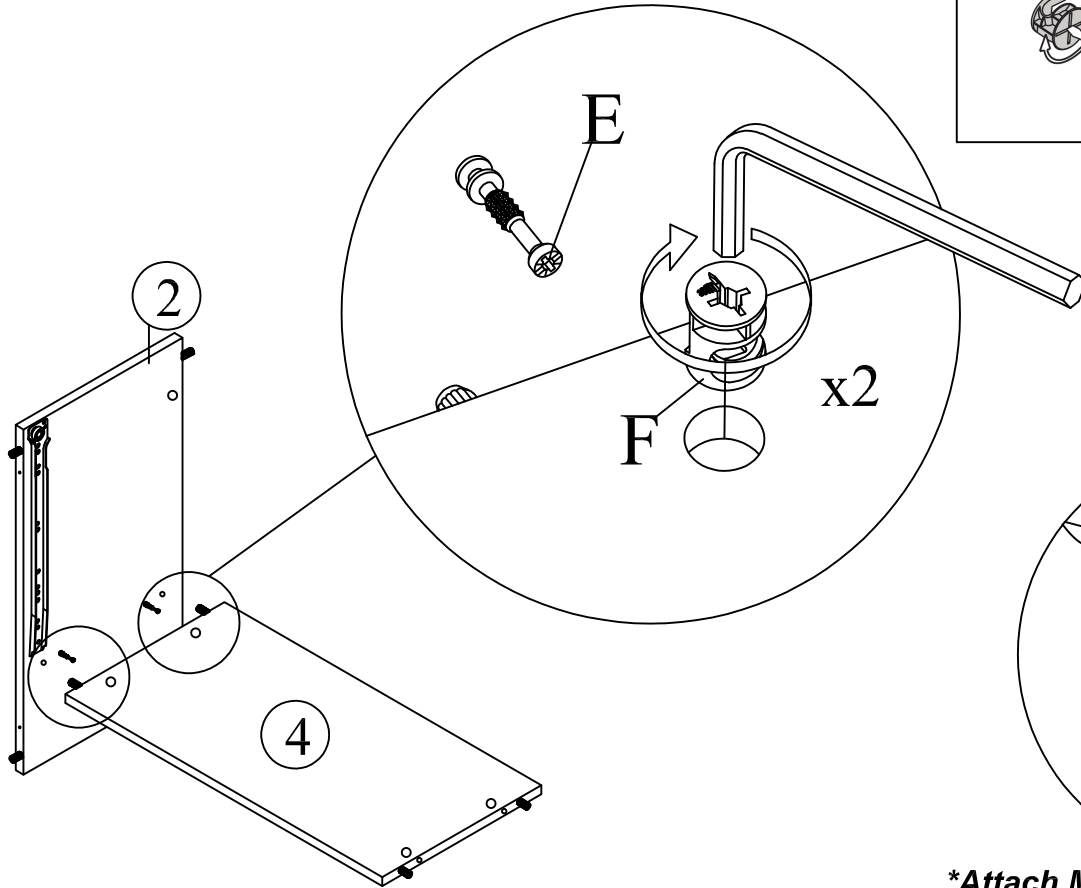
The head of the mini fix housing goes into the open mouth of the mini fix bolt. You then turn the mini fix housing so it tightens over the mini fix bolt.



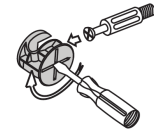
x2

**Attach Minifix Cap as shown.*

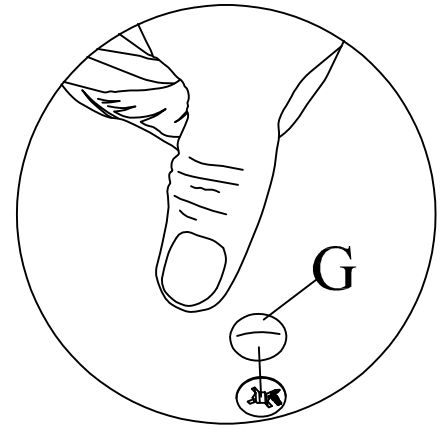
Step 7



This is how a mini fix works...

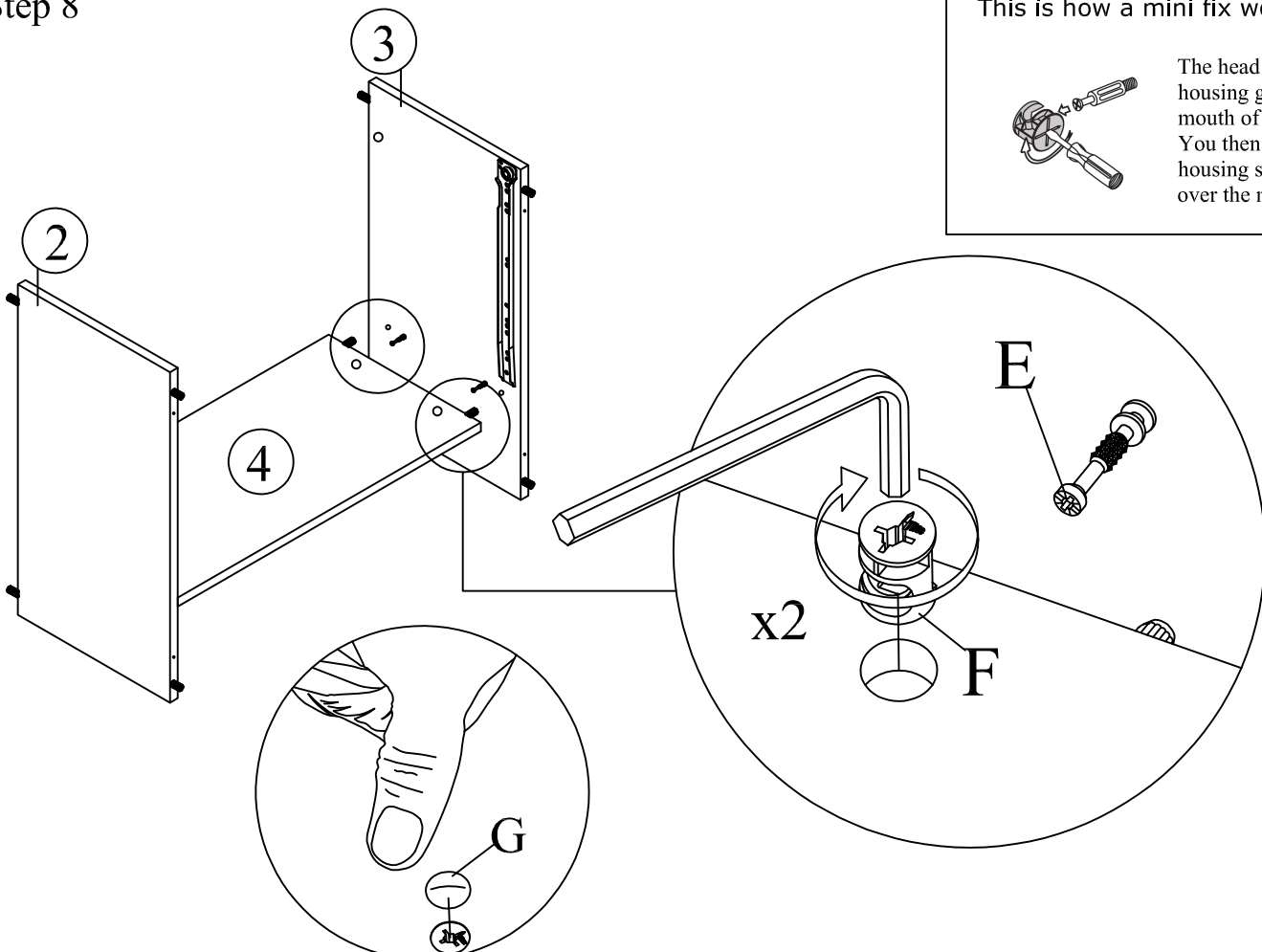


The head of the mini fix housing goes into the open mouth of the mini fix bolt. You then turn the mini fix housing so it tightens over the mini fix bolt.

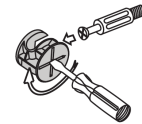


***Attach Minifix Cap as shown.**

Step 8



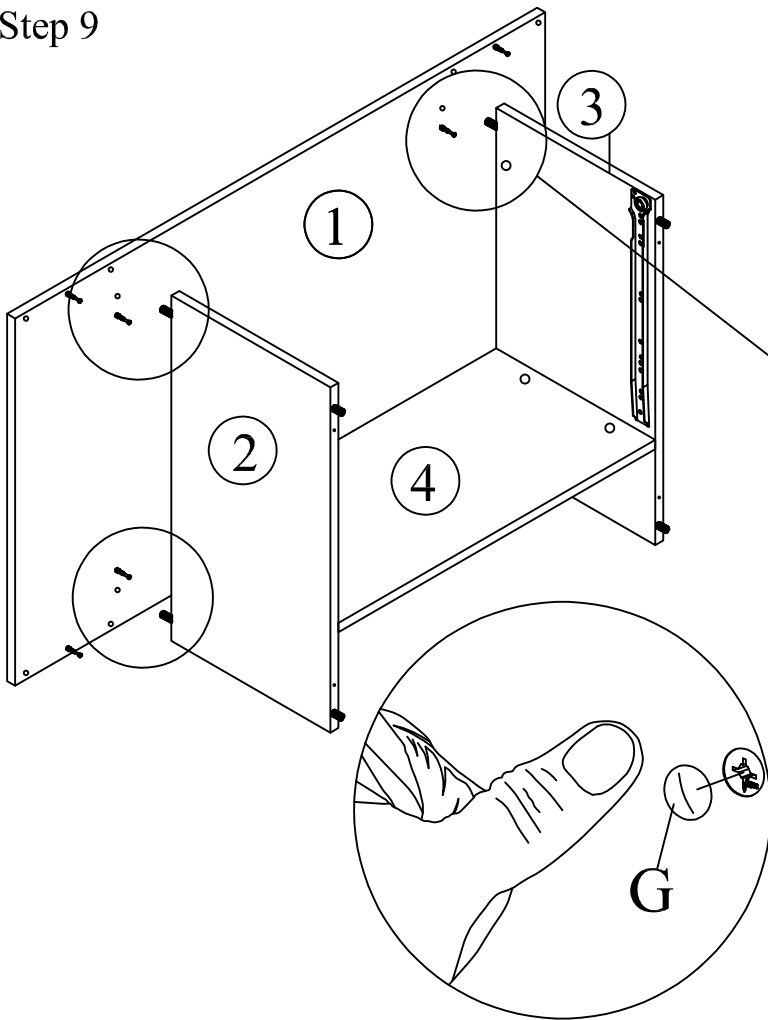
This is how a mini fix works...



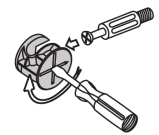
The head of the mini fix housing goes into the open mouth of the mini fix bolt. You then turn the mini fix housing so it tightens over the mini fix bolt.

***Attach Minifix Cap as shown.**

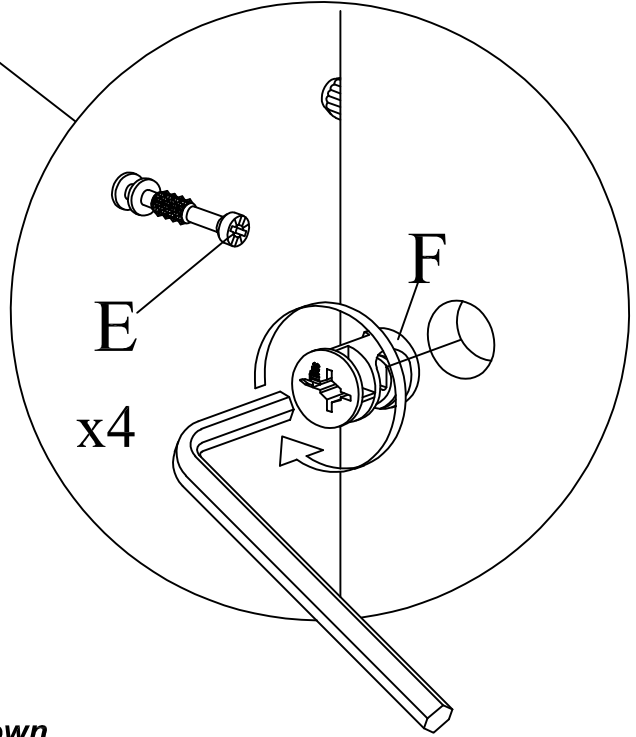
Step 9



This is how a mini fix works...

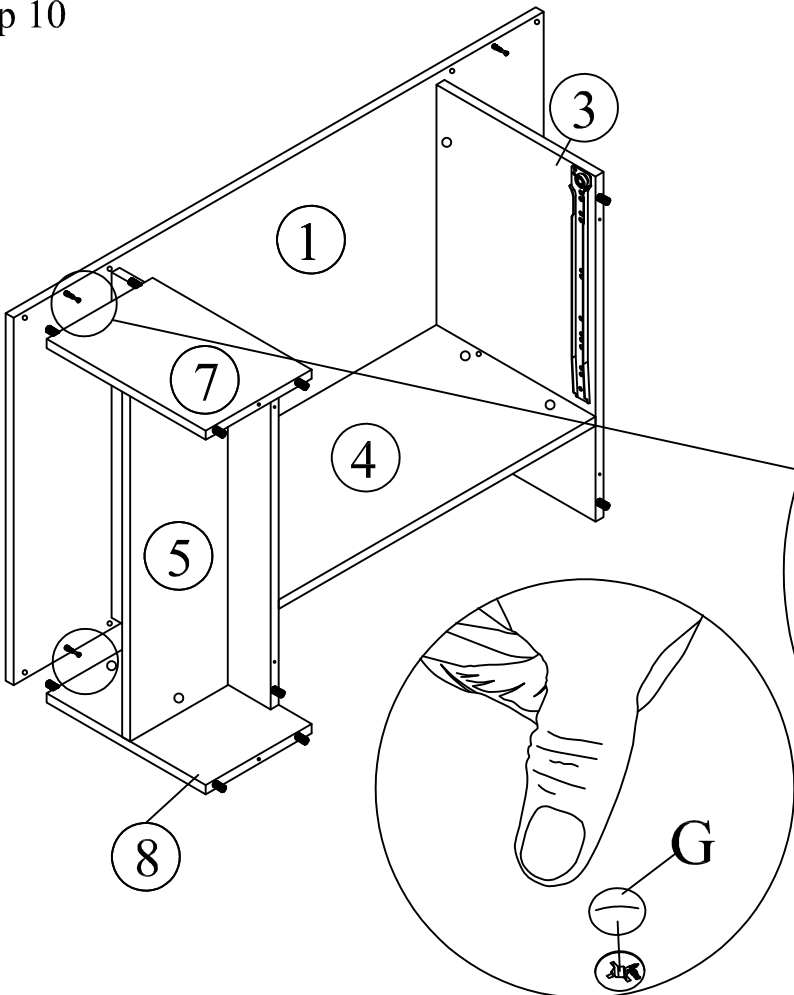


The head of the mini fix housing goes into the open mouth of the mini fix bolt. You then turn the mini fix housing so it tightens over the mini fix bolt.

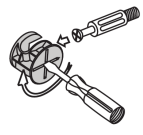


***Attach Minifix Cap as shown.**

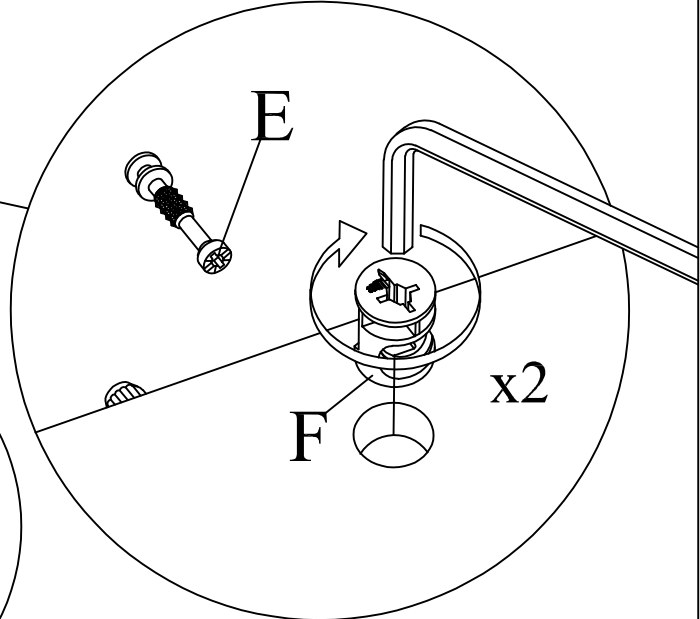
Step 10



This is how a mini fix works...



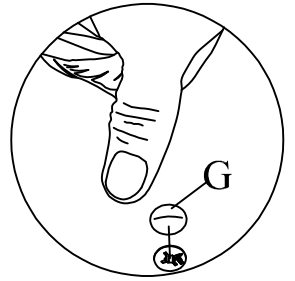
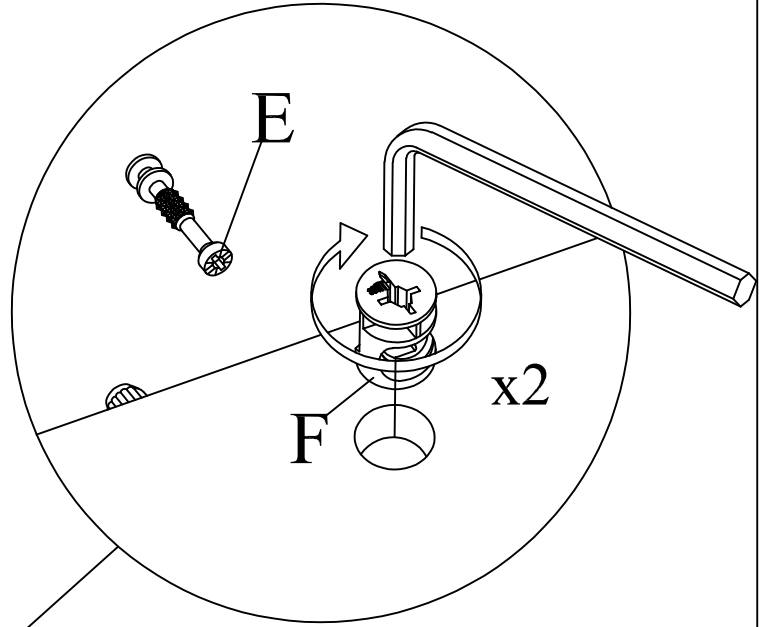
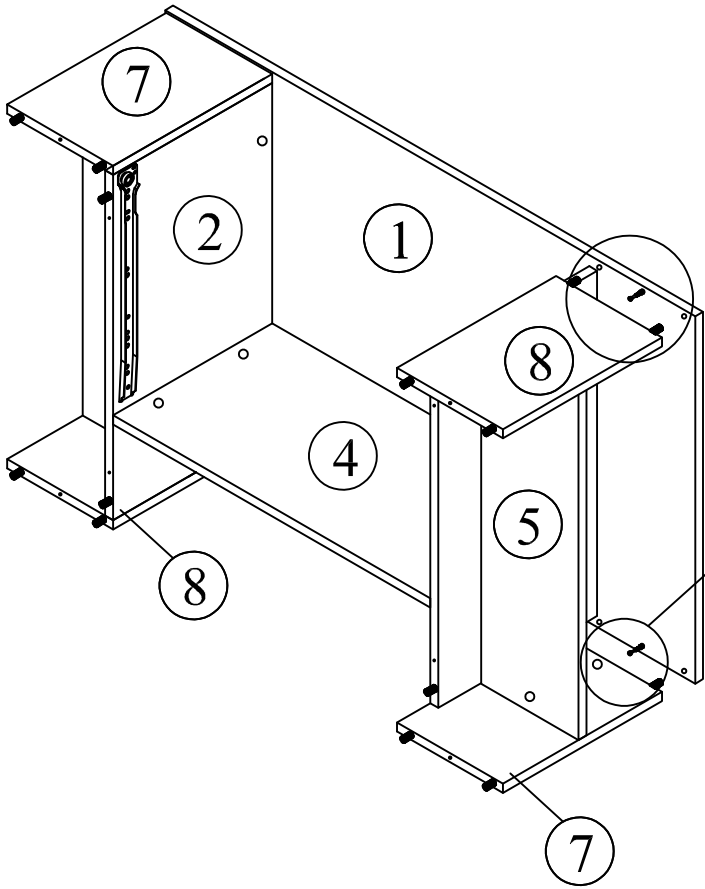
The head of the mini fix housing goes into the open mouth of the mini fix bolt. You then turn the mini fix housing so it tightens over the mini fix bolt.



***Attach Minifix Cap as shown.**

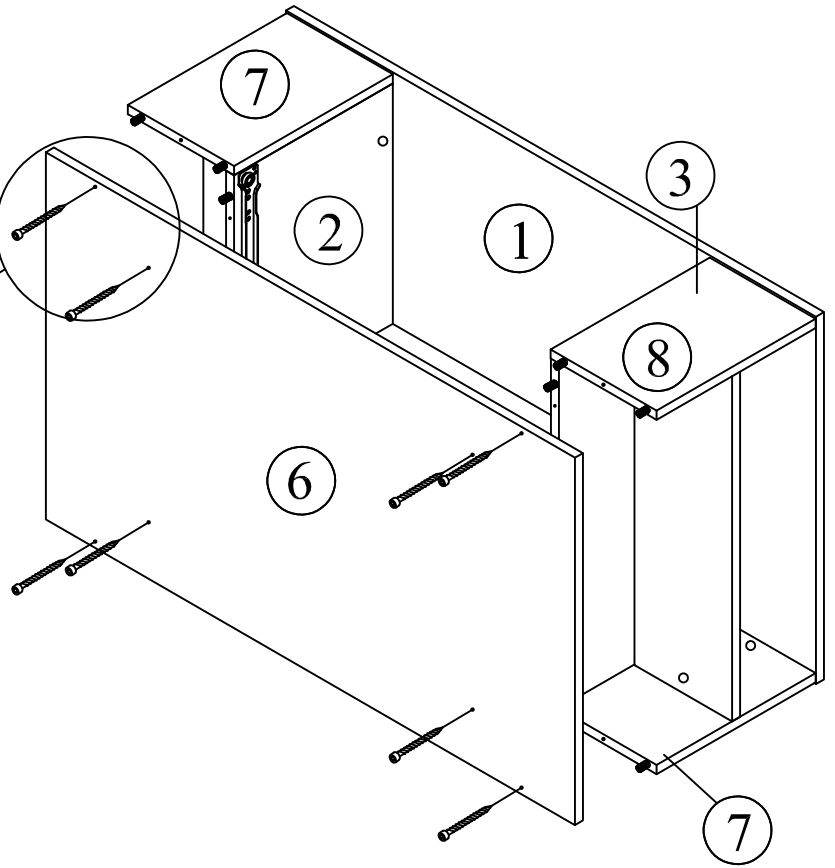
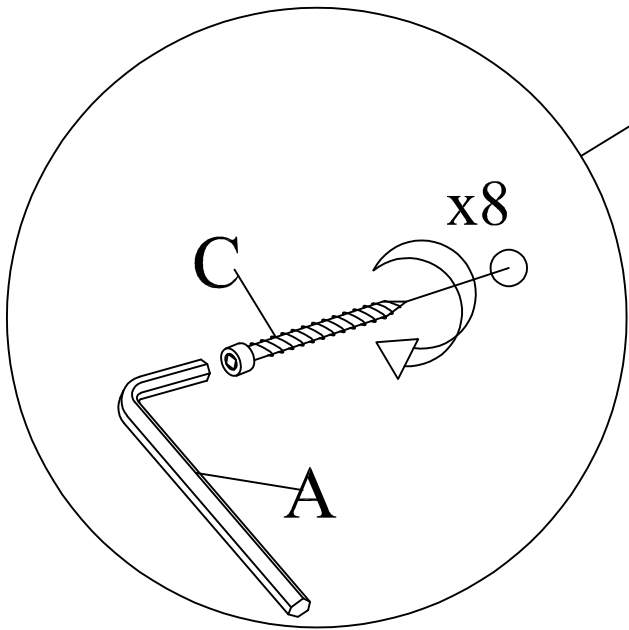
Step 11

This is how a mini fix works...
The head of the mini fix housing goes into the open mouth of the mini fix bolt. You then turn the mini fix housing so it tightens over the mini fix bolt.

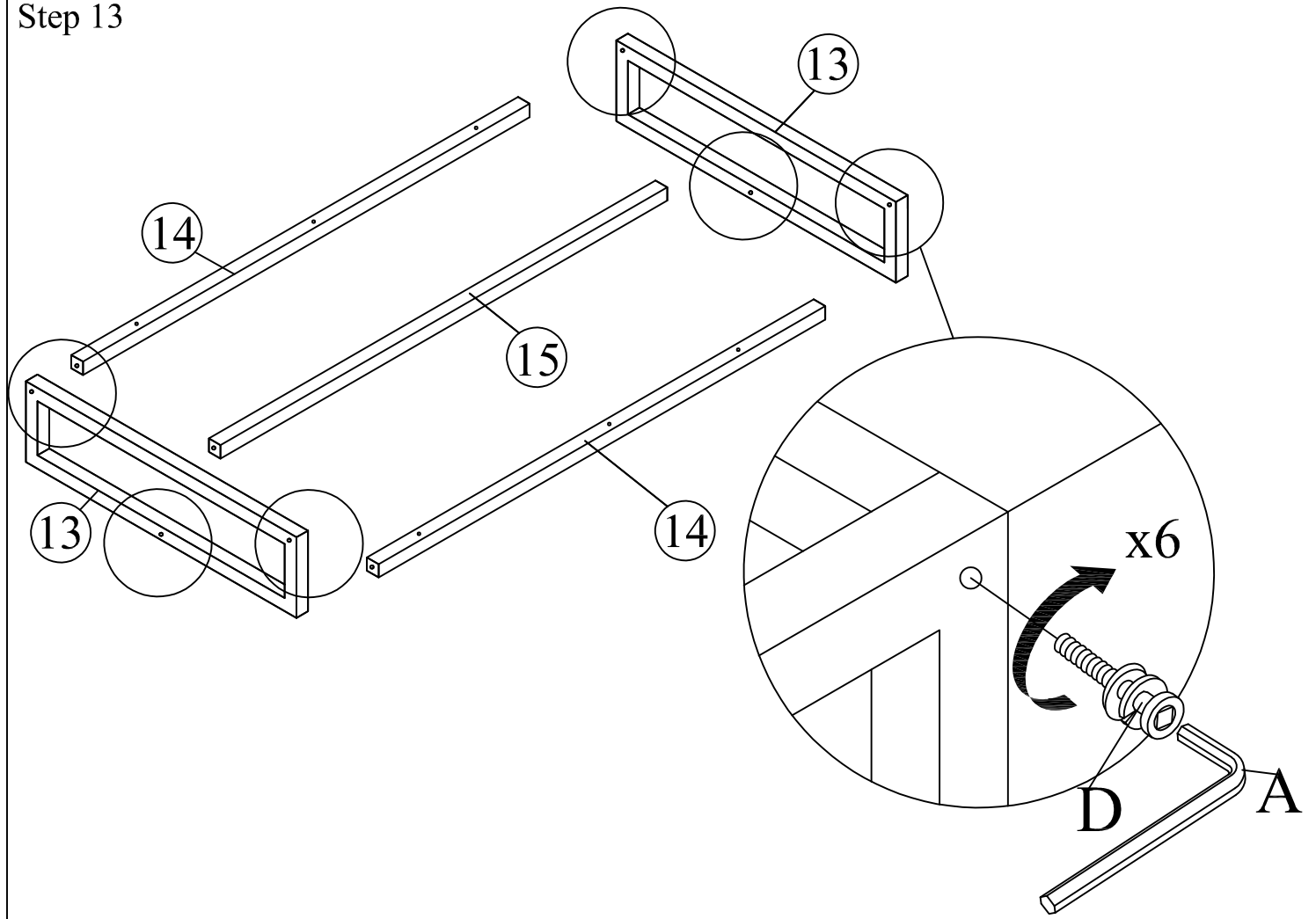


**Attach Minifix Cap as shown.*

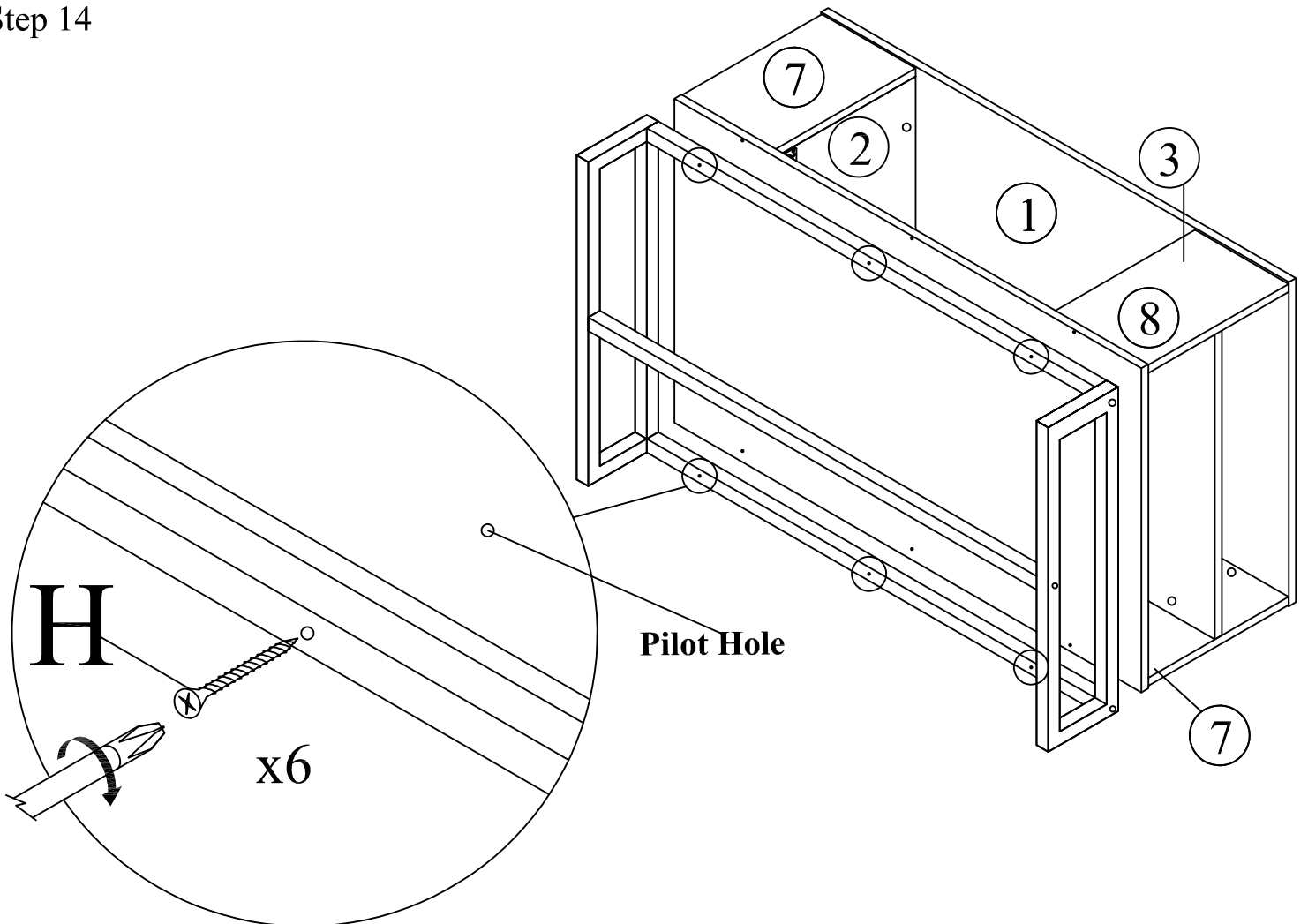
Step 12



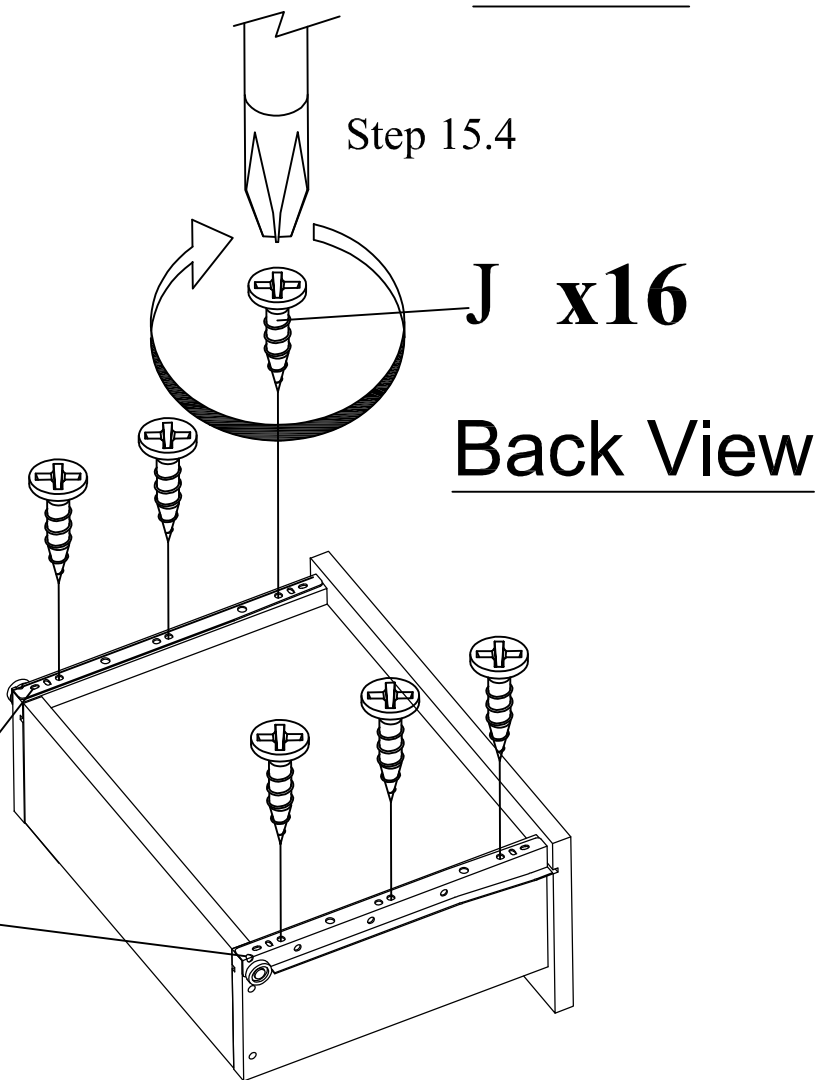
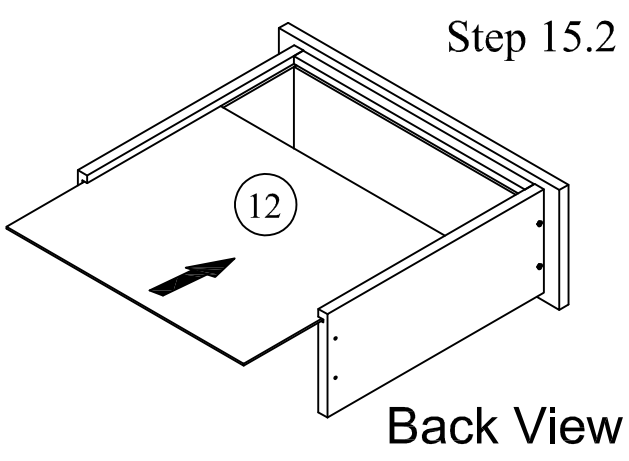
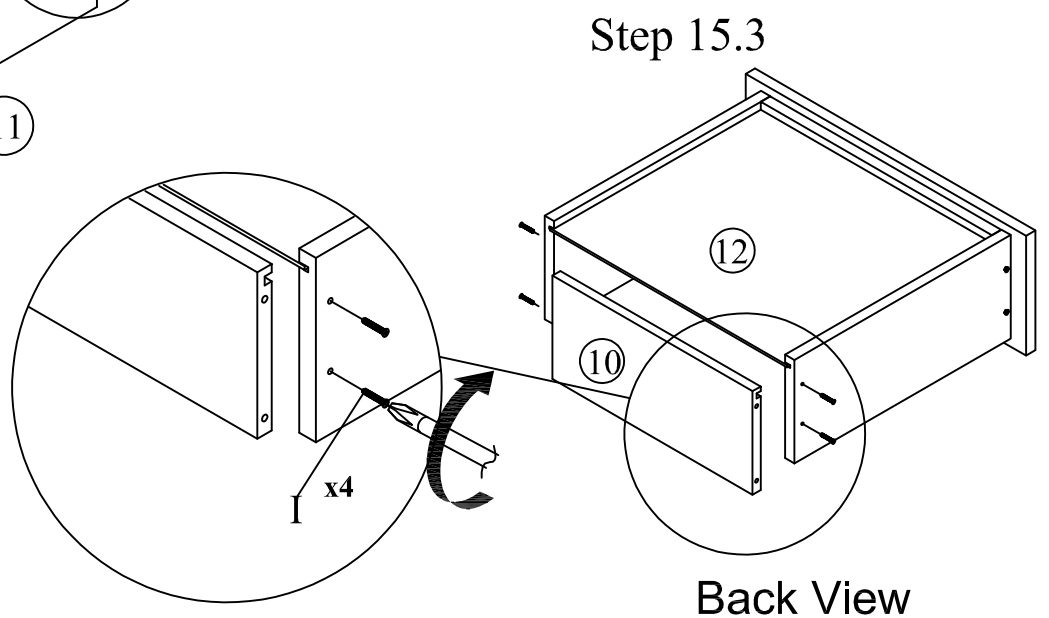
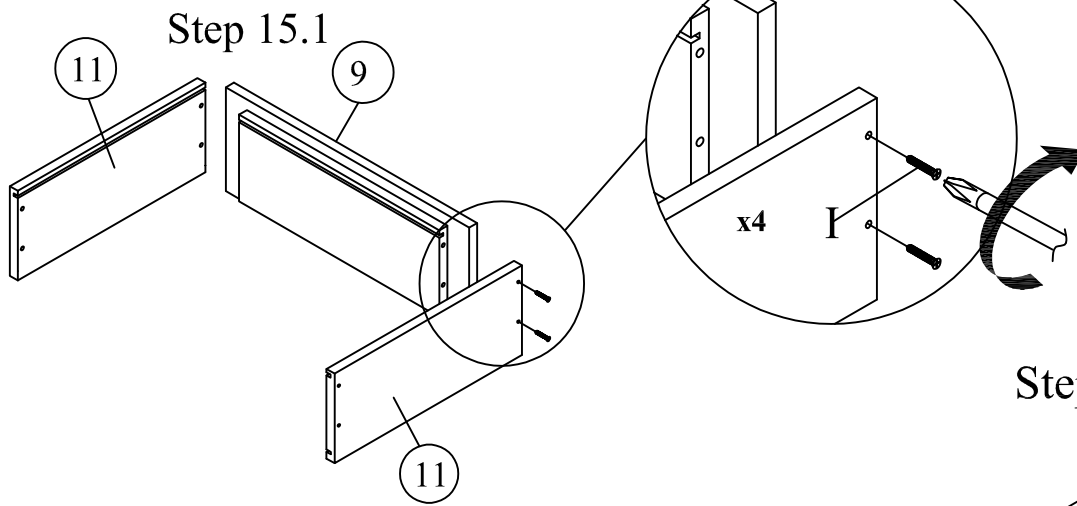
Step 13



Step 14



Step 15



Step 16

