

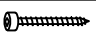




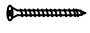




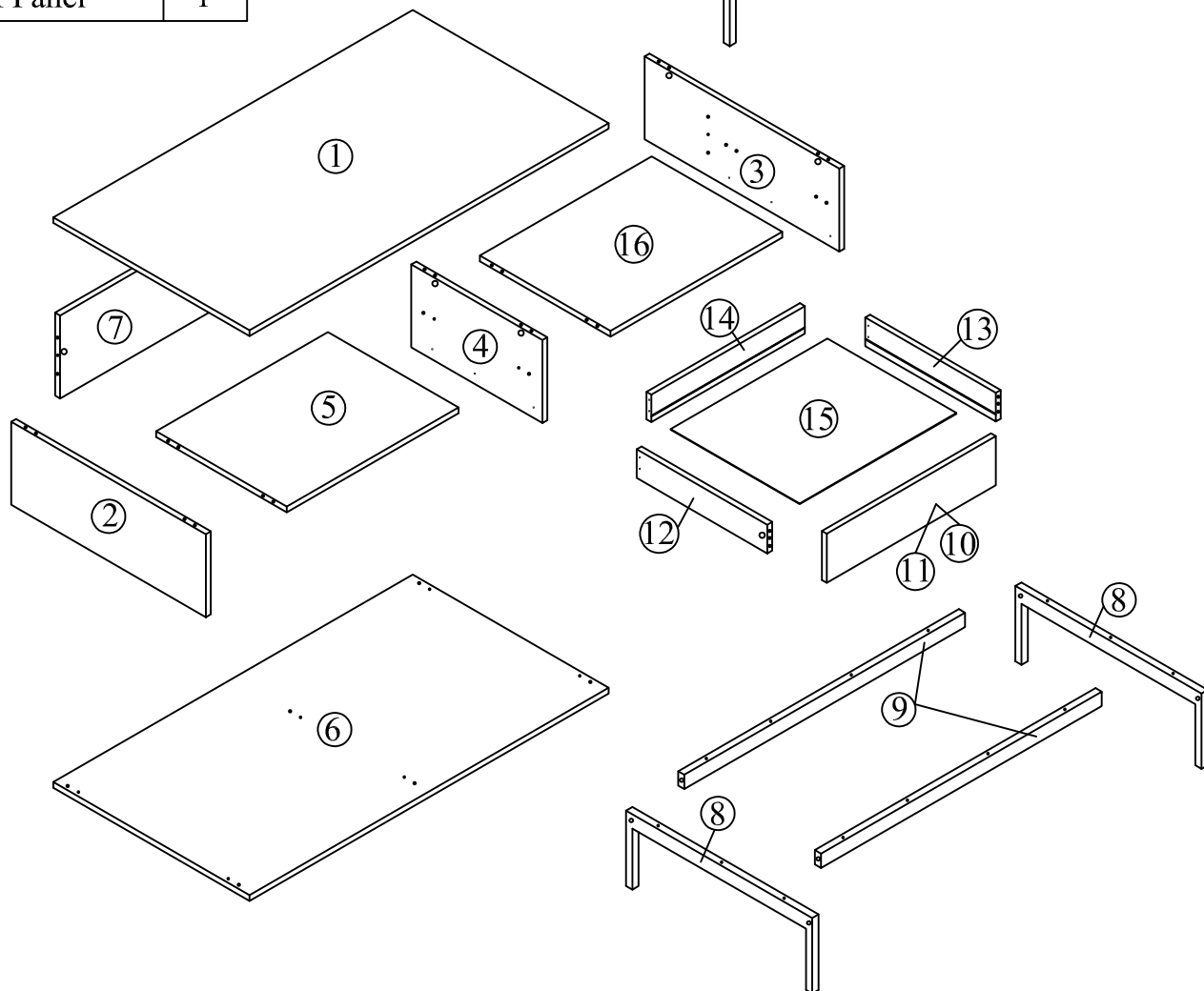
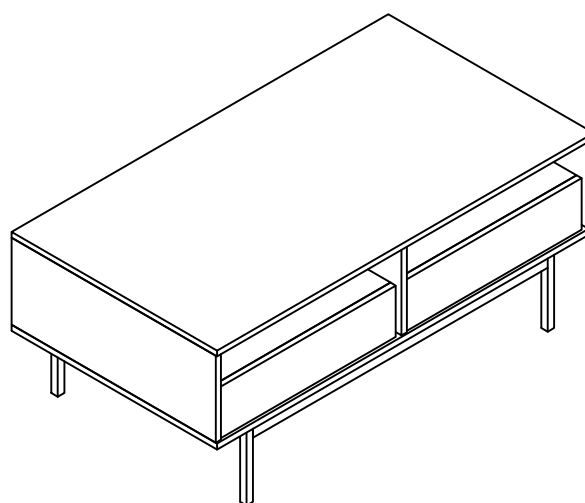
Assembly Instructions

ECOLIFE

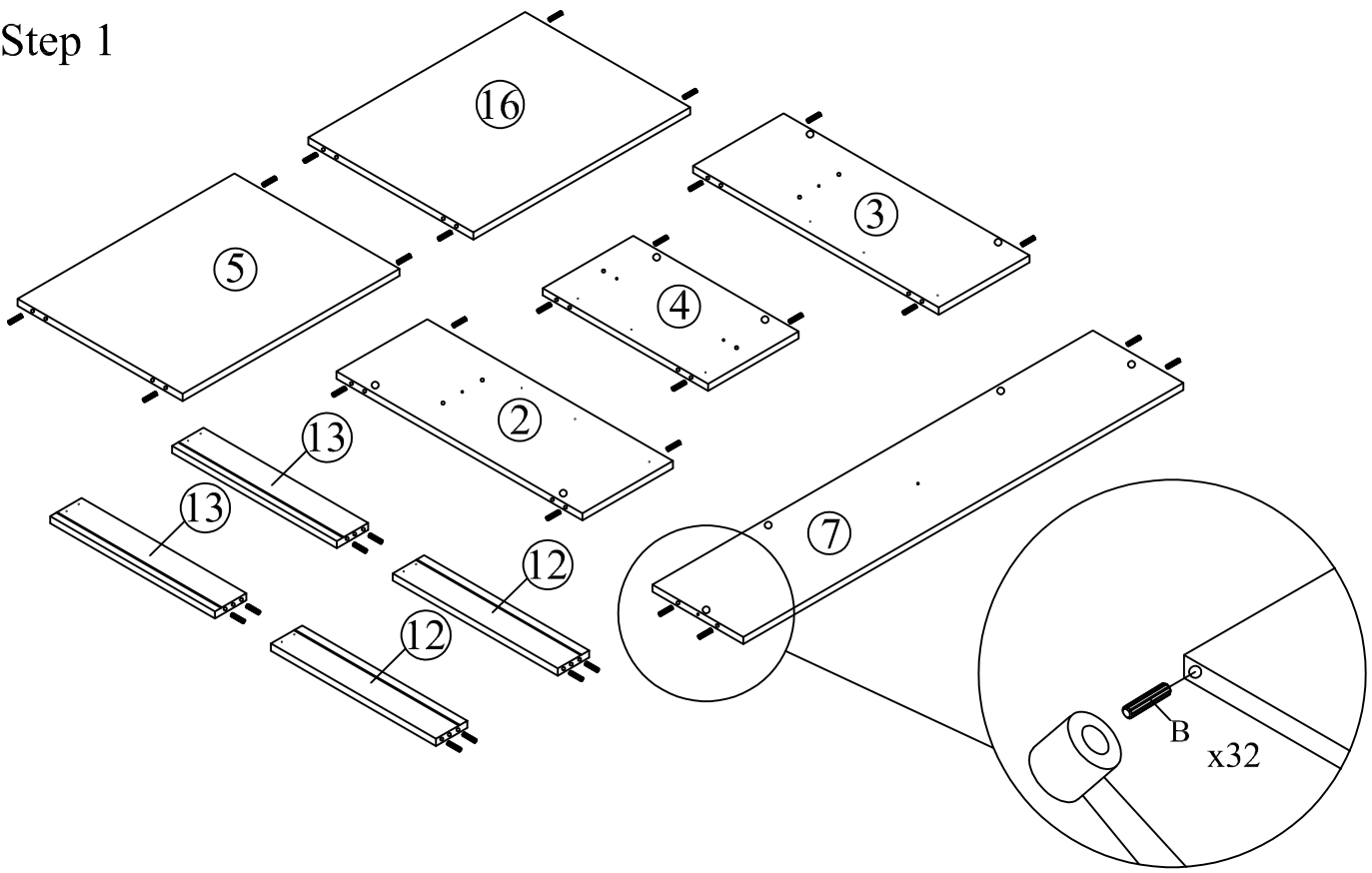
MODEL : CT 8022-BONITA SERIES COFFEE TABLE

Part List		QTY
1	Top Panel	1
2	Left Side Panel	1
3	Right Side Panel	1
4	Middle Panel	1
5	Left Shelf Panel	1
6	Bottom Panel	1
7	Back Panel	1
8	Metal Legs	2
9	Metal Support Legs	2
10	Drawer Front Panel (L)	1
11	Drawer Front Panel (R)	1
12	Drawer Side Panel (L)	2
13	Drawer Side Panel (R)	2
14	Drawer Back Panel	2
15	Drawer Bottom Panel	2
16	Right Shelf Panel	1

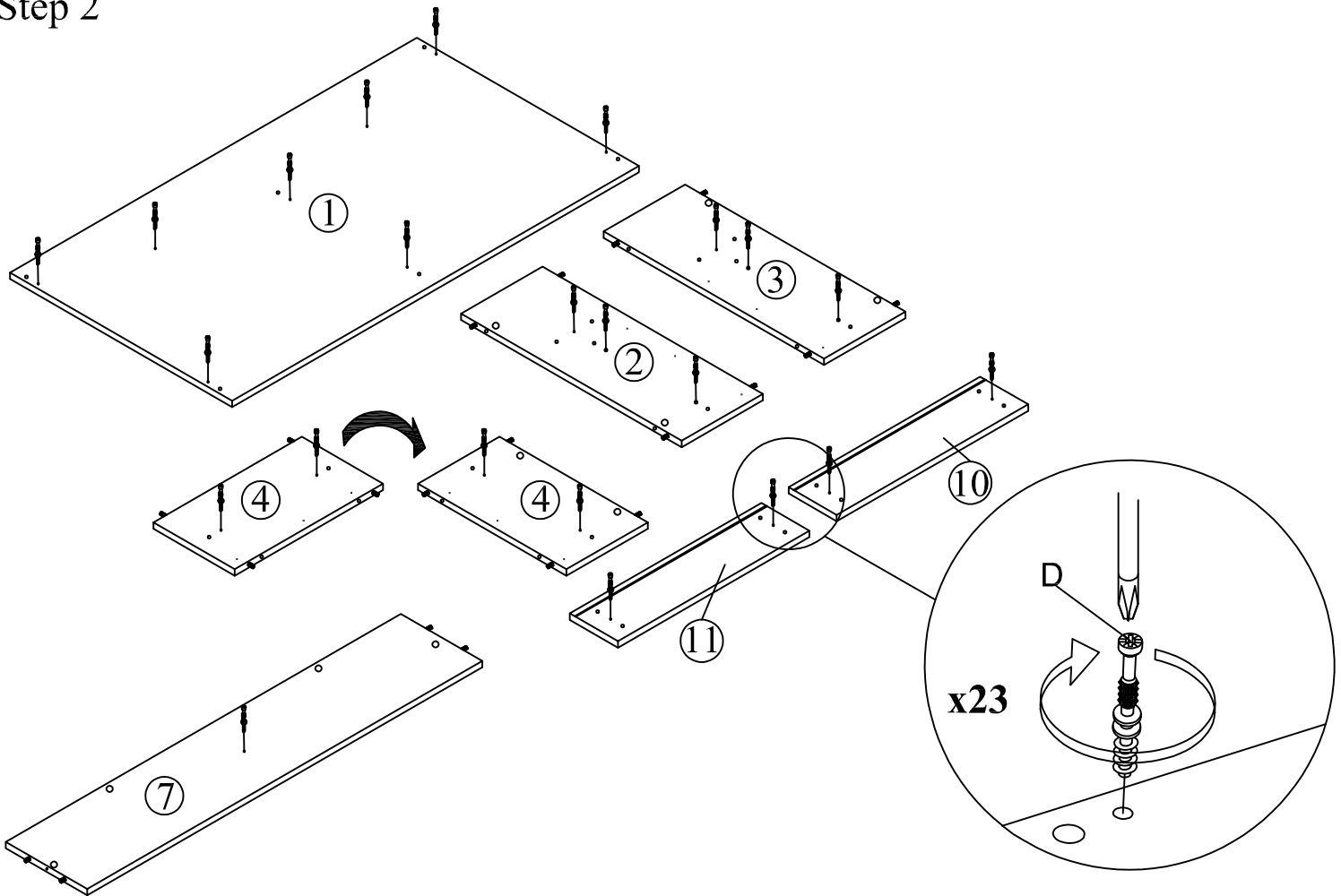
Hardware		QTY
A	Allen Key M4 	1
B	Plastic Dowel 	32
C	JCBC W Screw M6x40 	6
D	Mini Fix Bolt 	23
E	Mini Fix Housing 	23
F	Mini Fix Cap 	23
G	14" Drawer Slide 	2 set
H	CSK Screw M4x50mm 	22
I	CSK Screw M3.5x16mm 	24
J	JCBC Screw M6x50 + M6 Flat Washer 	4



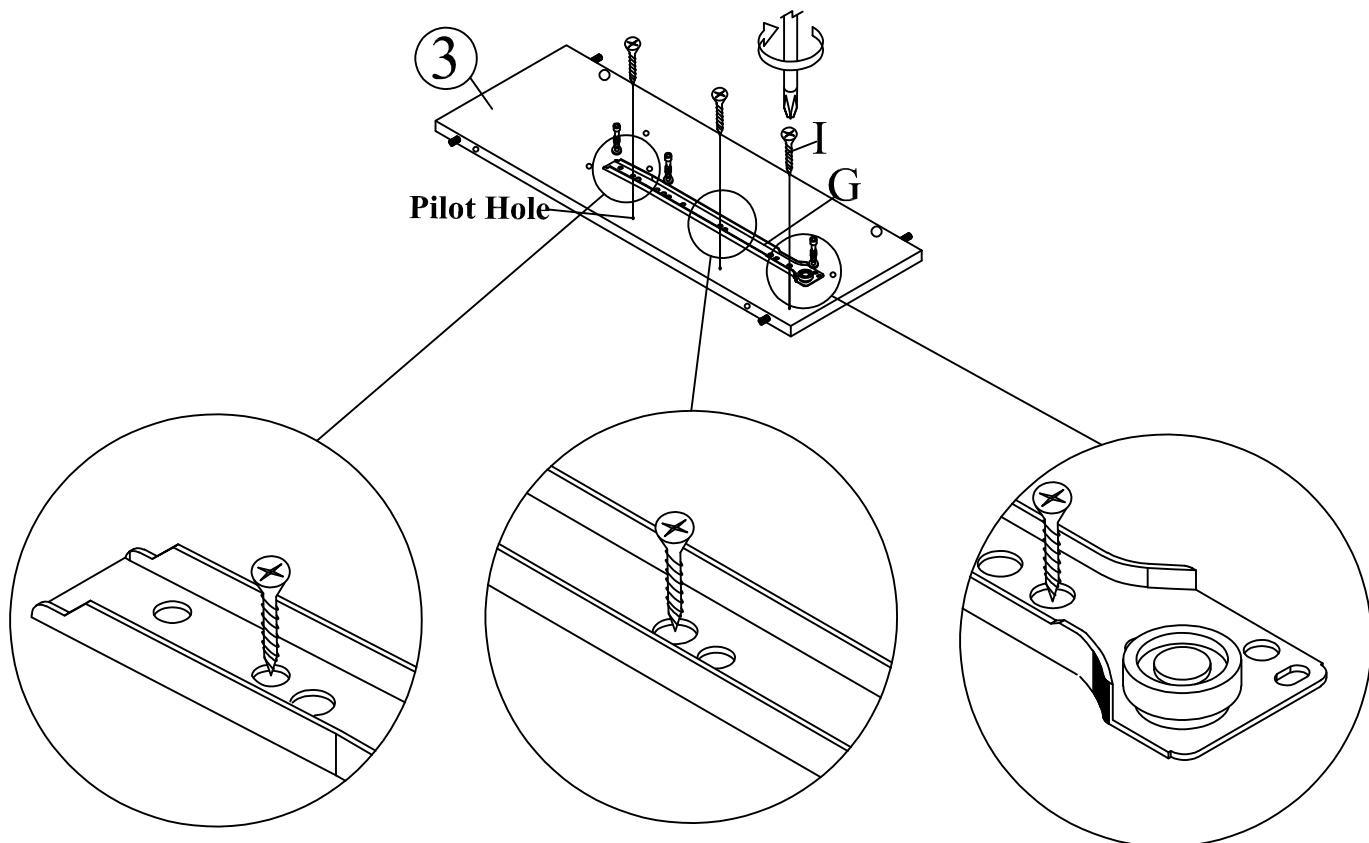
Step 1



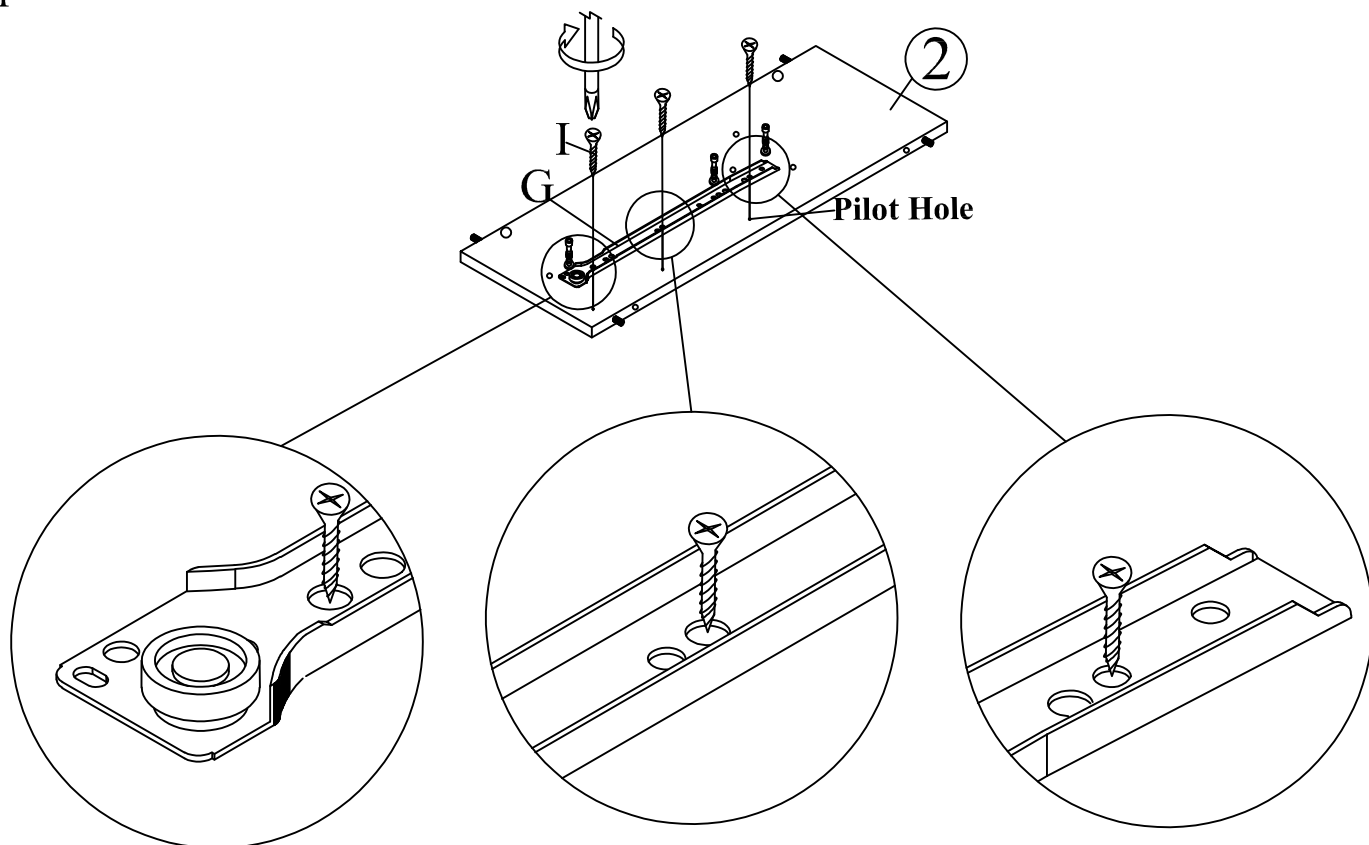
Step 2



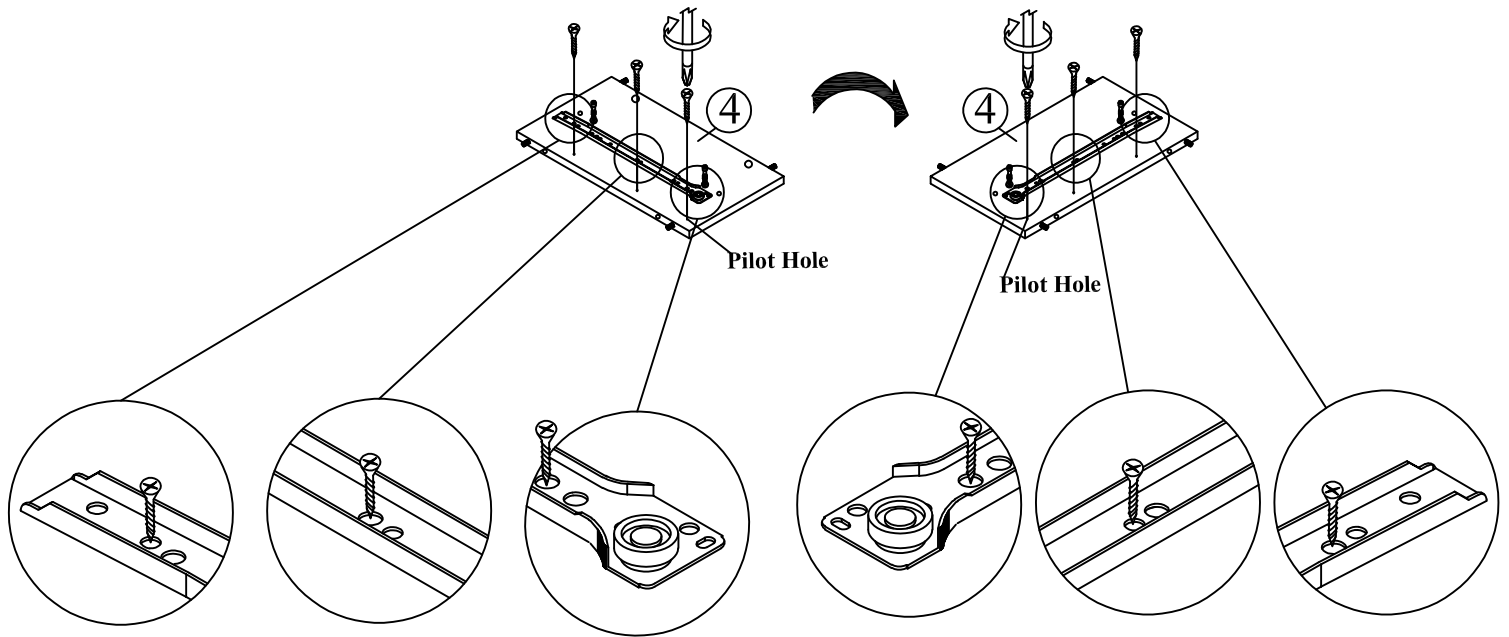
Step 3



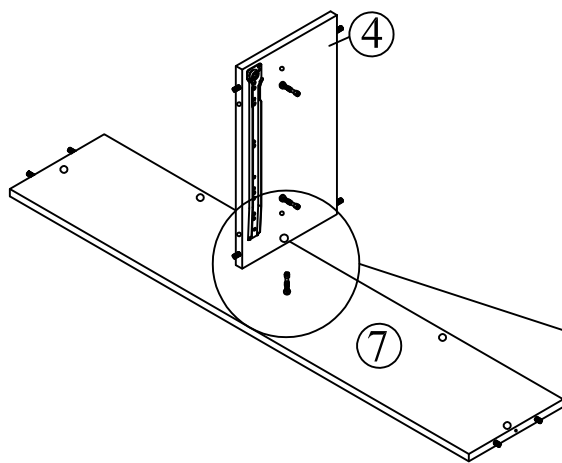
Step 4



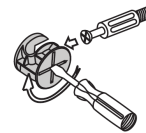
Step 5



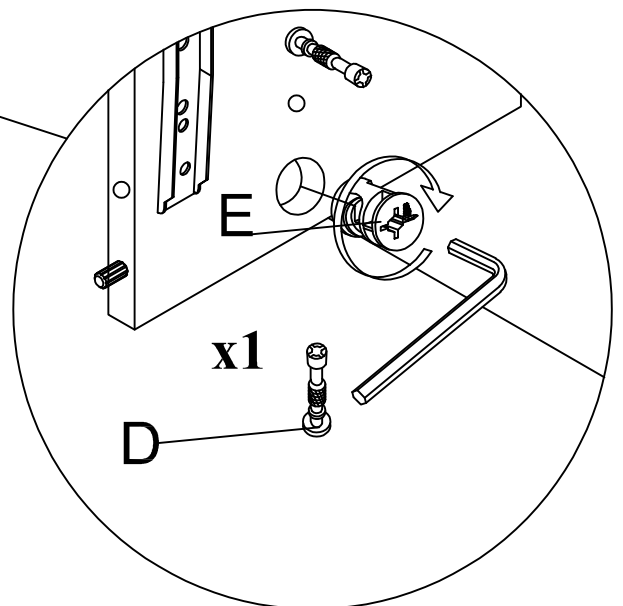
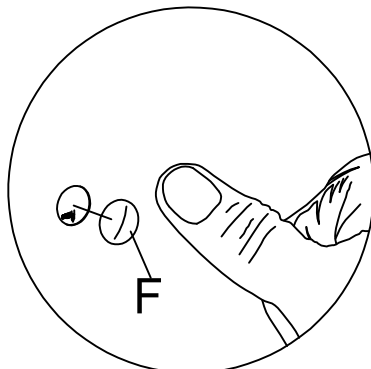
Step 6



This is how a mini fix works...

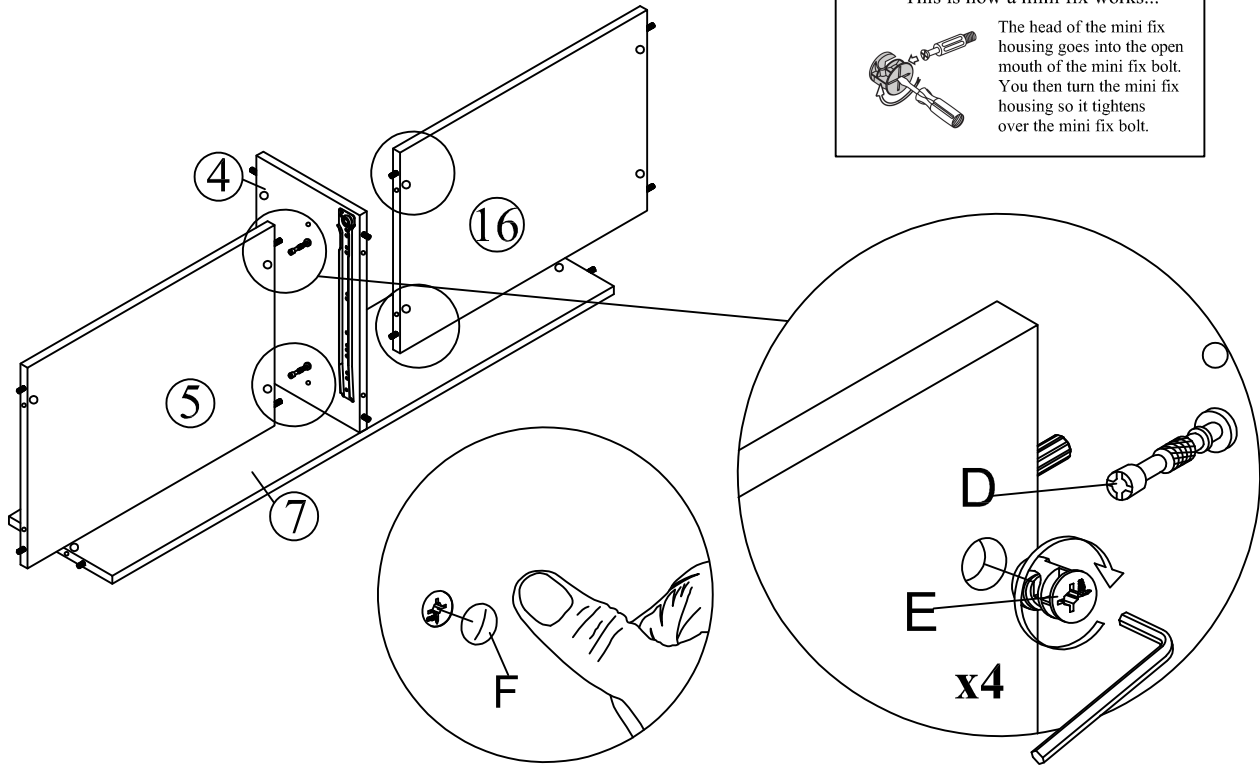


The head of the mini fix housing goes into the open mouth of the mini fix bolt. You then turn the mini fix housing so it tightens over the mini fix bolt.



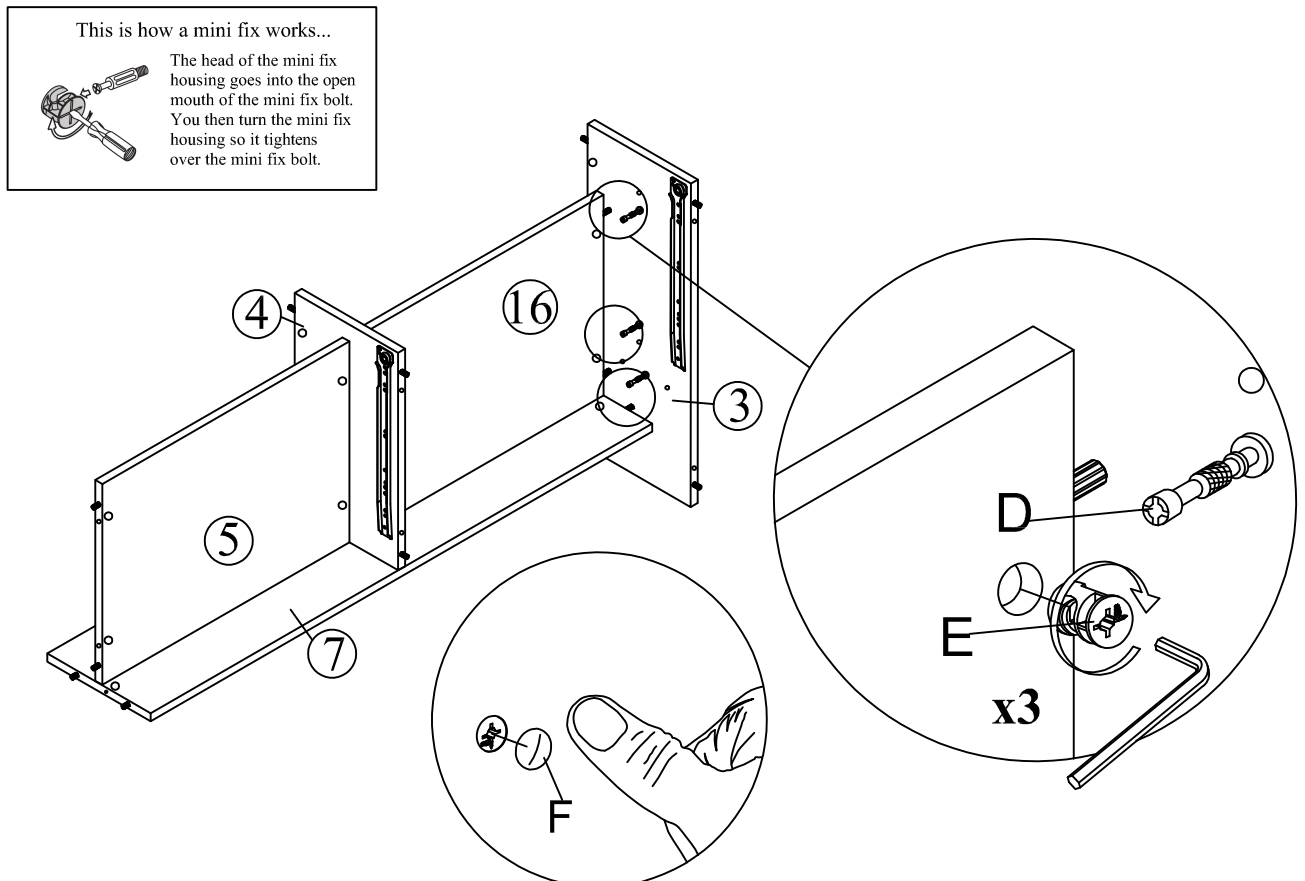
***Attach Minifix Cap as shown.**

Step 7



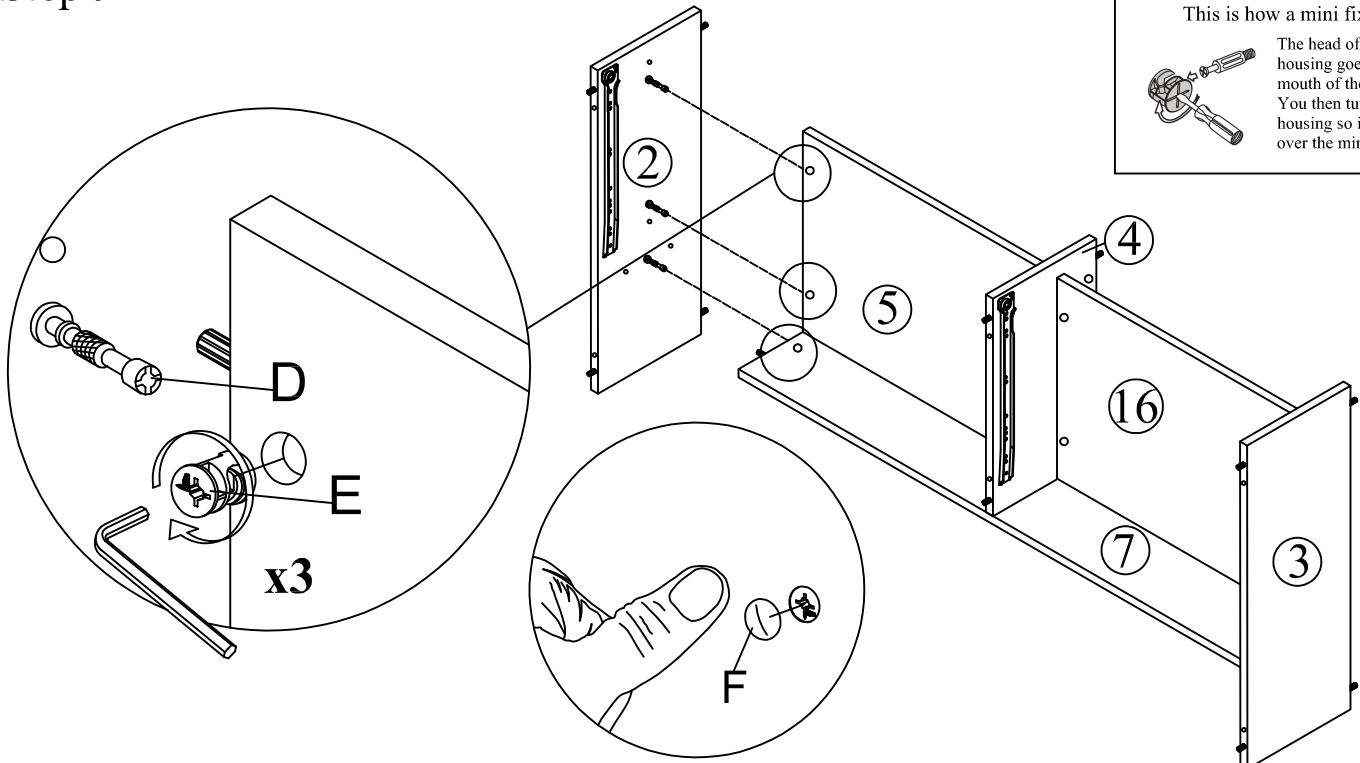
***Attach Minifix Cap as shown.**

Step 8

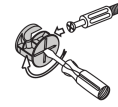


***Attach Minifix Cap as shown.**

Step 9



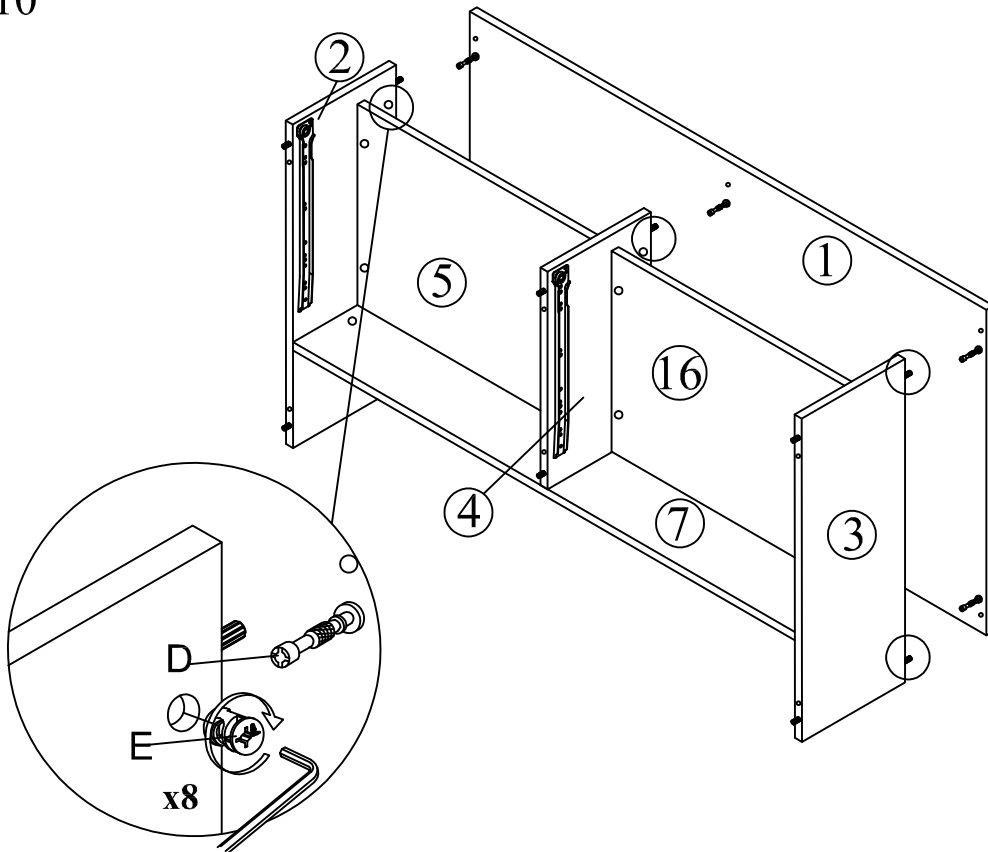
This is how a mini fix works...



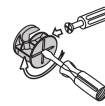
The head of the mini fix housing goes into the open mouth of the mini fix bolt. You then turn the mini fix housing so it tightens over the mini fix bolt.

**Attach Minifix Cap as shown.*

Step 10



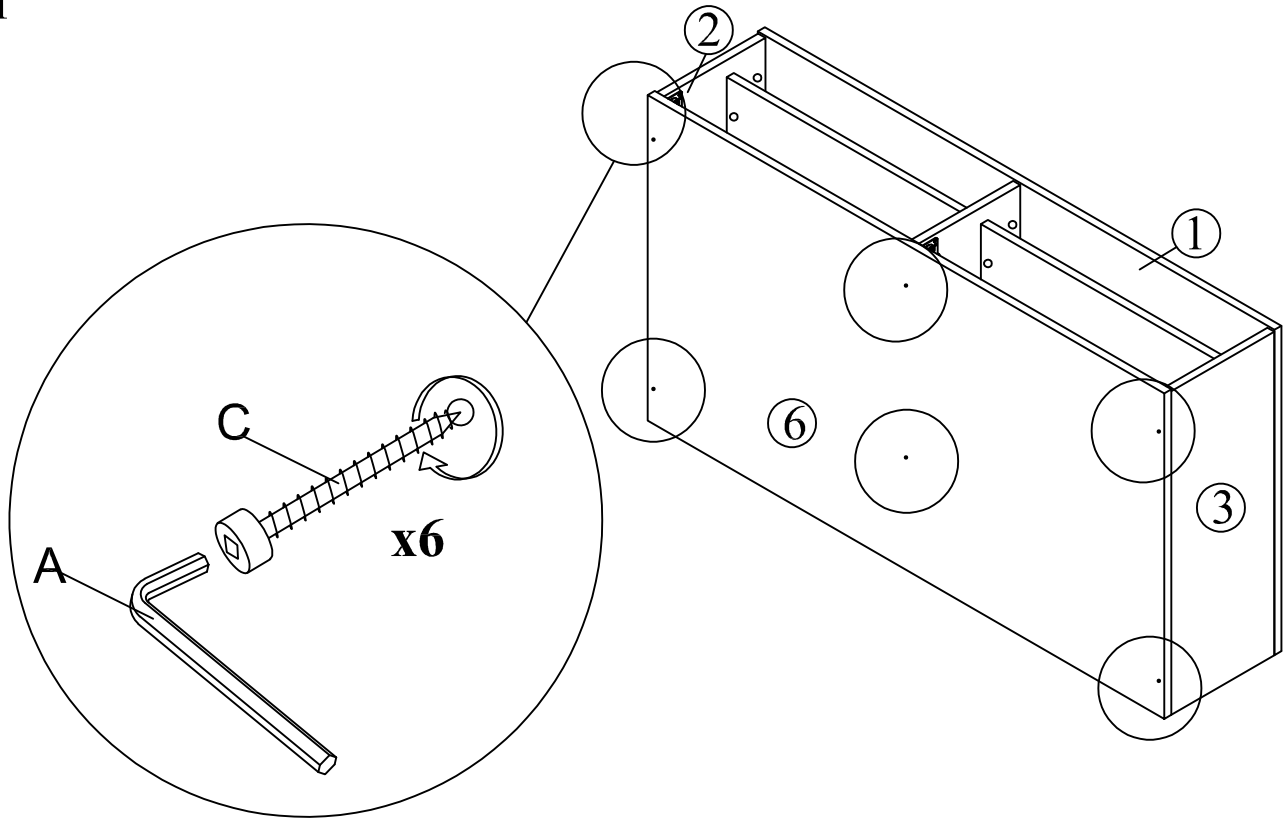
This is how a mini fix works...



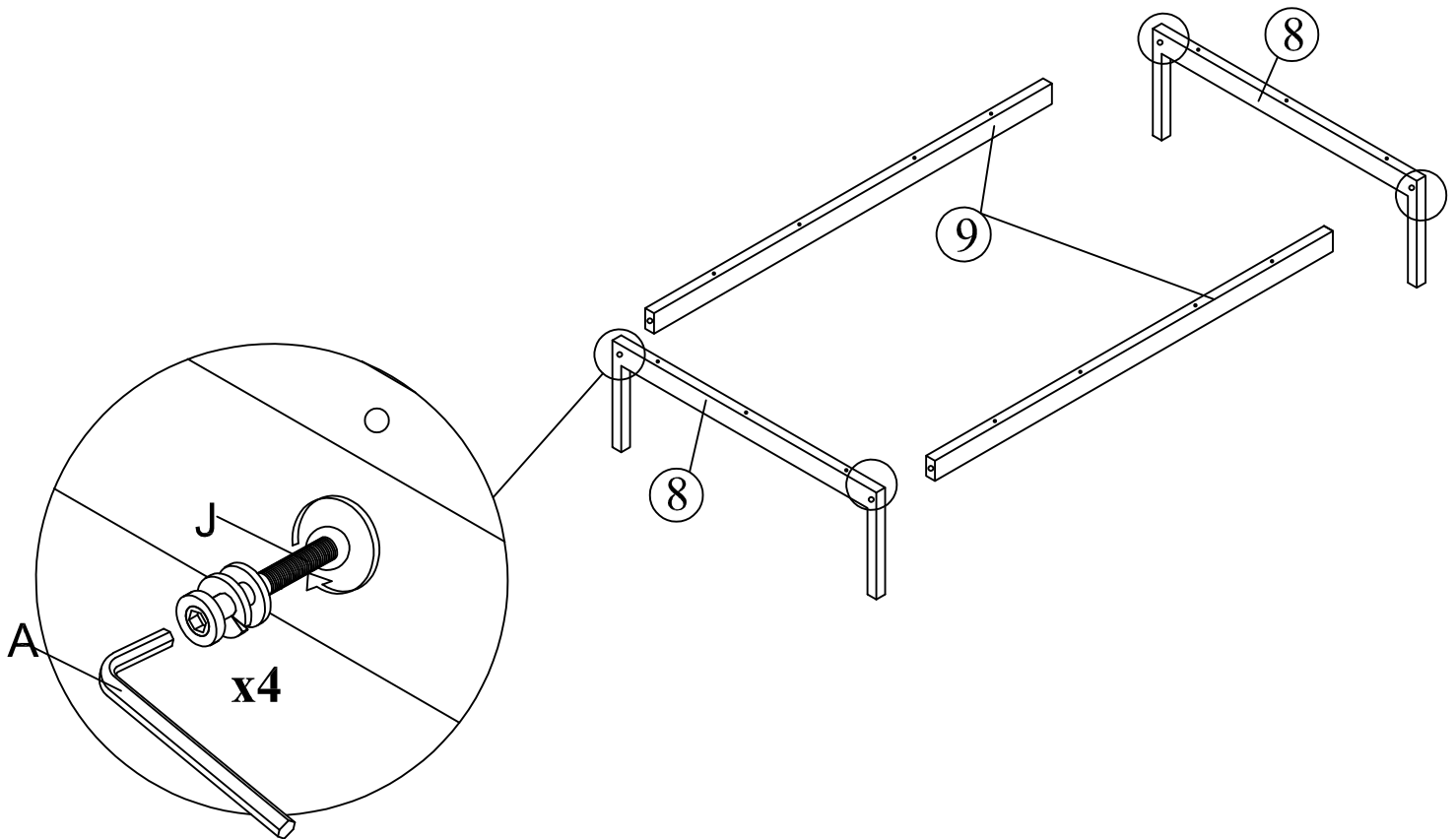
The head of the mini fix housing goes into the open mouth of the mini fix bolt. You then turn the mini fix housing so it tightens over the mini fix bolt.

**Attach Minifix Cap as shown.*

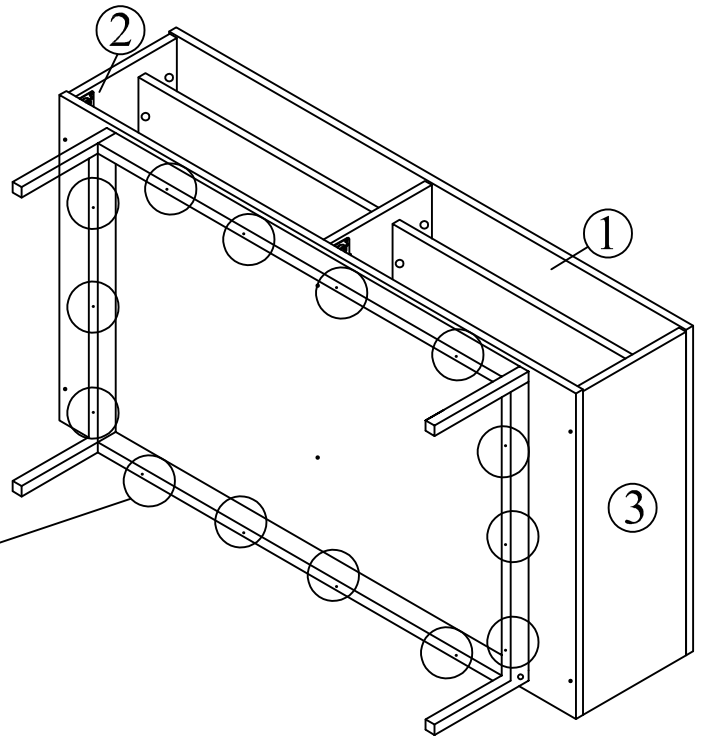
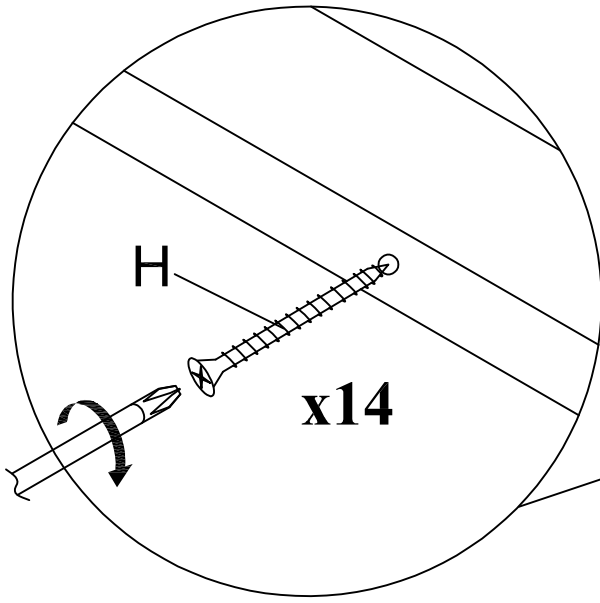
Step 11



Step 12

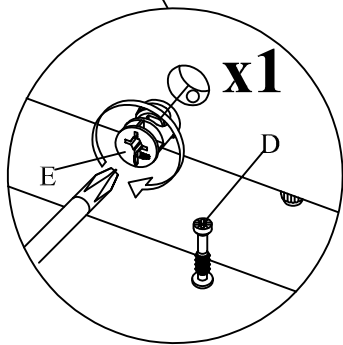
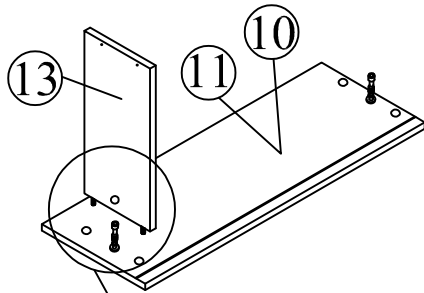


Step 13

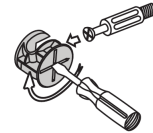


Step 14

Step 14.1

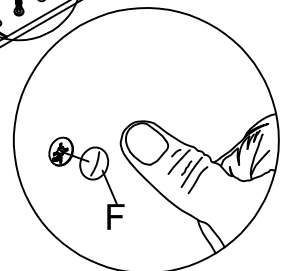
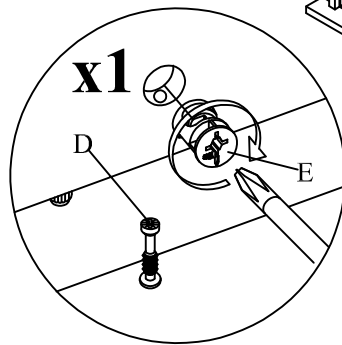
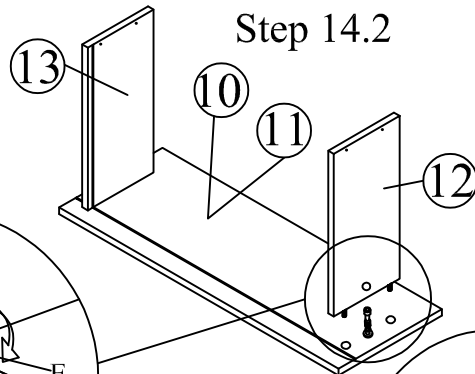


This is how a mini fix works...
The head of the mini fix housing goes into the open mouth of the mini fix bolt. You then turn the mini fix housing so it tightens over the mini fix bolt.



x2 **x2**

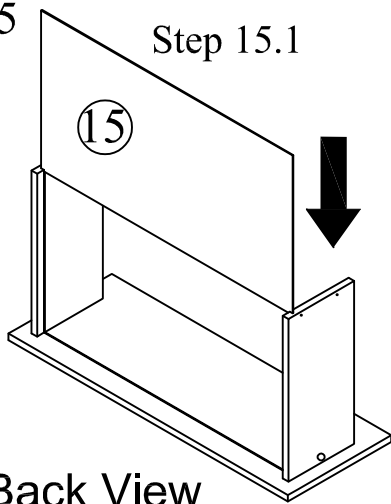
Step 14.2



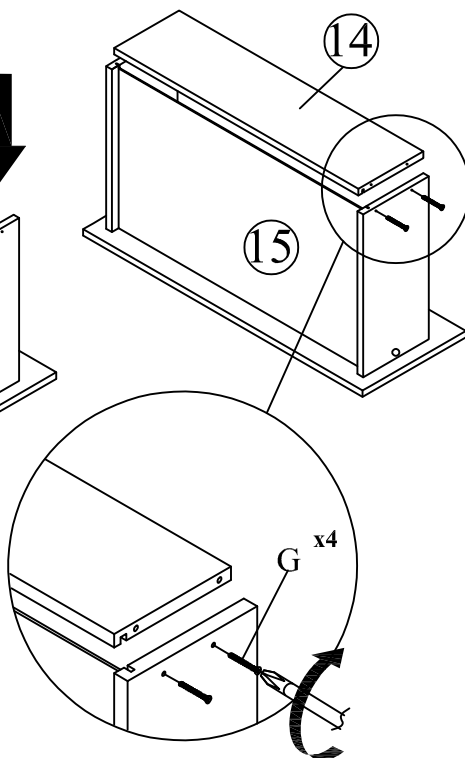
*Attach Minifix Cap as shown.

Step 15

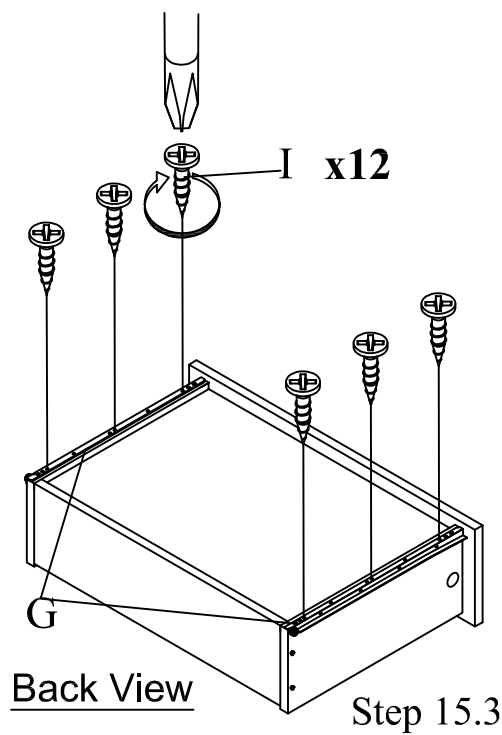
Step 15.1



Step 15.2



x2



Step 16

