

Assembly Instructions

ECOLIFE

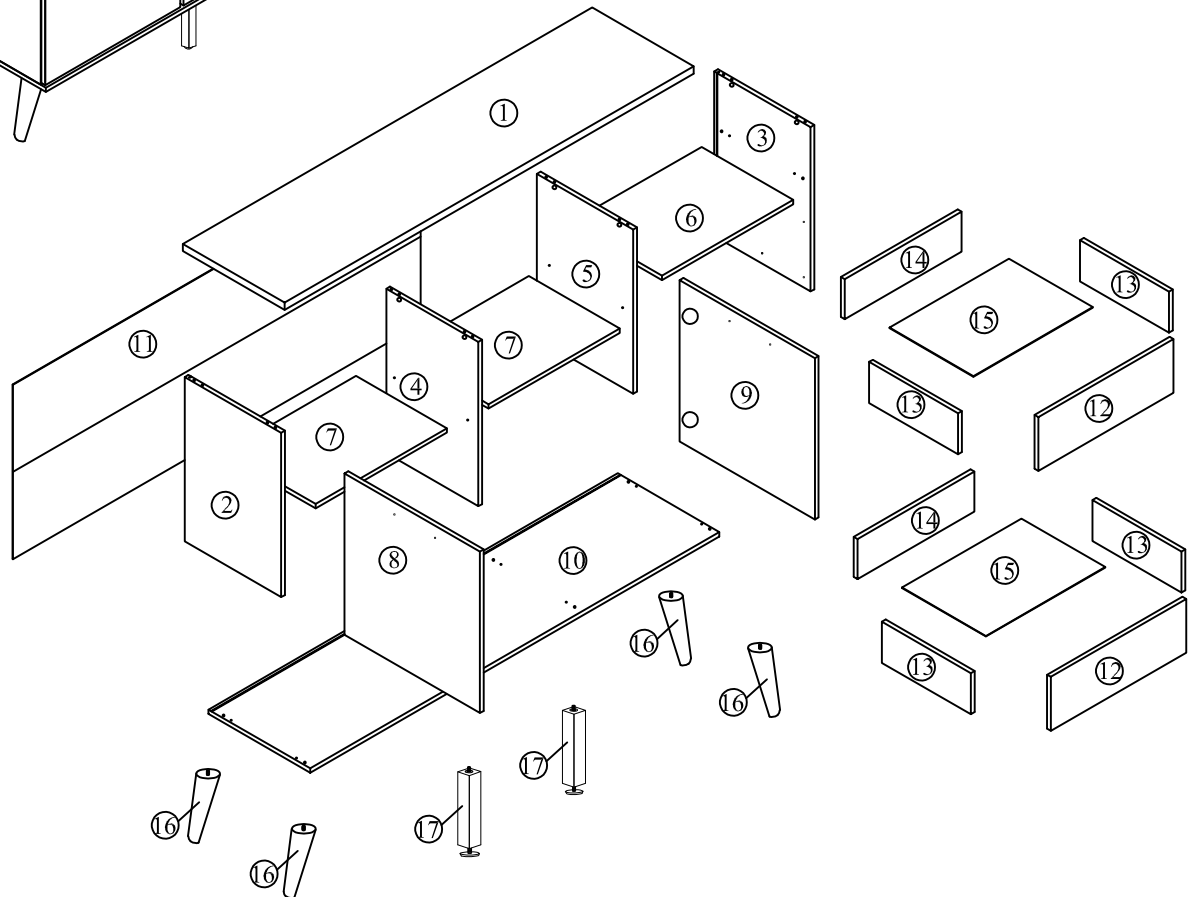
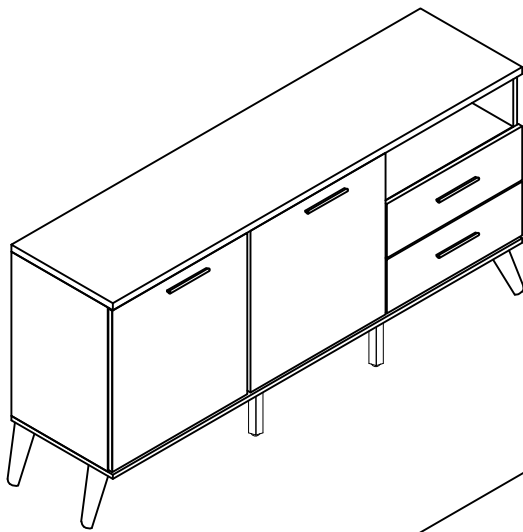
MODEL : MPC 8036-B-LIANO SERIES MULTI PURPOSE CABINET

Part List	QTY
1 Top Panel	1
2 Left Side Panel	1
3 Right Side Panel	1
4 Left Middle Panel	1
5 Right Middle Panel	1
6 Drawer Shelf	1
7 Shelf	2
8 Door Panel (L)	1
9 Door Panel (R)	1
10 Bottom Panel	1
11 Back Panel	1

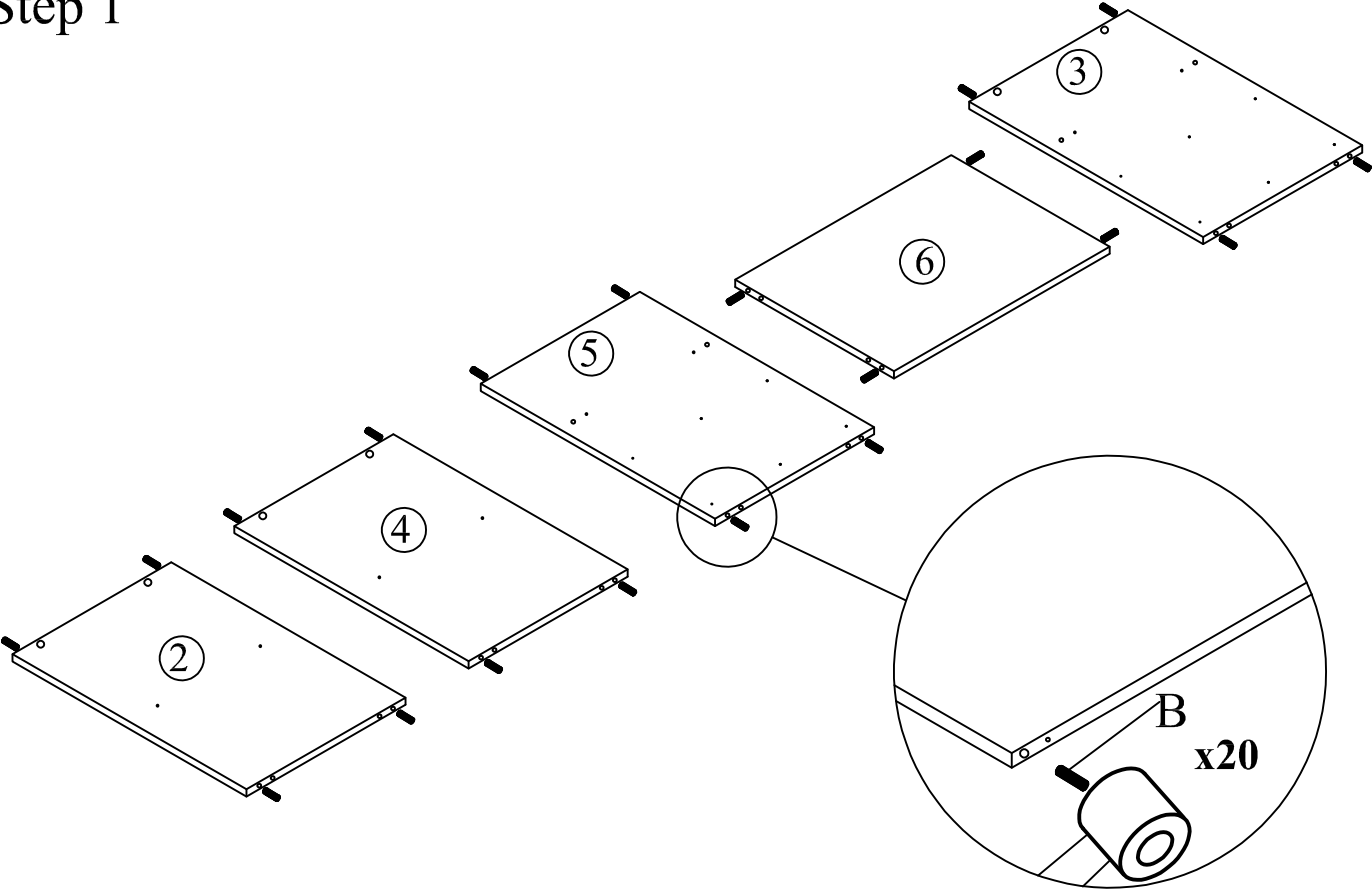
12 Drawer Front Panel	2
13 Drawer Side Panel	4
14 Drawer Back Panel	2
15 Drawer Bottom Panel	2
16 Legs	4
17 Center Legs	2

Hardware	QTY
A Allen Key M4	1
B Dowel	20
C JCBC W Screw M6x40	8
D Mini Fix Bolt	12
E Mini Fix Housing	12
F Mini Fix Cap	12
G CSK Screw M3.5x16mm	60
H Handle	4
I Handle screw 20mm	4
J Handle screw 40mm	4
K Metal Shelf Support	8

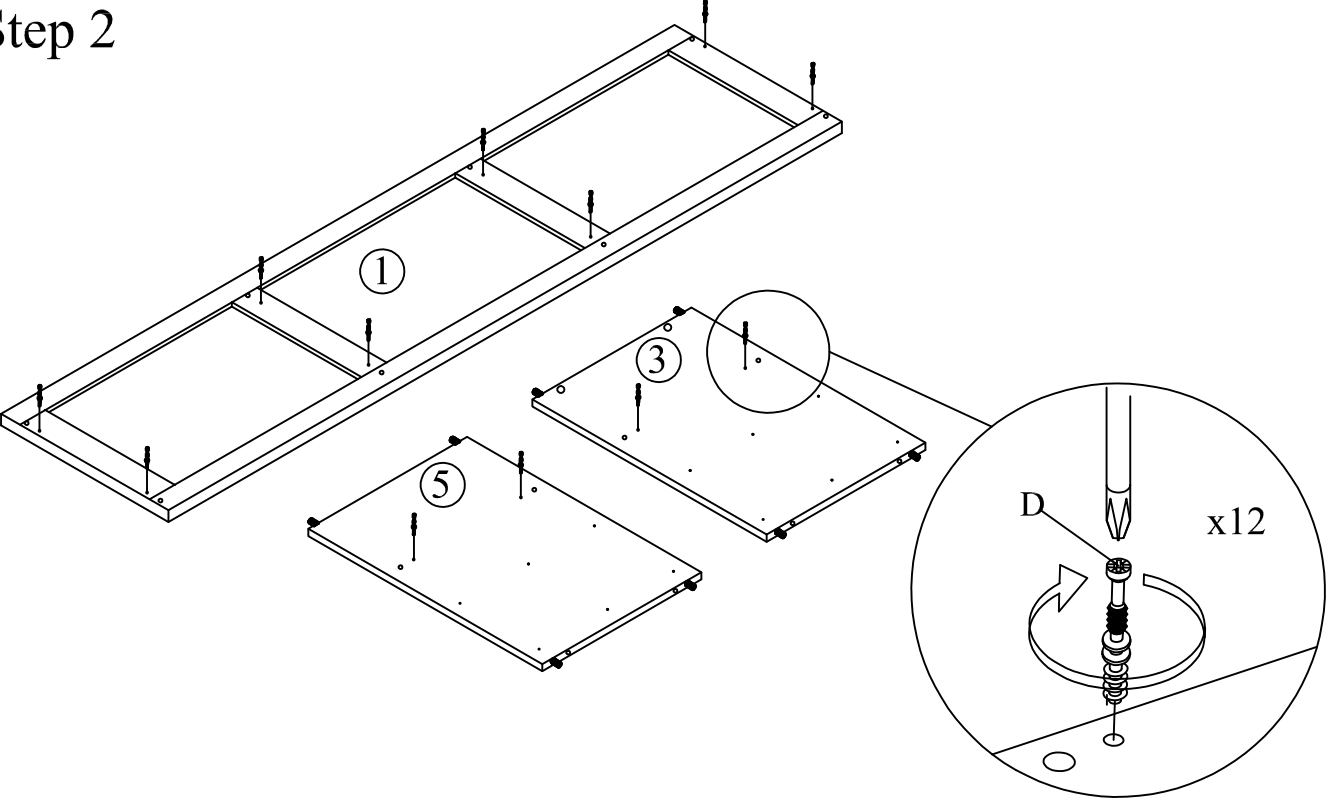
Hardware	QTY
L Hinges 5/8	4
M Drawer Slide Soft Close	2
N CSK Screw M4x50mm	16
O CSK Screw M4x20mm	24
P Mounting Leg	4
Q L Bracket	4
R Stud	4
S Center Legs Mounting	2
T Nails	12



Step 1

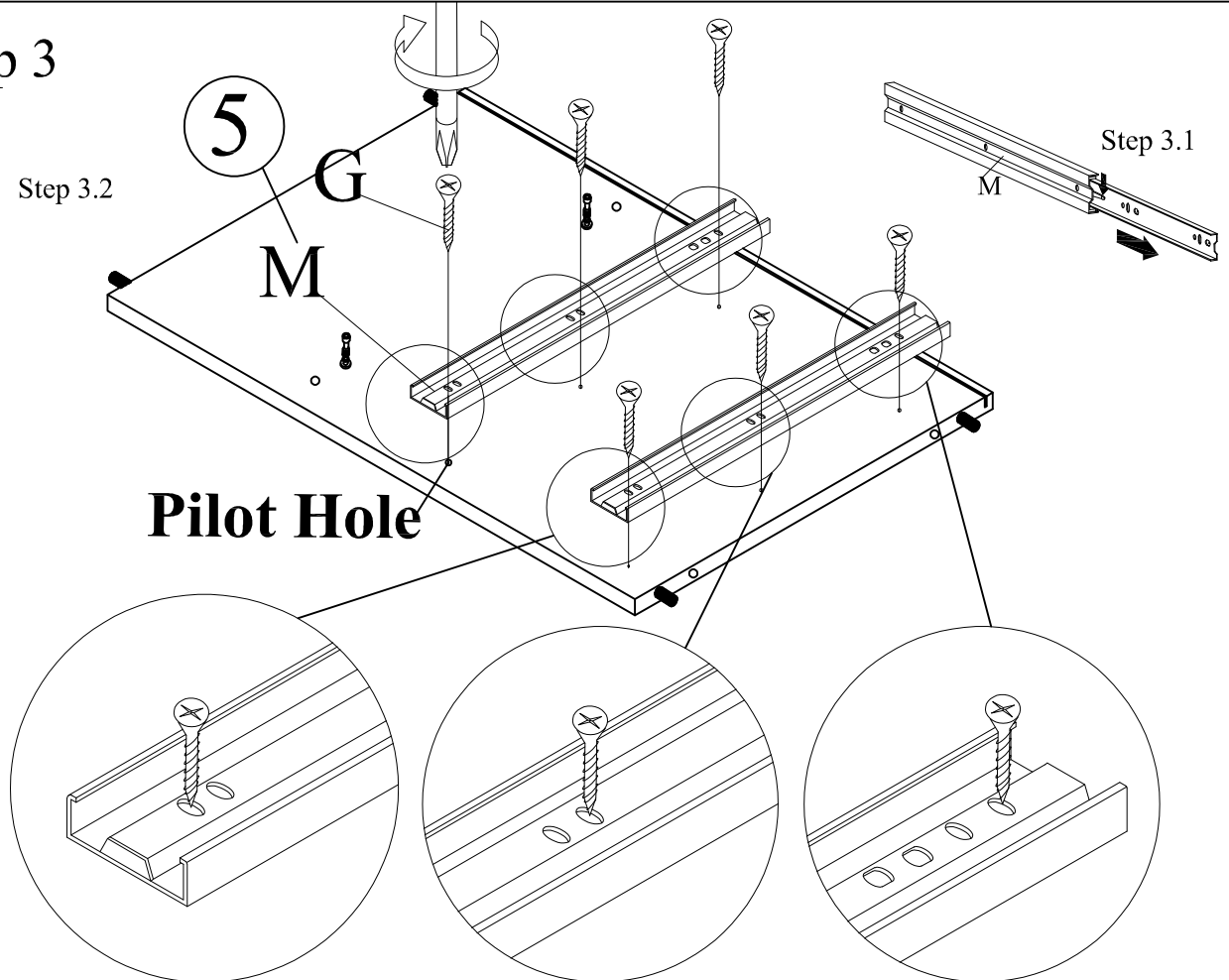


Step 2



Step 3

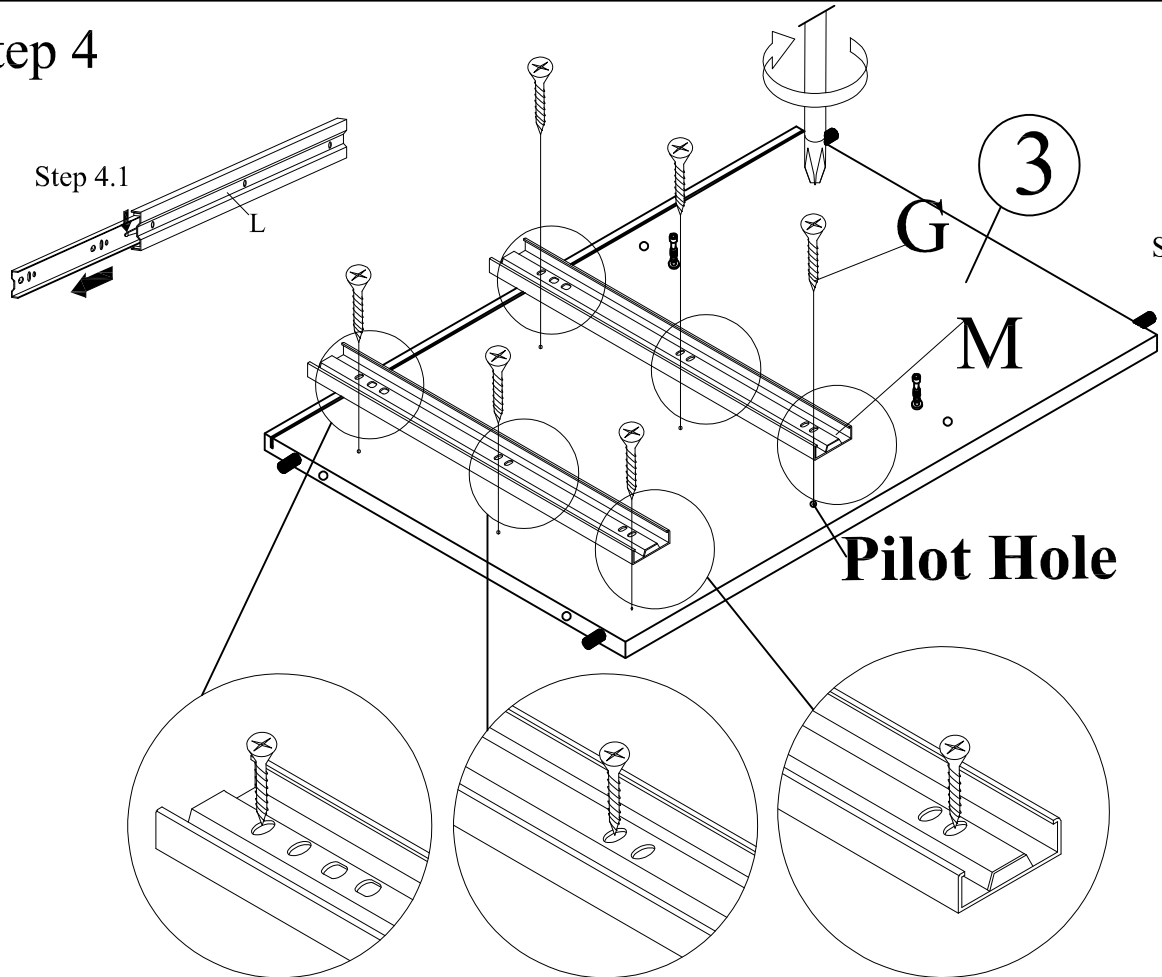
Step 3.2



Step 4


Step 4.1

Step 4.2

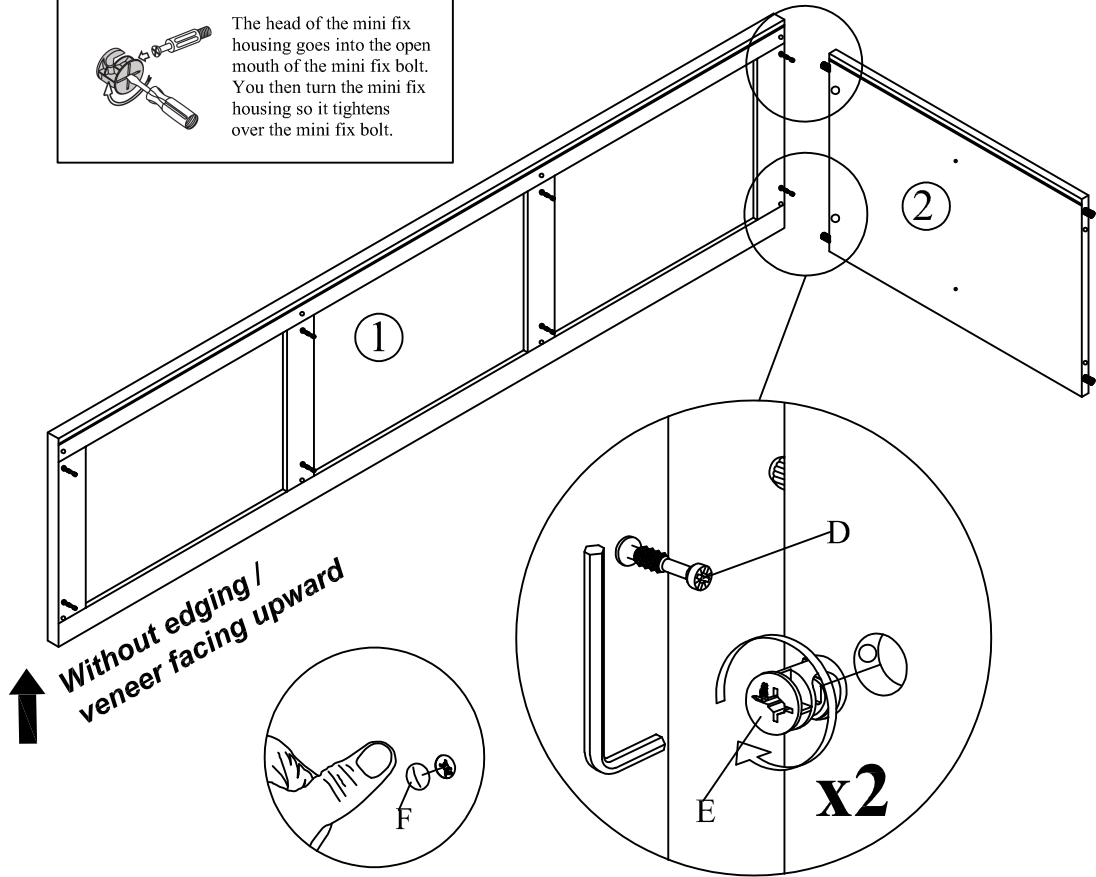


Step 5

This is how a mini fix works...




The head of the mini fix housing goes into the open mouth of the mini fix bolt. You then turn the mini fix housing so it tightens over the mini fix bolt.



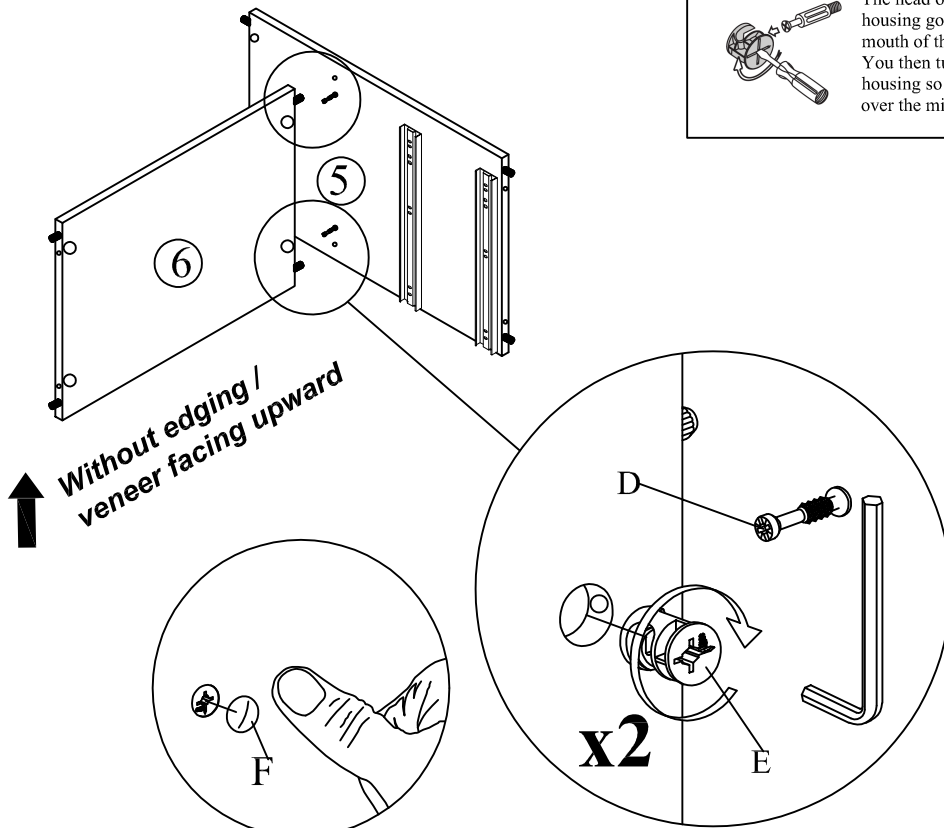
*Attach Minifix Cap as shown.

Step 6

This is how a mini fix works...

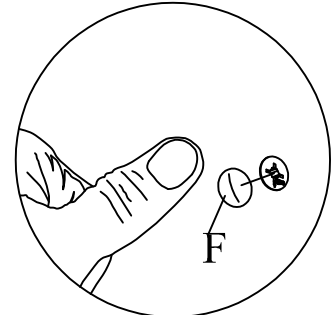
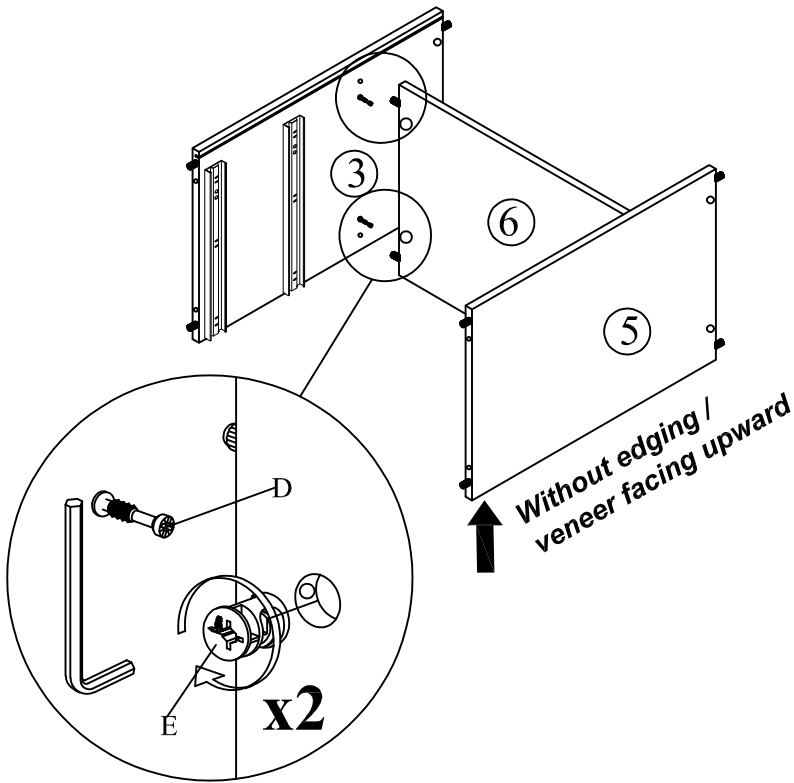


The head of the mini fix housing goes into the open mouth of the mini fix bolt. You then turn the mini fix housing so it tightens over the mini fix bolt.



Step 7

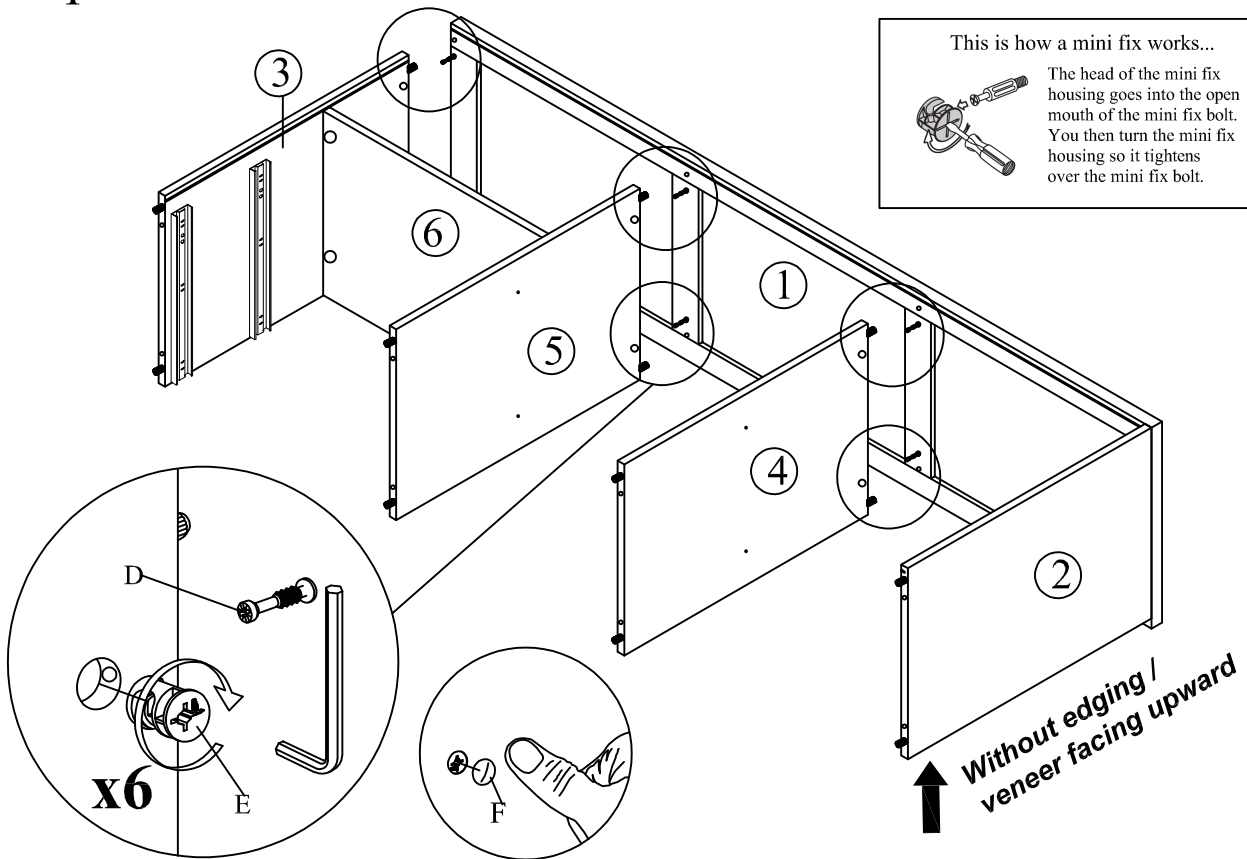
This is how a mini fix works...
The head of the mini fix housing goes into the open mouth of the mini fix bolt. You then turn the mini fix housing so it tightens over the mini fix bolt.



**Attach Minifix Cap as shown.*

Step 8

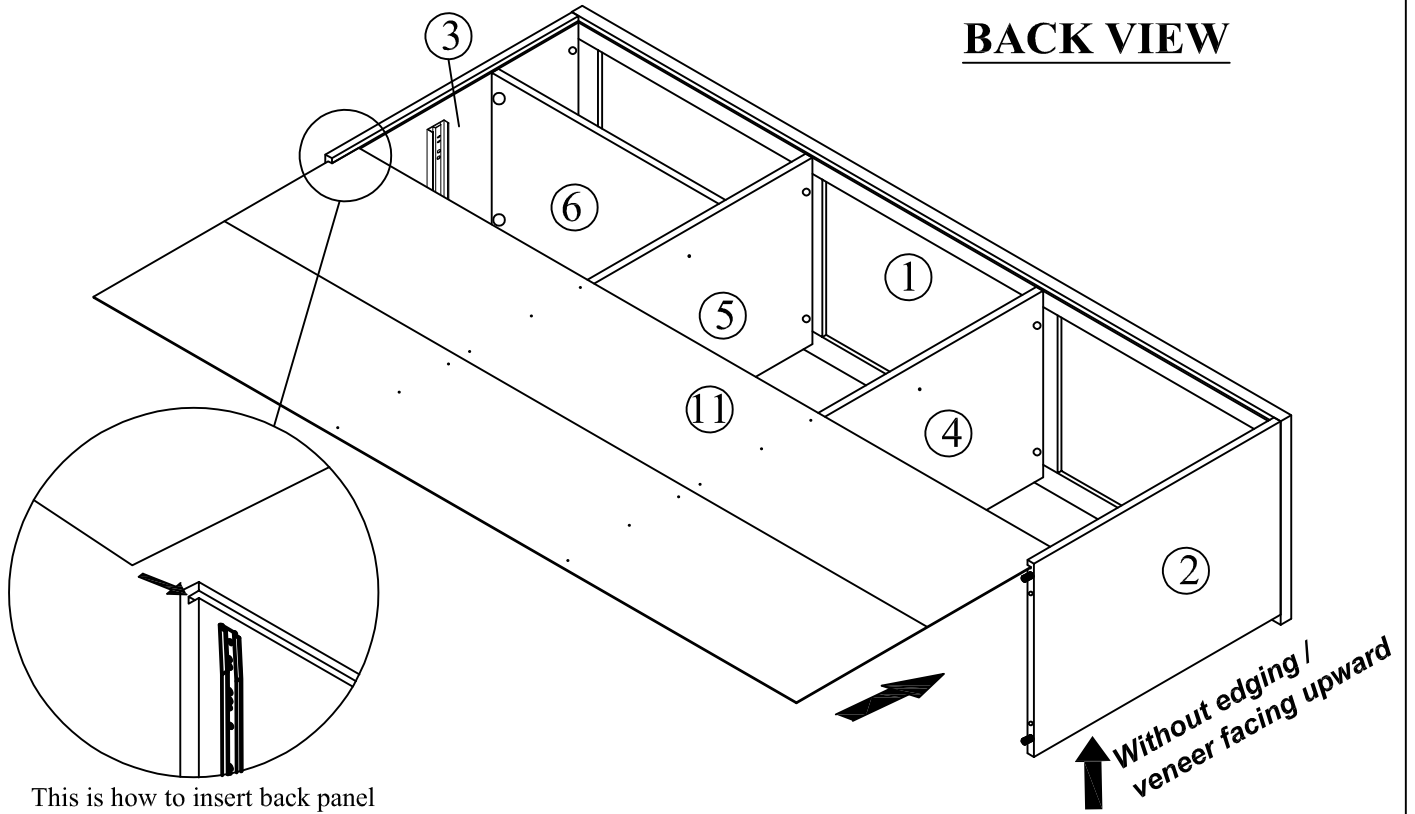
This is how a mini fix works...
The head of the mini fix housing goes into the open mouth of the mini fix bolt. You then turn the mini fix housing so it tightens over the mini fix bolt.



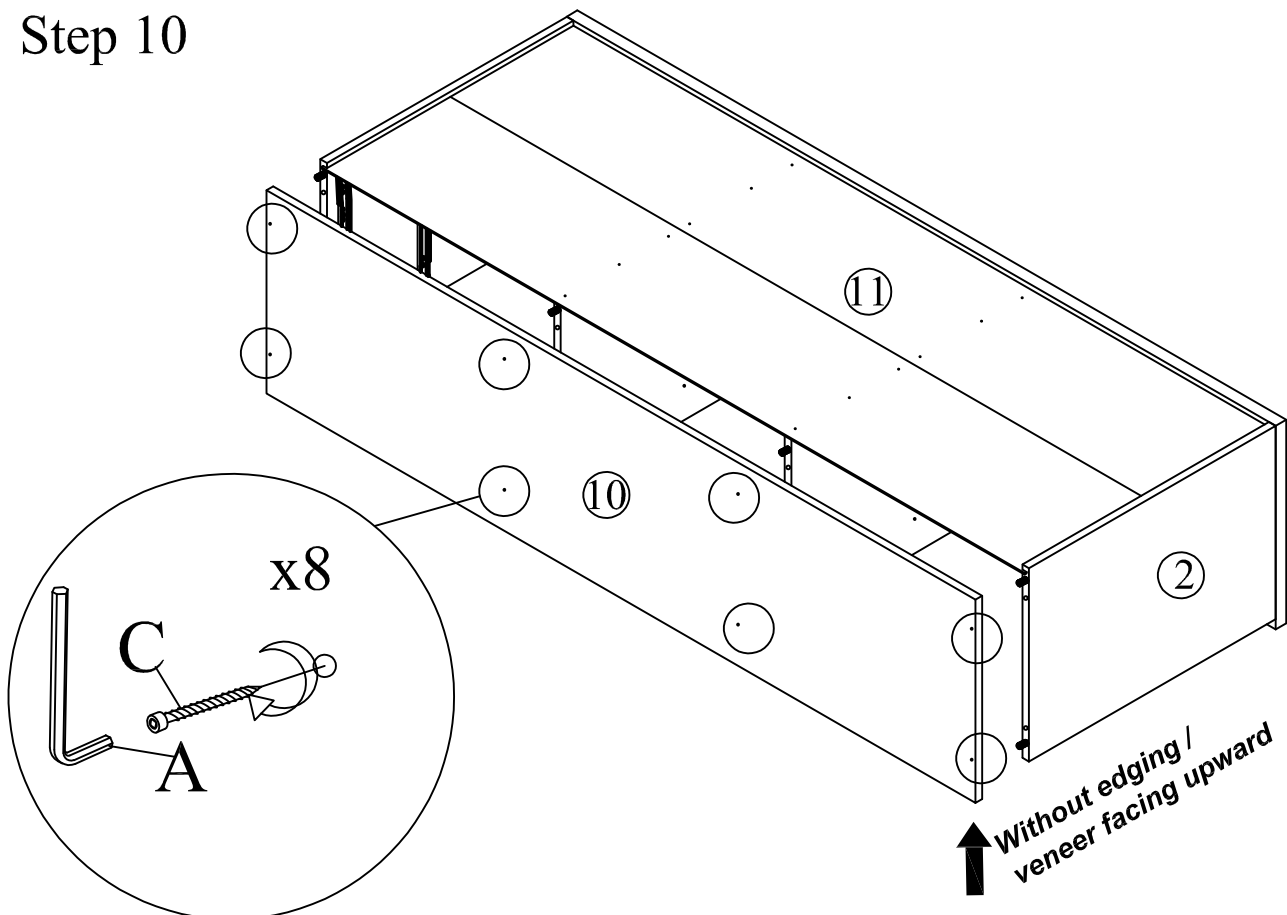
**Attach Minifix Cap as shown.*

Step 9

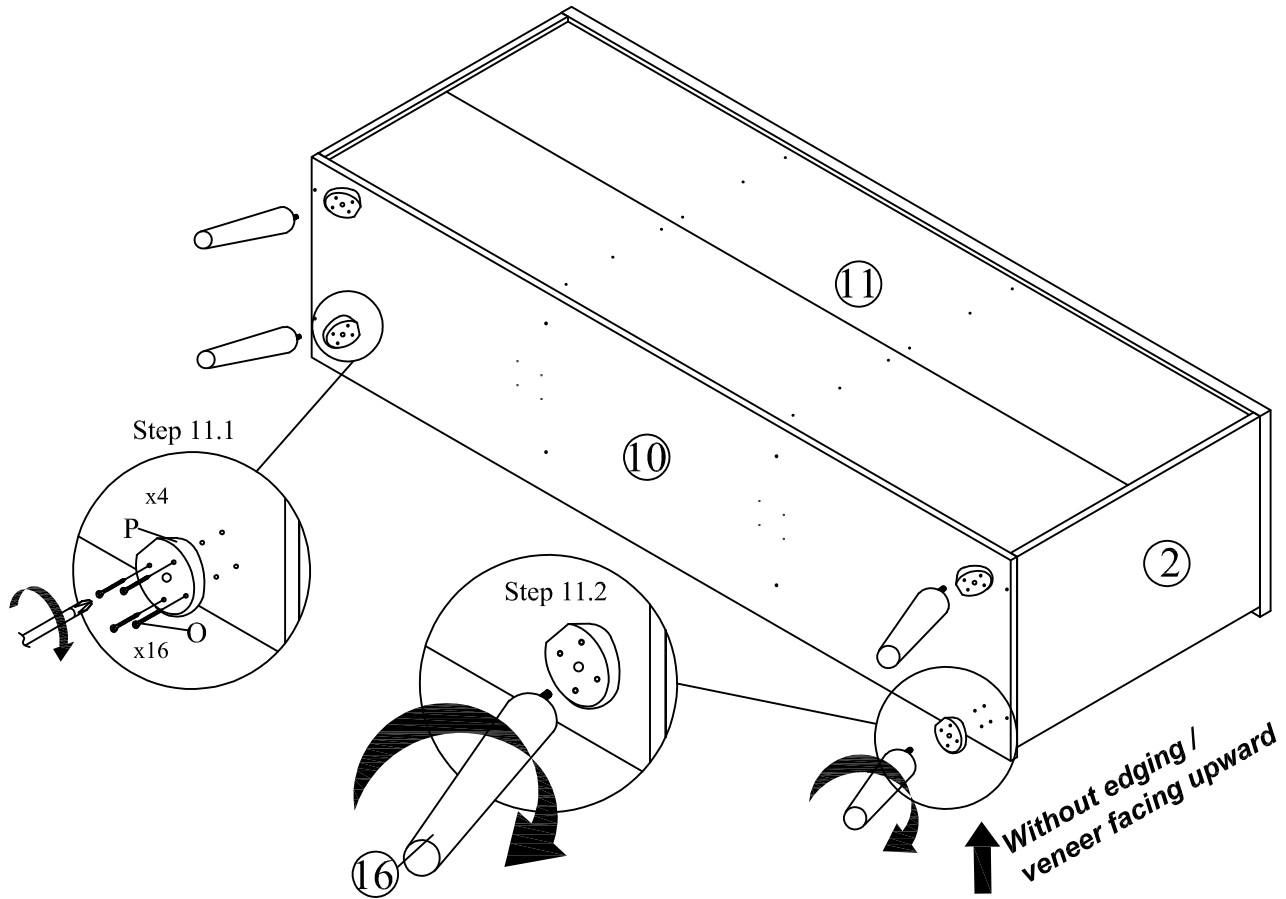
BACK VIEW



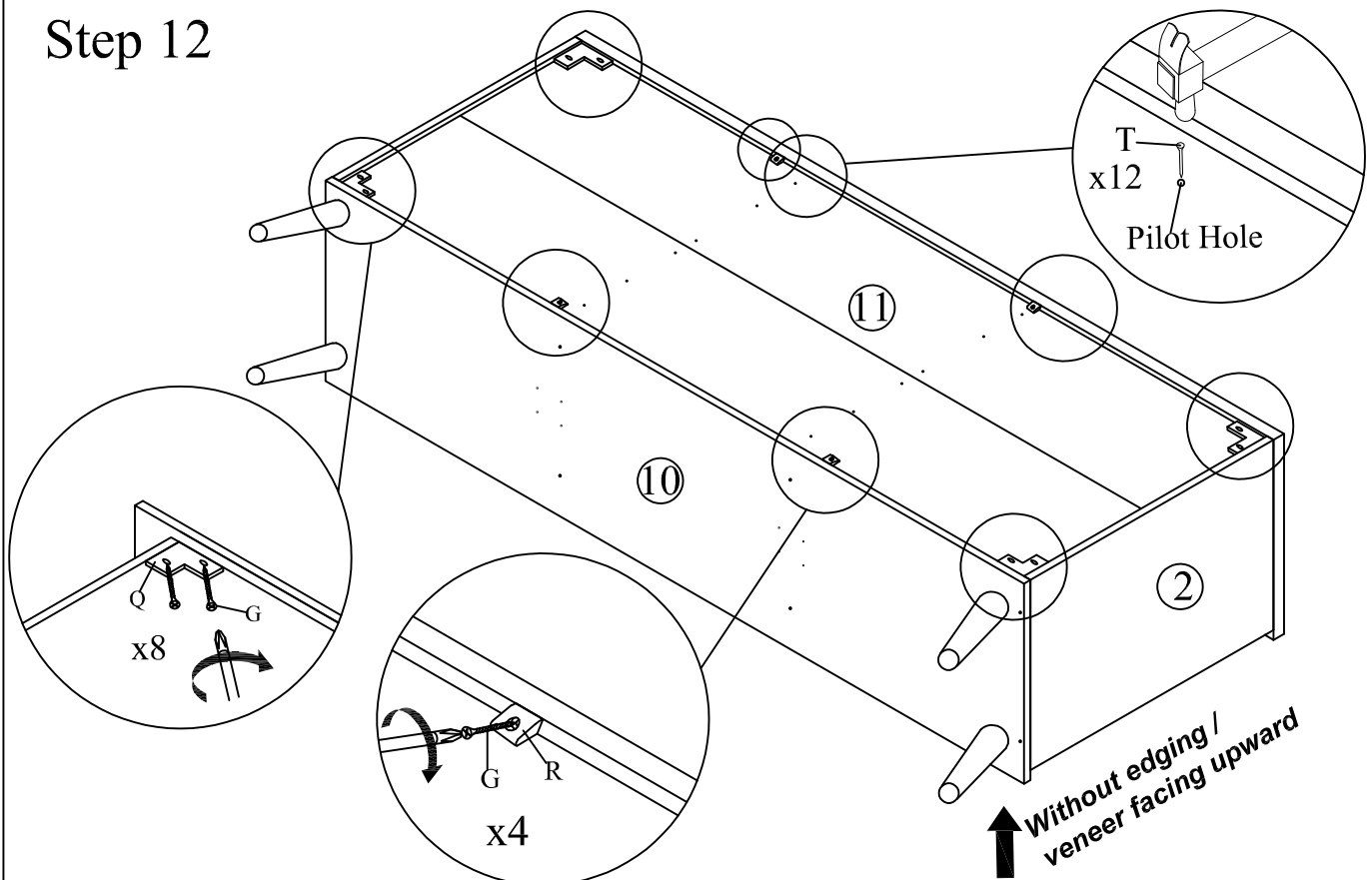
Step 10



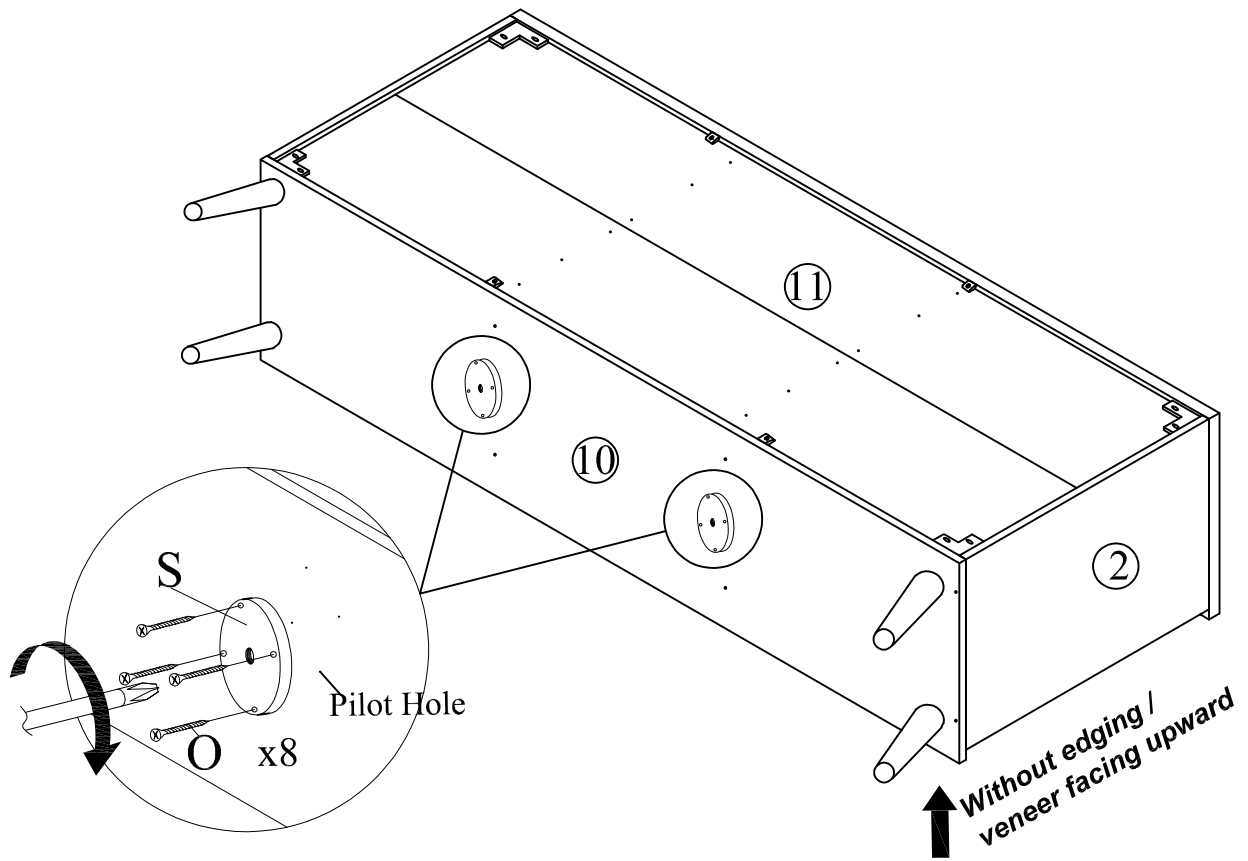
Step 11



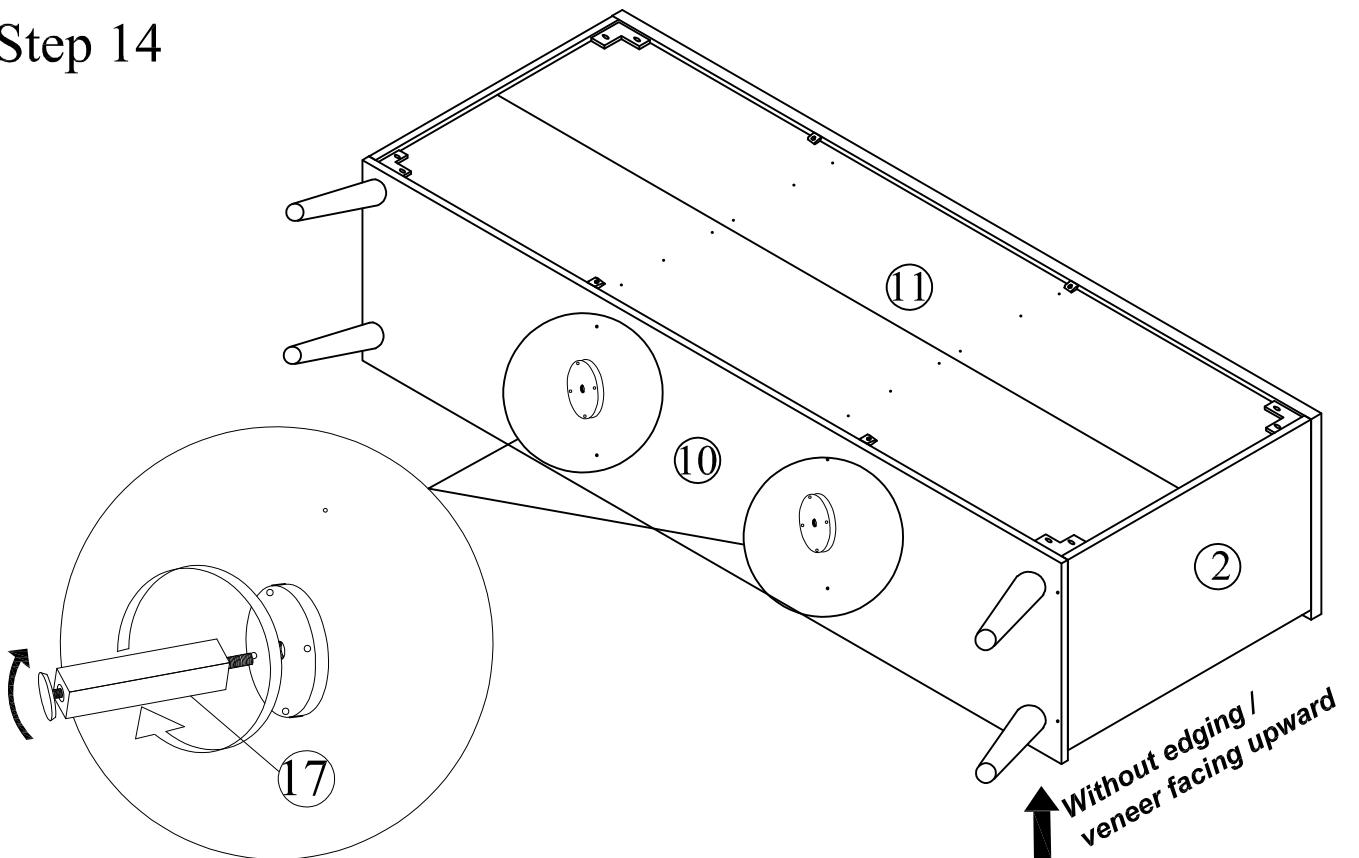
Step 12



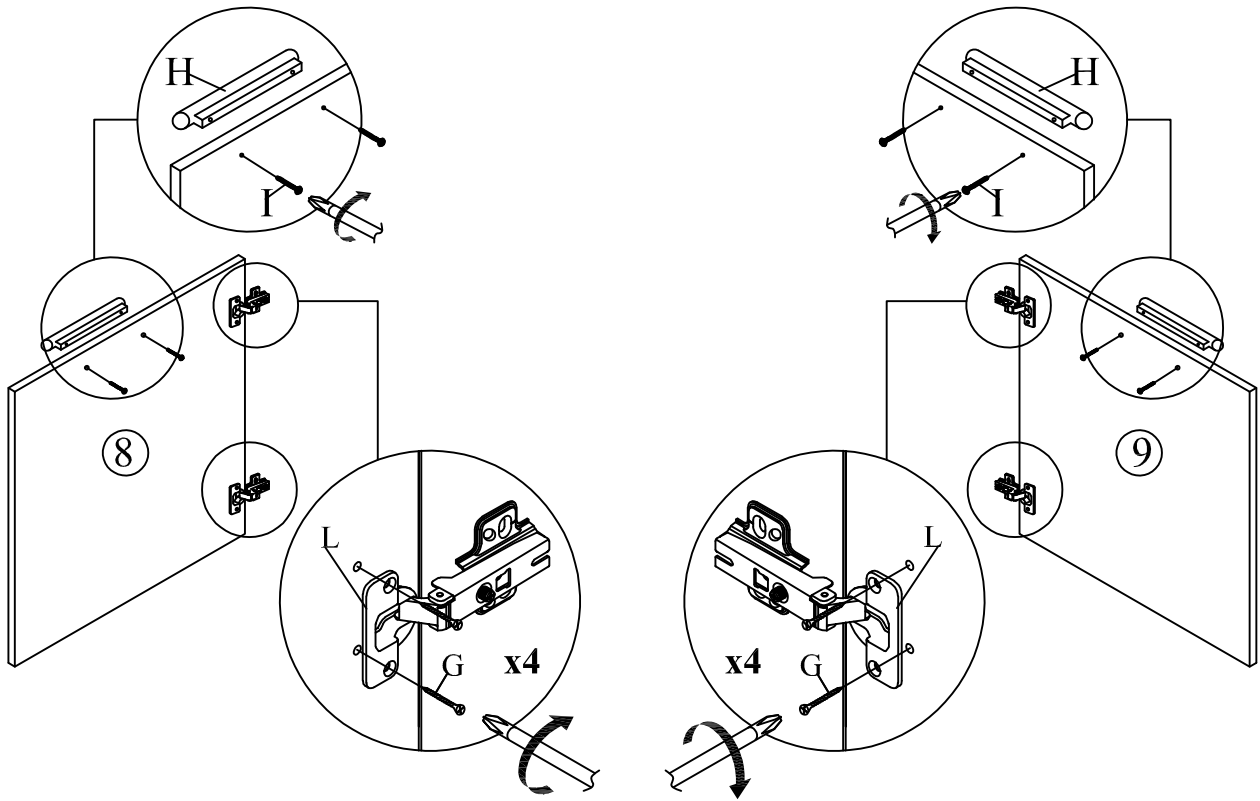
Step 13



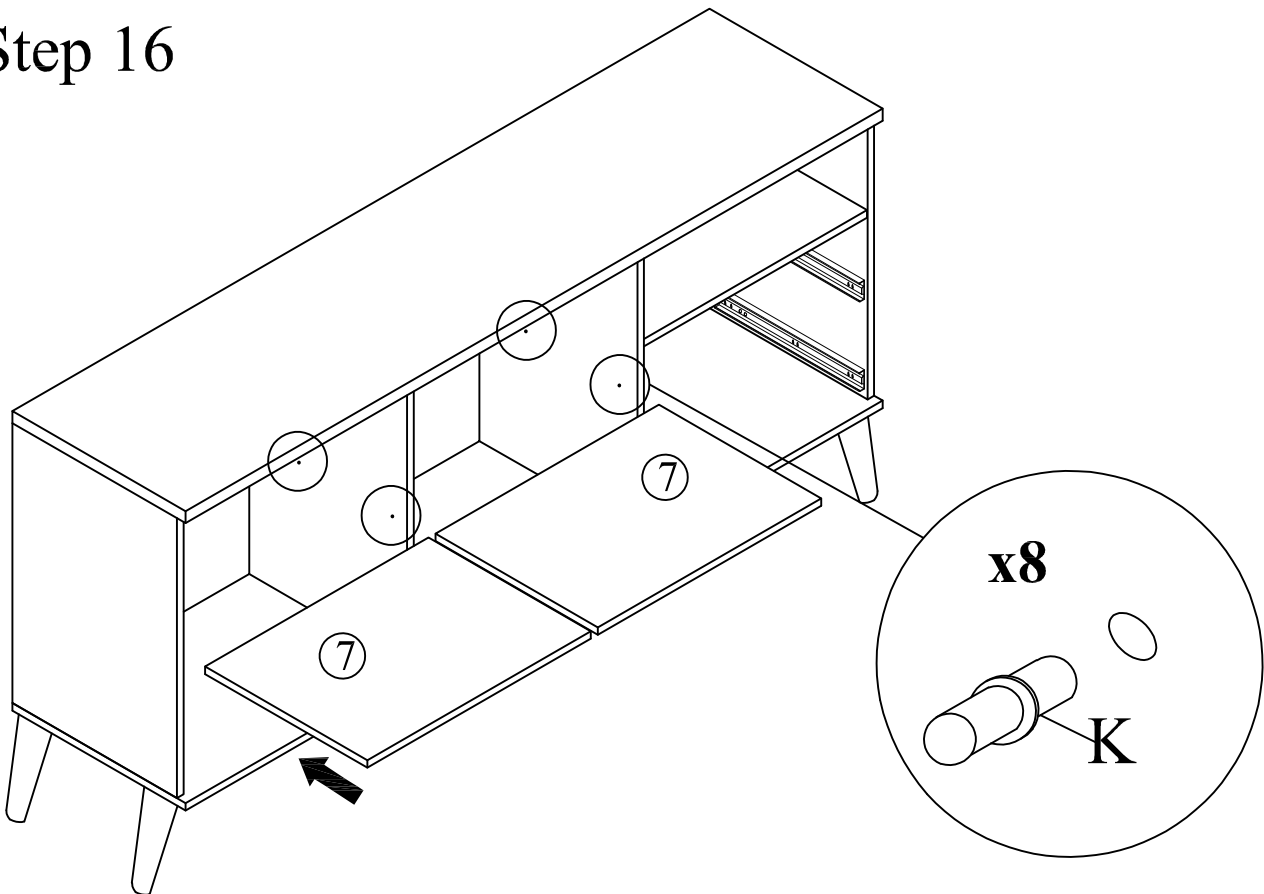
Step 14



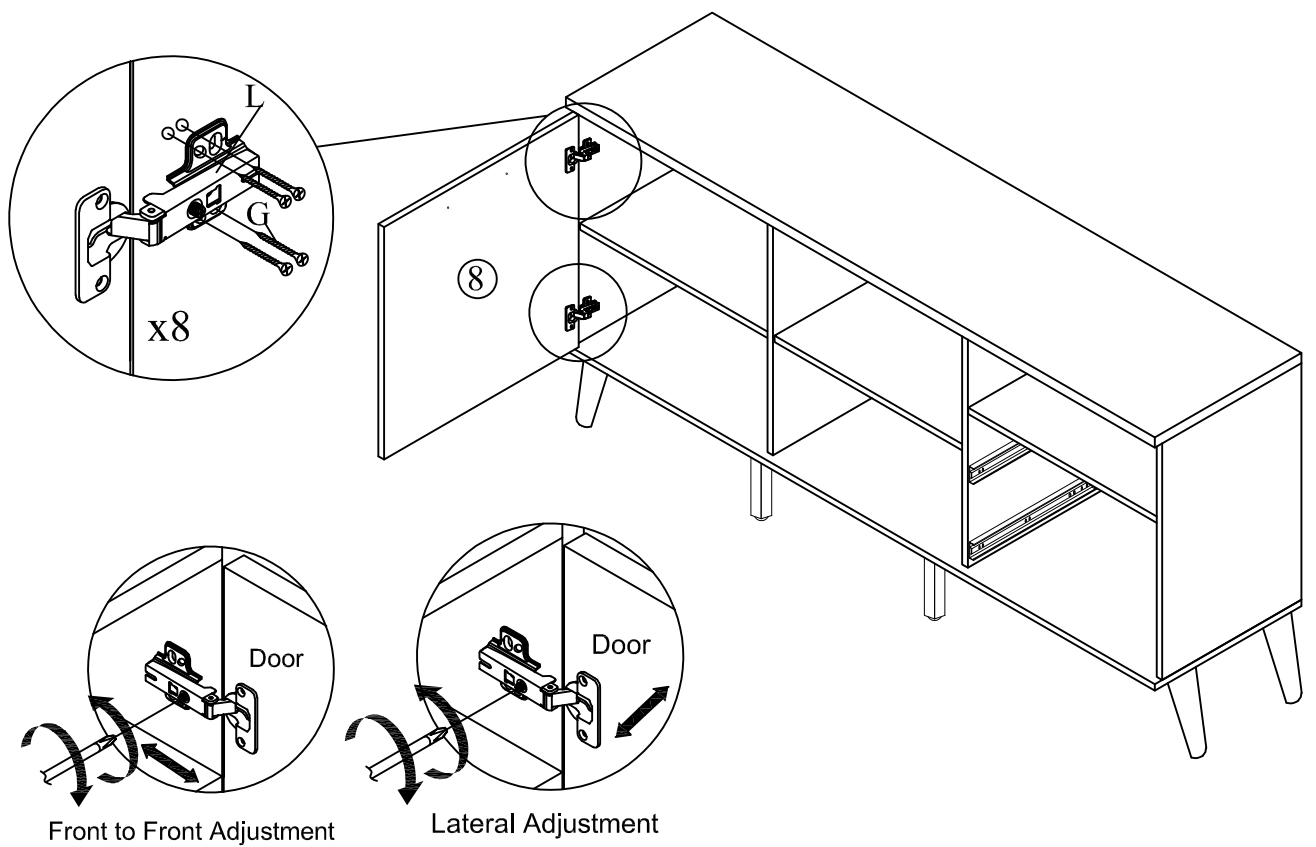
Step 15



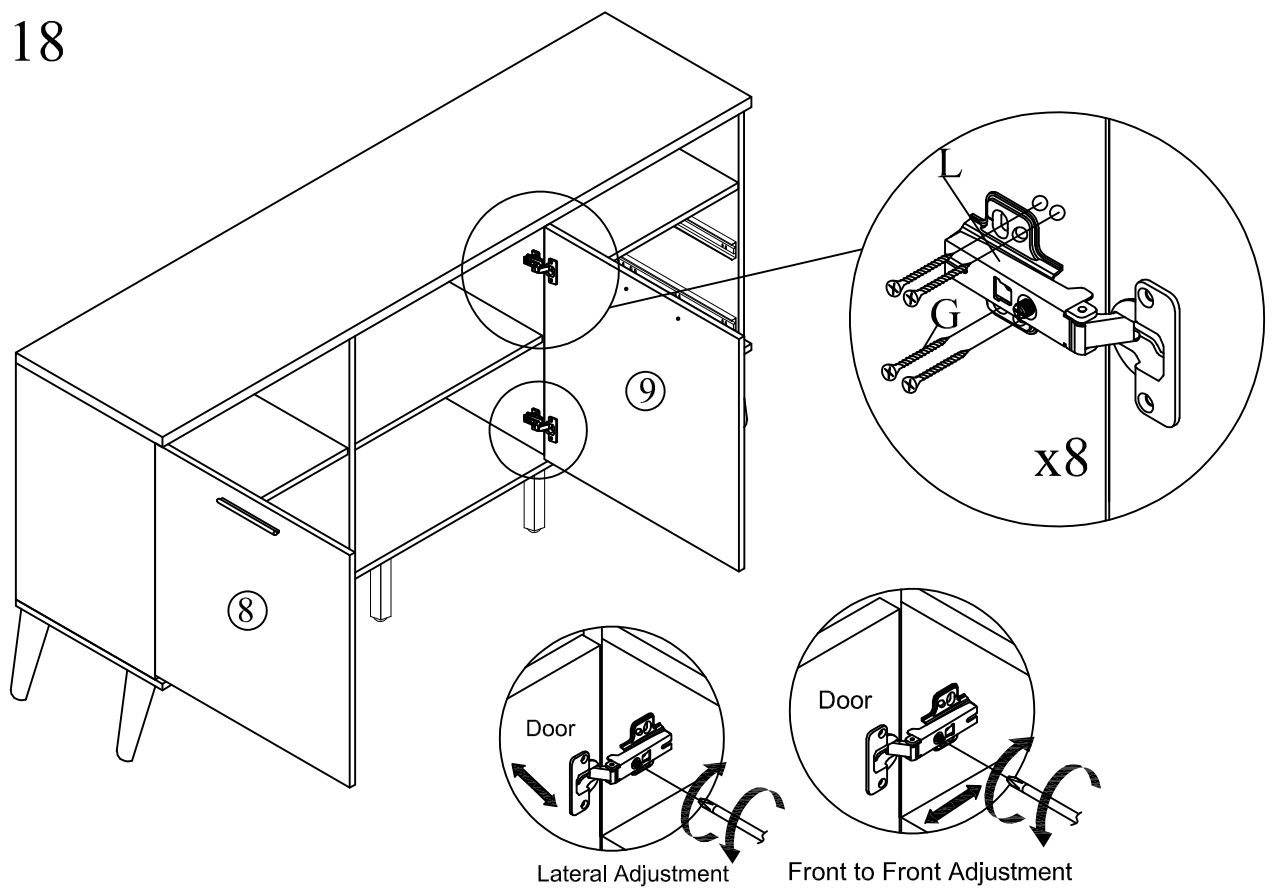
Step 16



Step 17

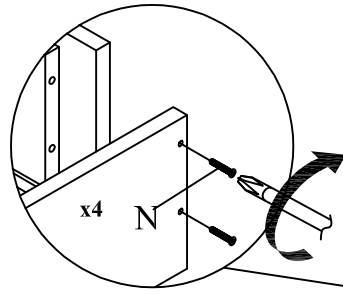


Step 18

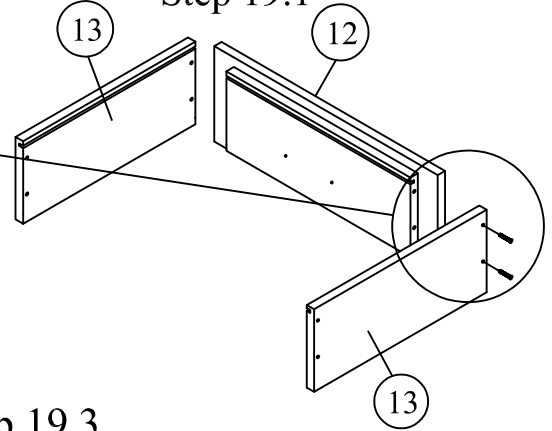


Step 19

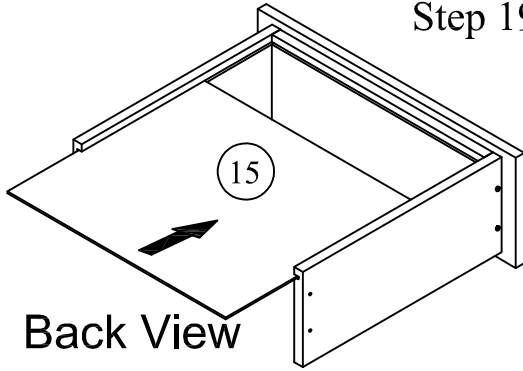
x2



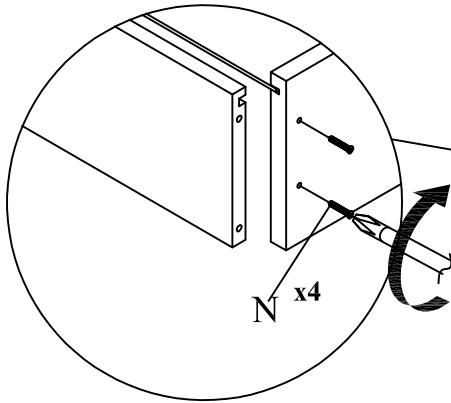
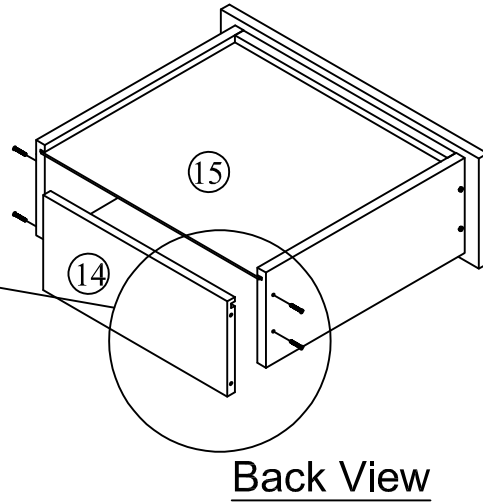
Step 19.1



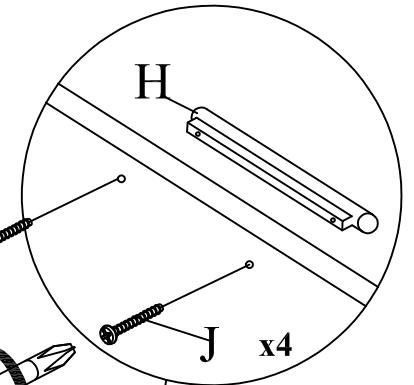
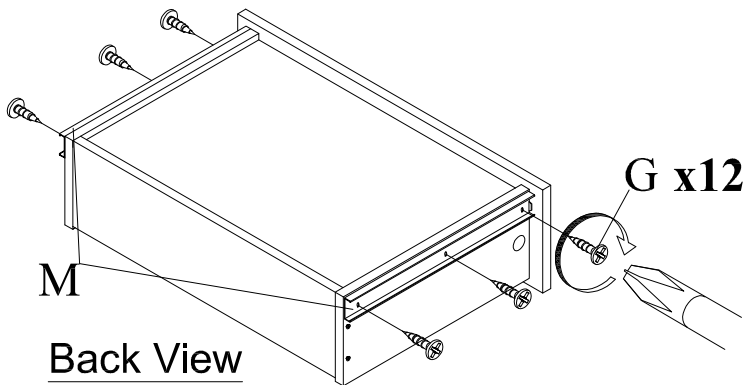
Step 19.2



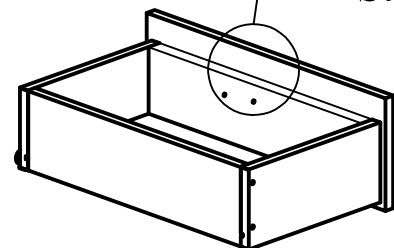
Step 19.3



Step 19.5

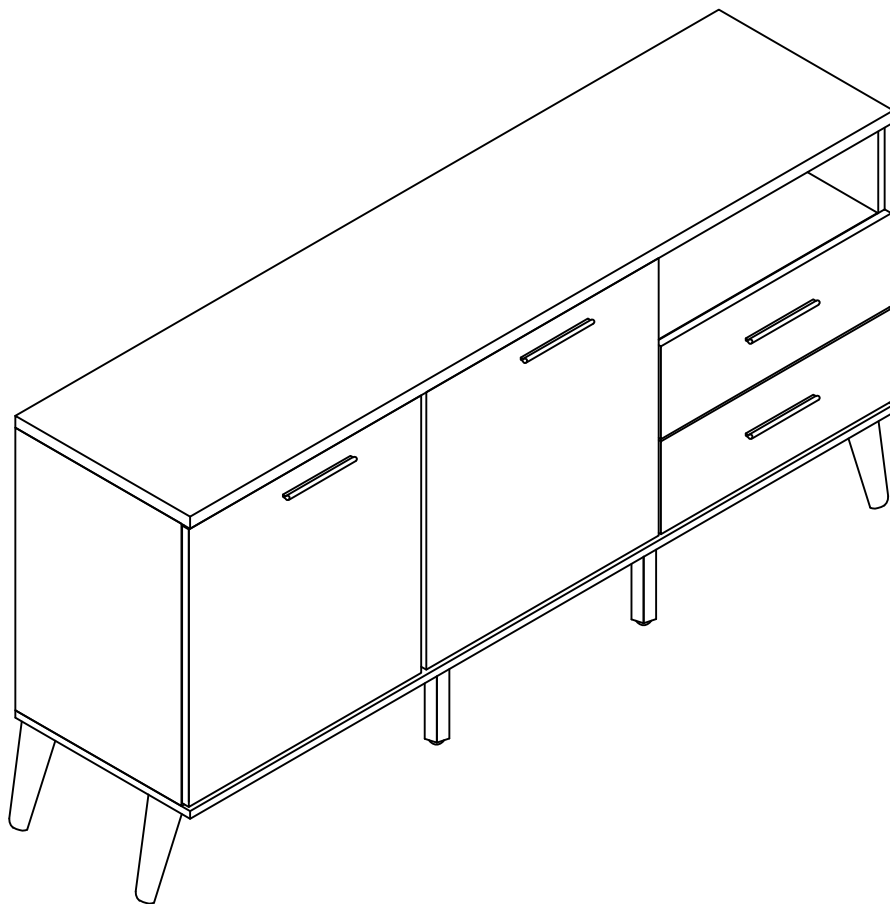
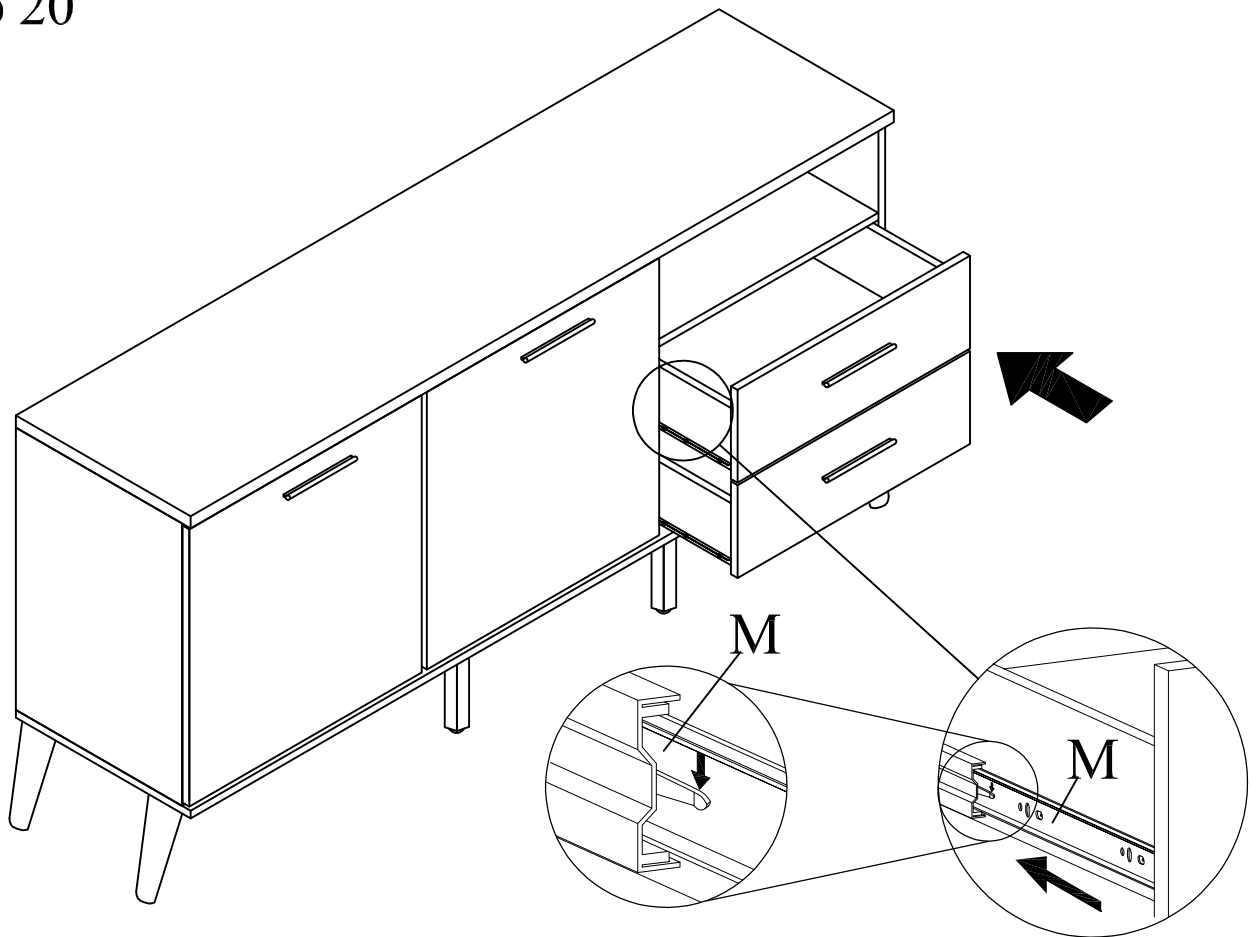


Step 19.4



Back View

Step 20



Anti -
Tipping

(A)



CSK Screw
M3.5x16mm
1PC

(B)



CSK Screw
M4x50mm
1PC

(C)

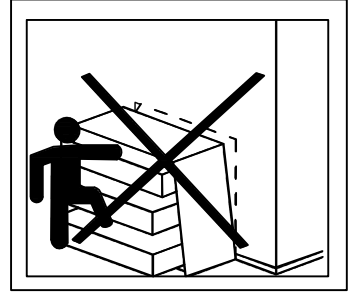
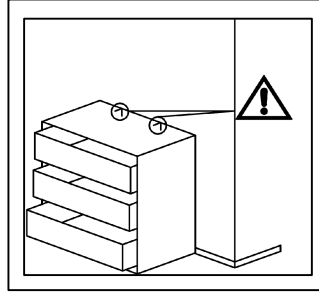


L BRACKET
2PCS

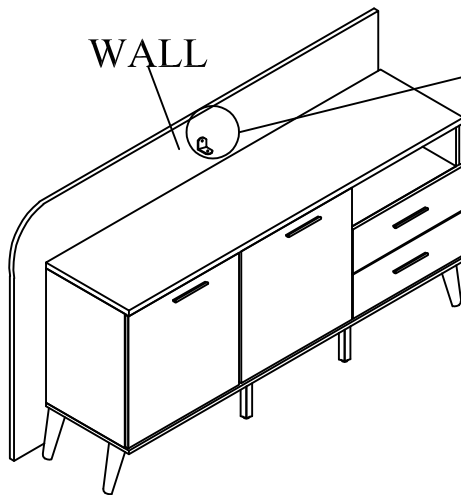
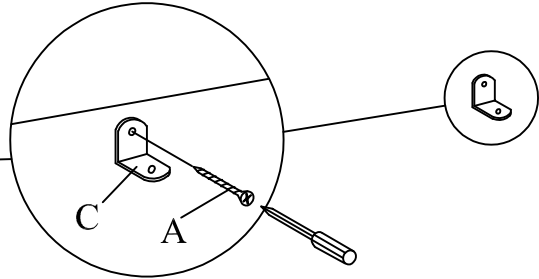
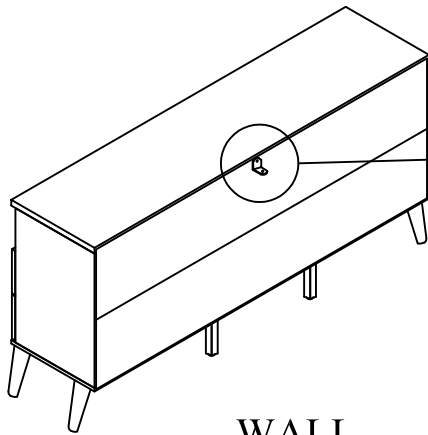
(D)



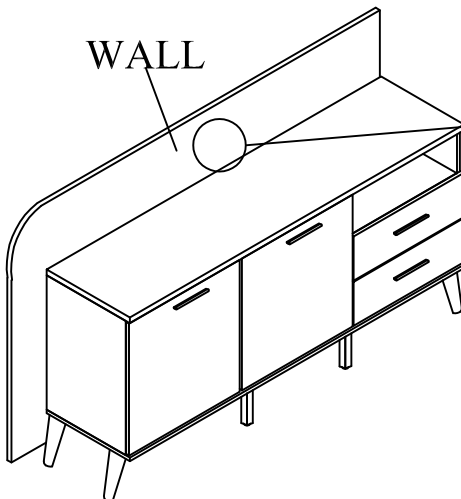
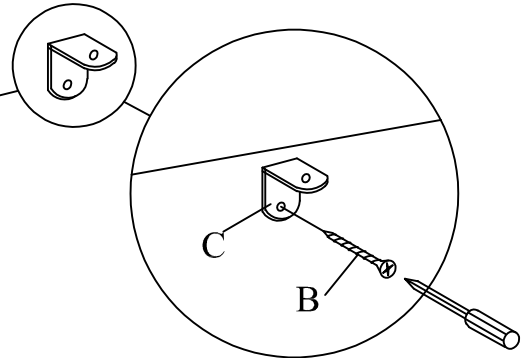
CABLE TIE
1PC



BACK VIEW



WALL



WALL

