

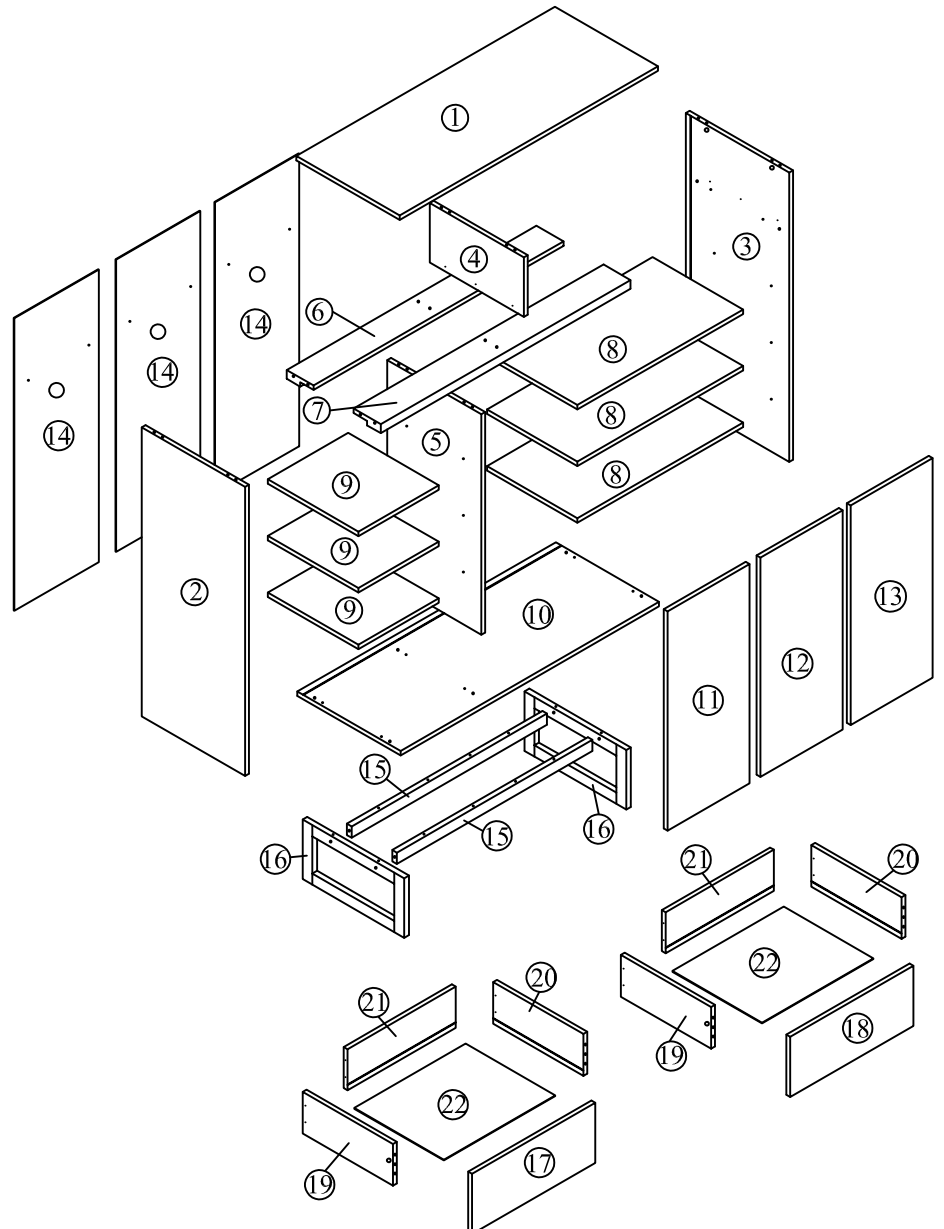
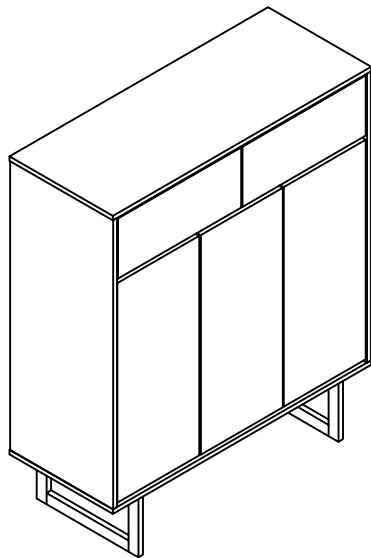
# Assembly Instructions

**ECOLIFE**

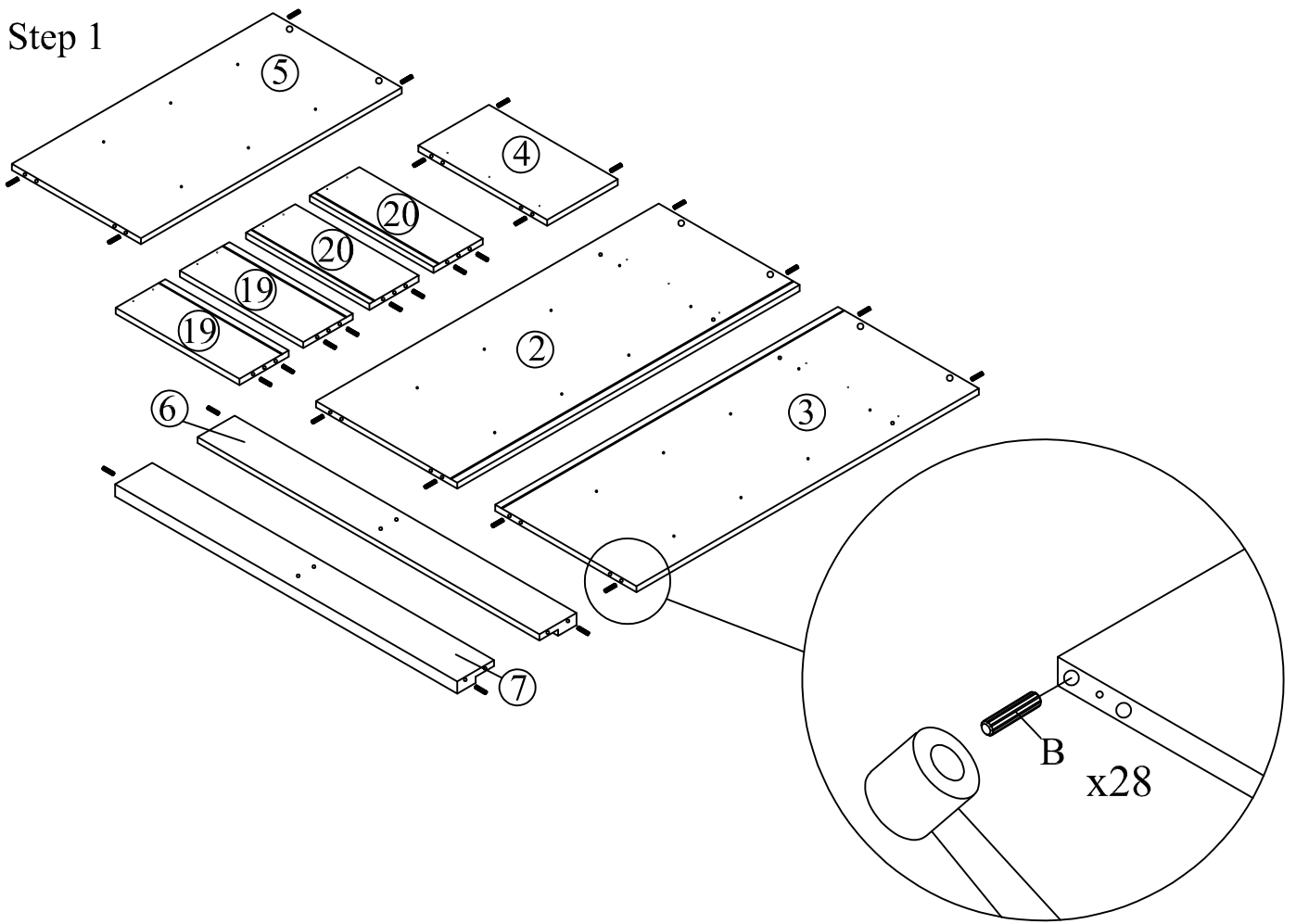
MODEL : MPC 8039-B-SEVILLE SERIES MULTI PURPOSE CABINET

Part List		QTY
1	Top Panel	1
2	Left Side Panel	1
3	Right Side Panel	1
4	Small Middle Panel	1
5	Middle Panel	1
6	Back Support Panel	1
7	Front Support Panel	1
8	Big Shelf Panel	3
9	Small Shelf Panel	3
10	Bottom Panel	1
11	Left Door Panel	1
12	Center Door Panel	1
13	Right Door Panel	1
14	Back Panel	3
15	Metal Support Legs	2
16	Metal Legs	2
17	Drawer Front Panel (L)	1
18	Drawer Front Panel (R)	1
19	Drawer Side Panel (L)	2
20	Drawer Side Panel (R)	2
21	Drawer Back Panel	2
22	Drawer Bottom Panel	2

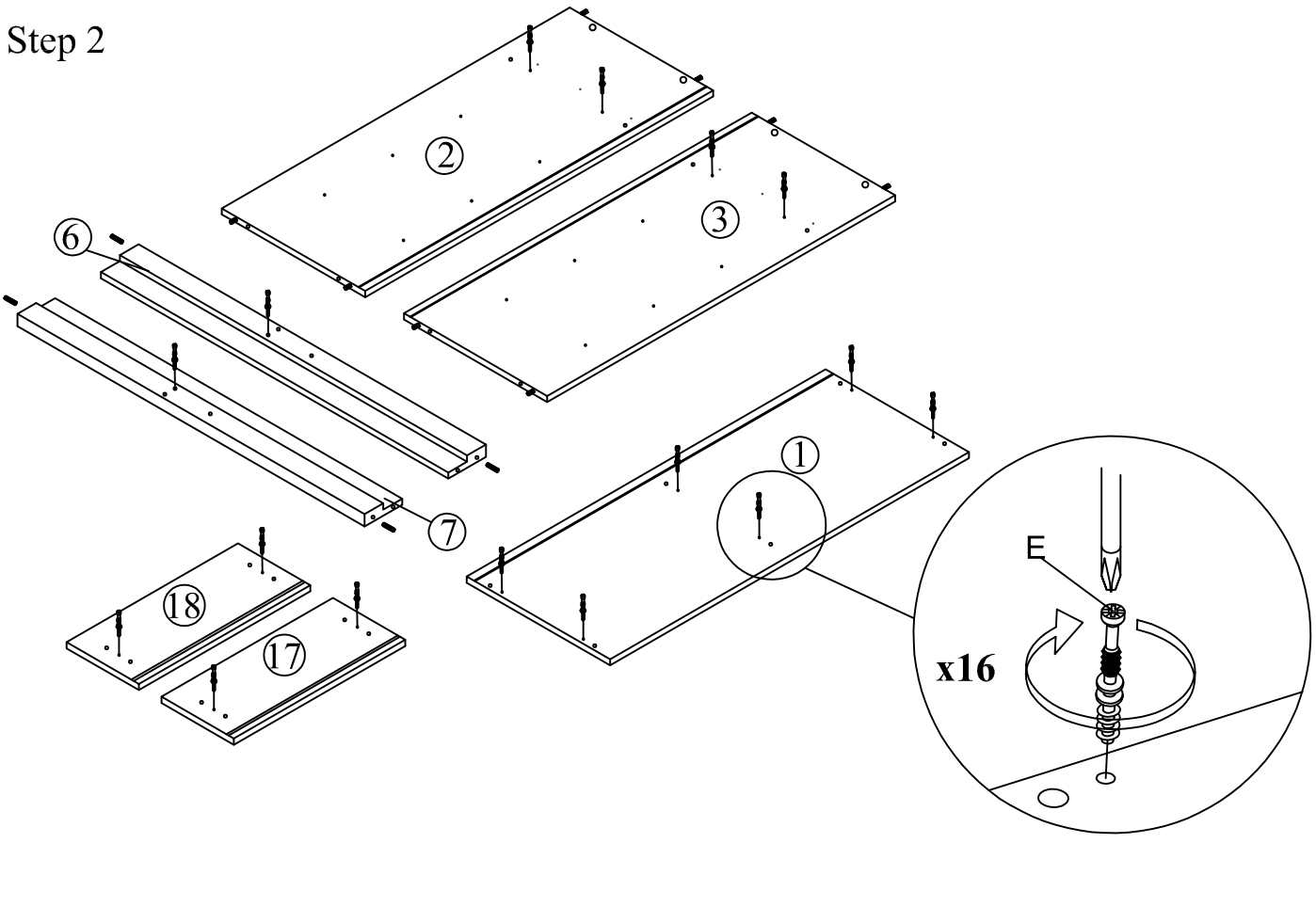
Hardware		QTY
A	Allen Key M4	1
B	Plastic Dowel	28
C	JCBC W Screw M6x40	6
D	JCBC W Screw M6x50	2
E	Mini Fix Bolt	16
F	Mini Fix Housing	16
G	Mini Fix Cap	16
H	H Profile	2
I	5/8 Hinge	2
J	7/8 Hinge	4
K	Shelf Support Metal	24
L	Drawer Slide Soft Close	2 set
M	CSK Screw M4x50mm	20
N	CSK Screw M4x20mm Black	6
O	CSK Screw M3.5x16mm	68
P	JCBC Screw M6x50 + M6 Flat Washer	4
Q	L Bracket	4



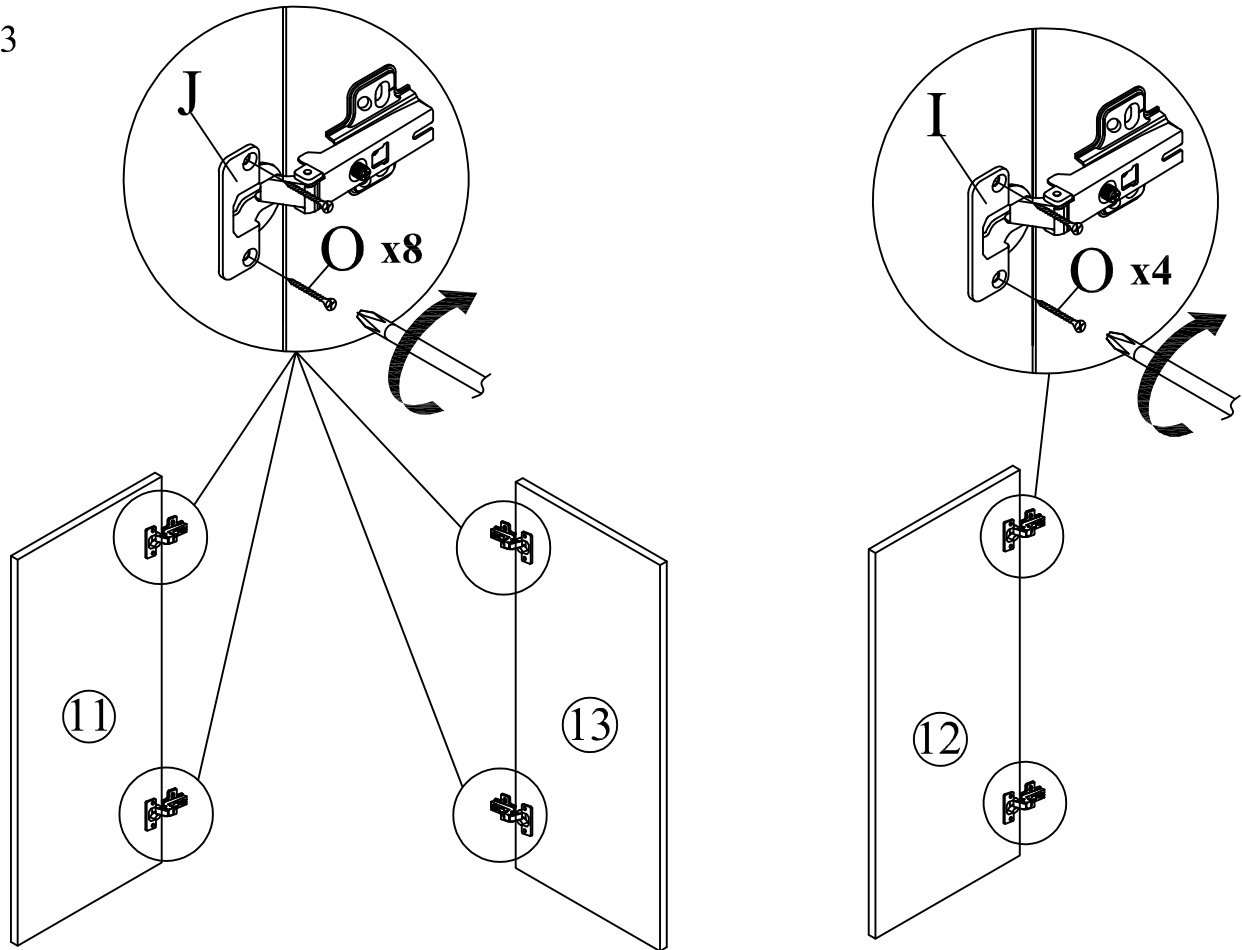
Step 1



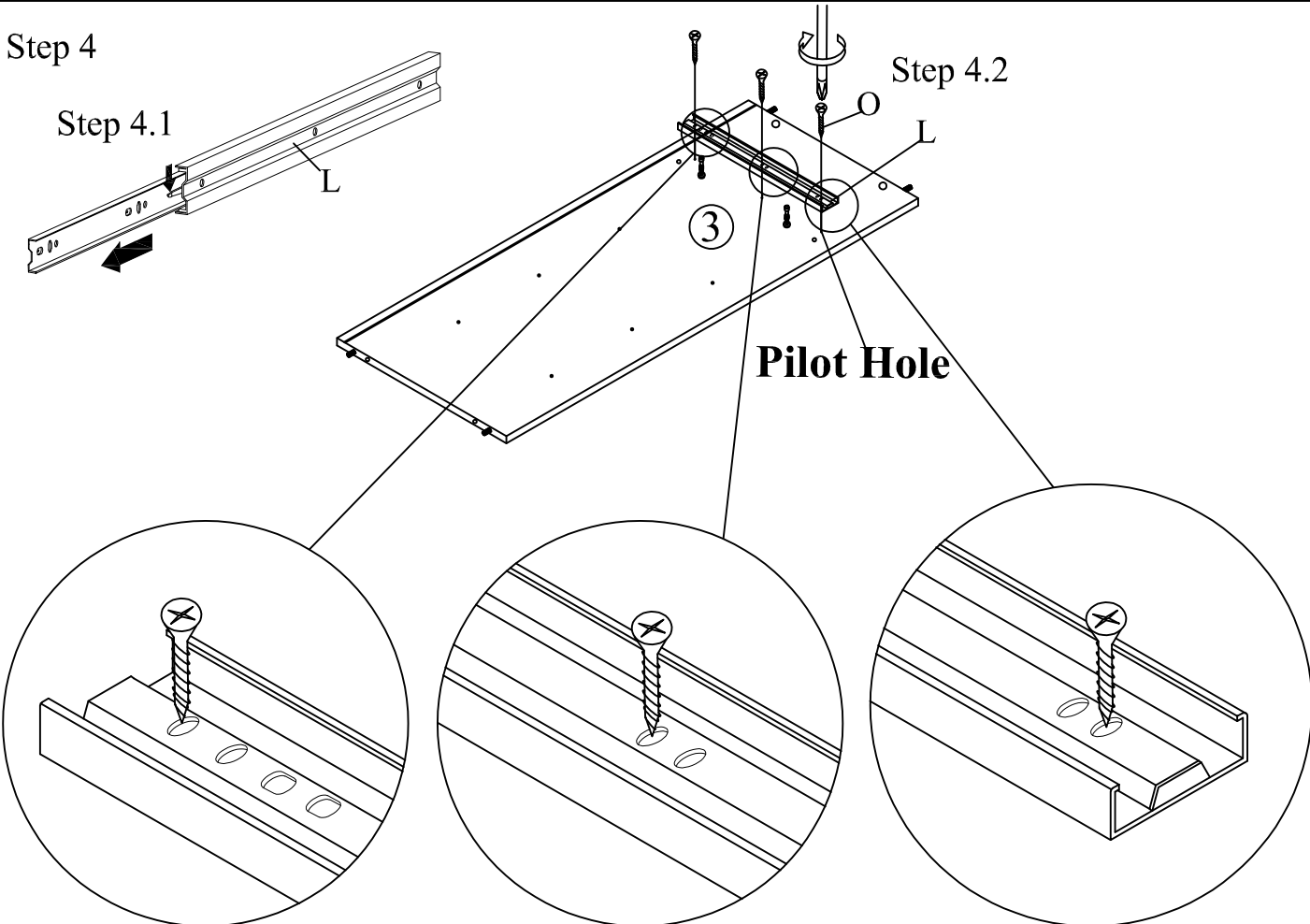
Step 2



Step 3



Step 4

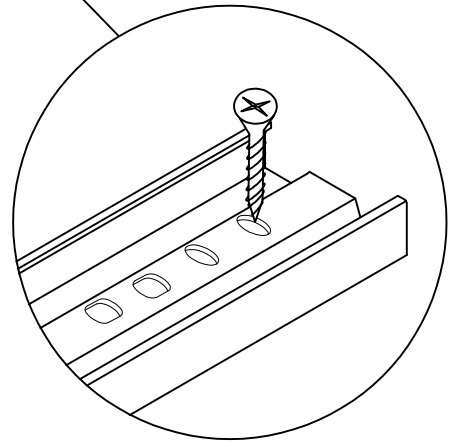
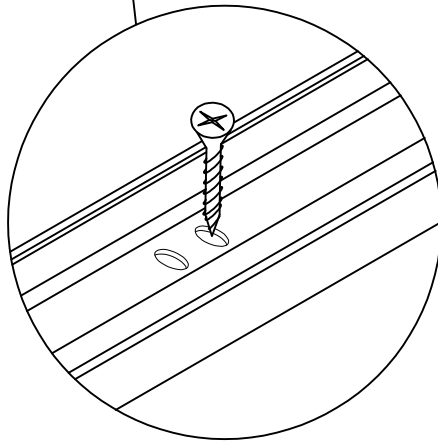
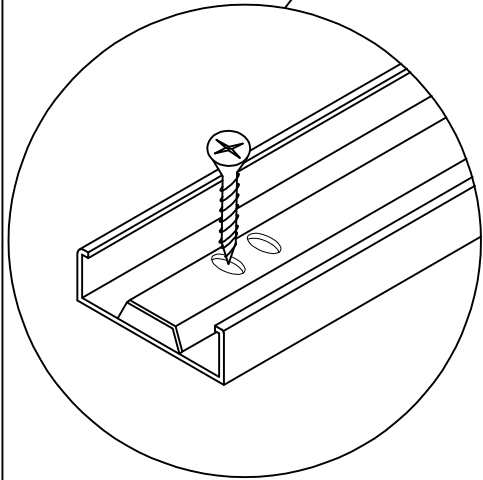


Step 5

Step 5.2

Step 5.1

Pilot Hole



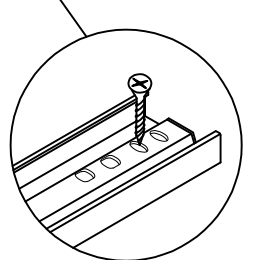
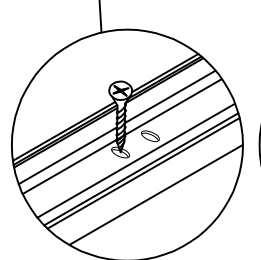
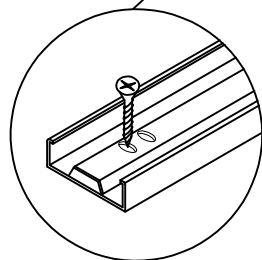
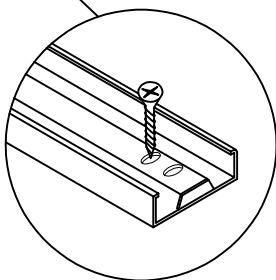
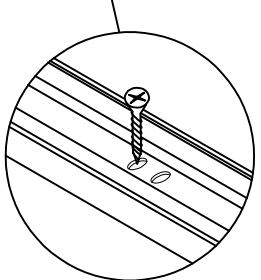
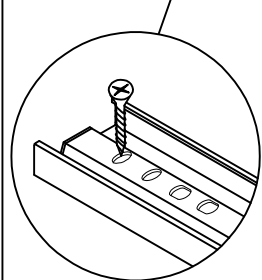
Step 6

Step 6.1

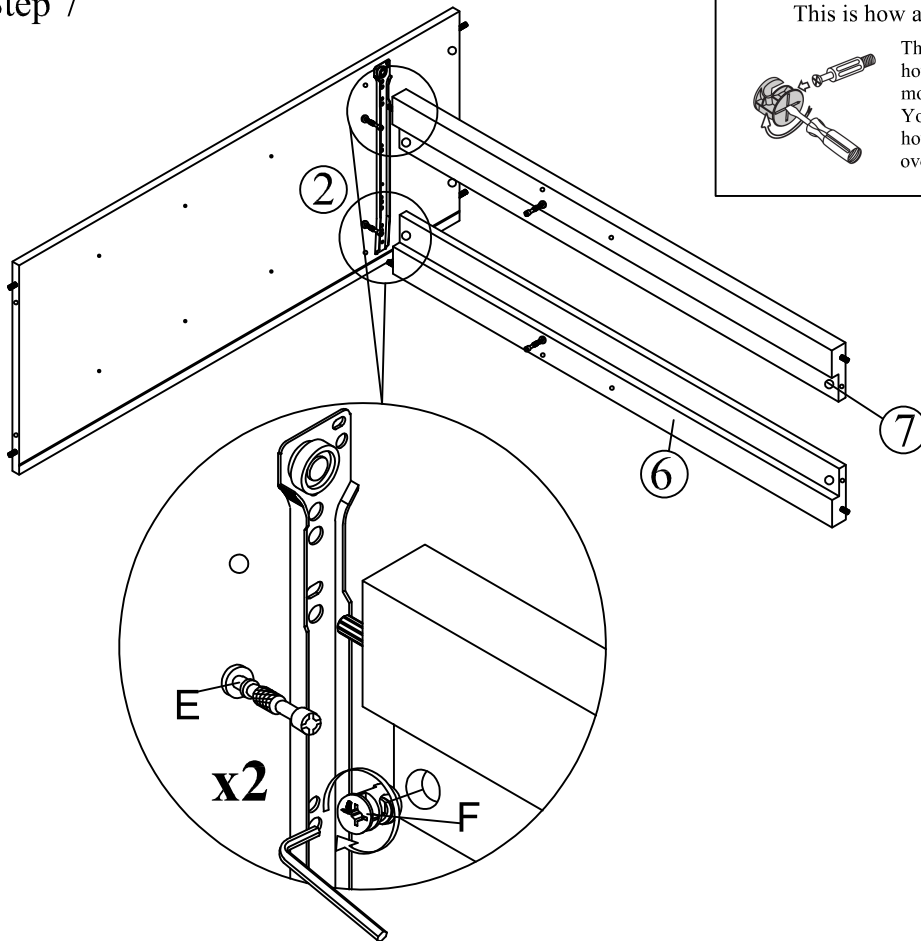
Step 4.2

Step 6.2

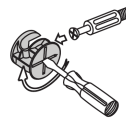
Pilot Hole



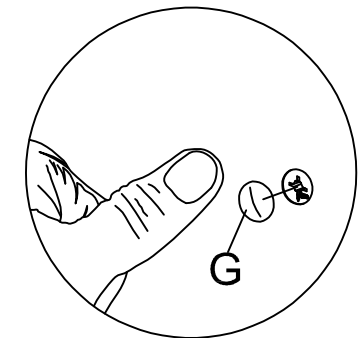
## Step 7



This is how a mini fix works...

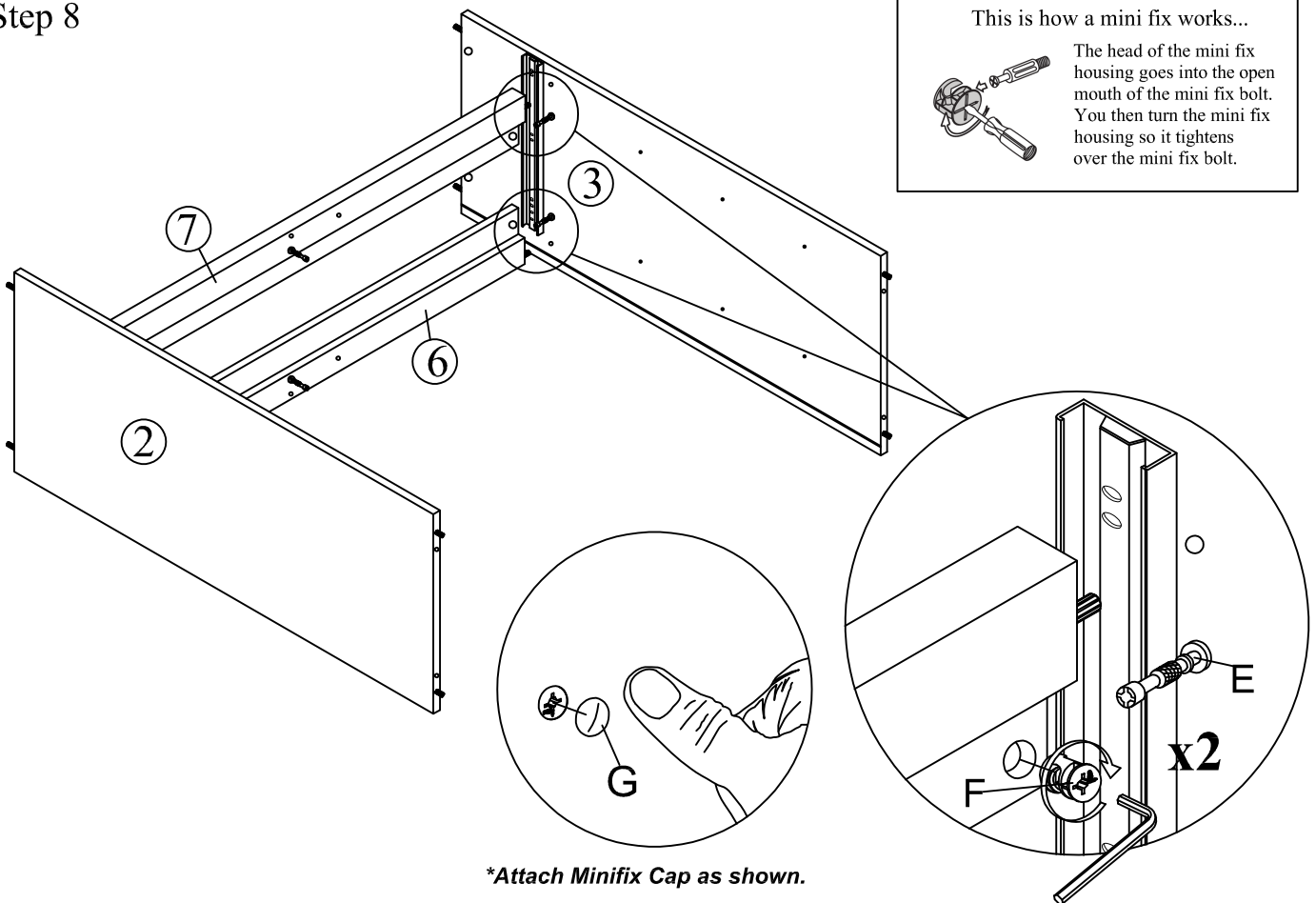


The head of the mini fix housing goes into the open mouth of the mini fix bolt. You then turn the mini fix housing so it tightens over the mini fix bolt.

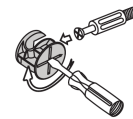


**\*Attach Minifix Cap as shown.**

## Step 8



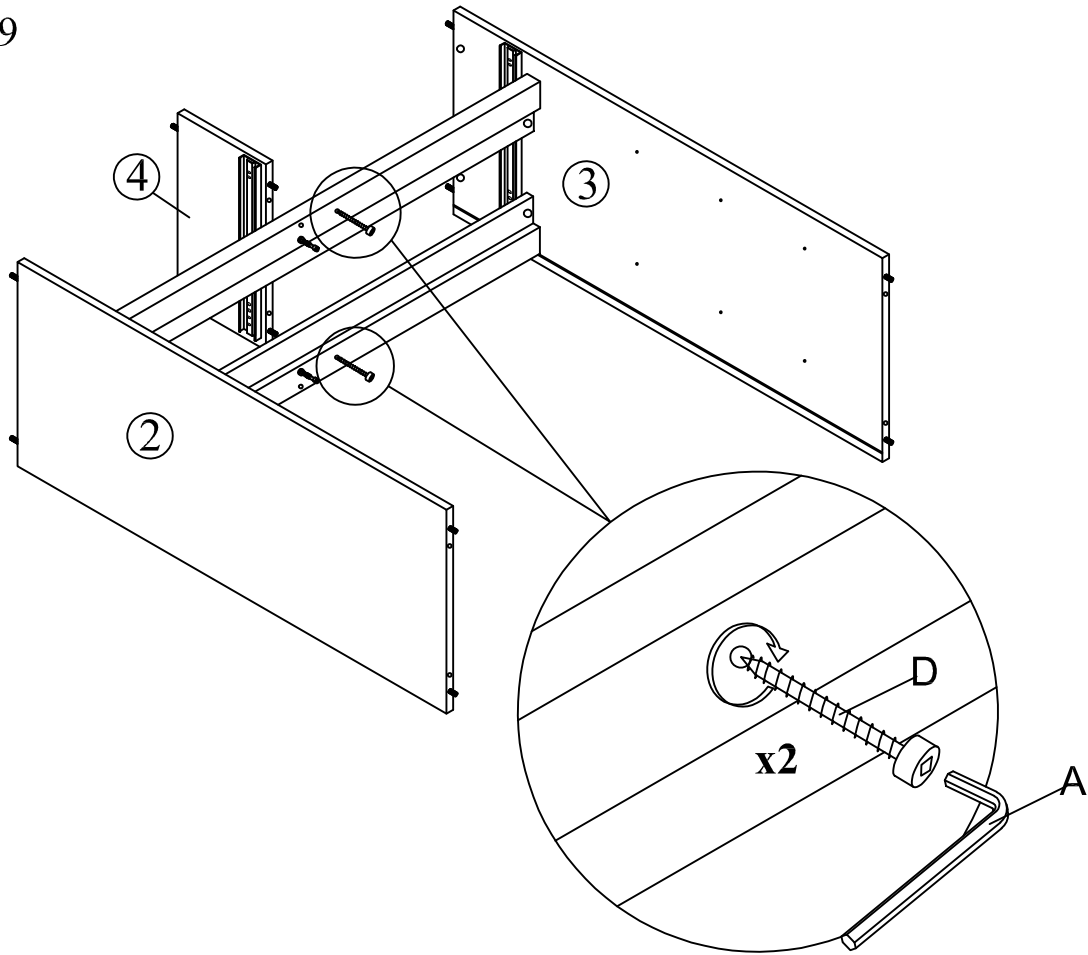
This is how a mini fix works...



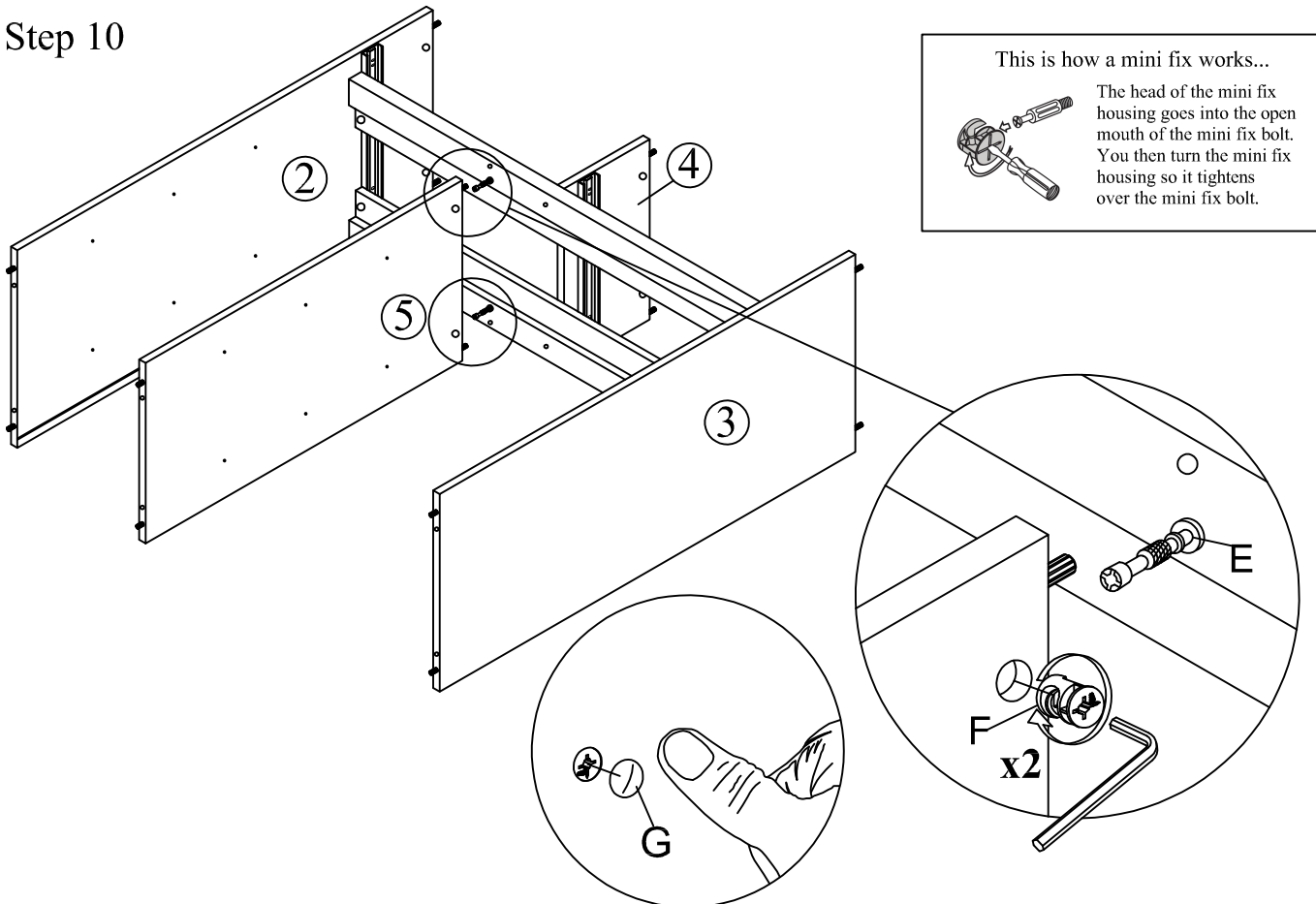
The head of the mini fix housing goes into the open mouth of the mini fix bolt. You then turn the mini fix housing so it tightens over the mini fix bolt.

**\*Attach Minifix Cap as shown.**

### Step 9

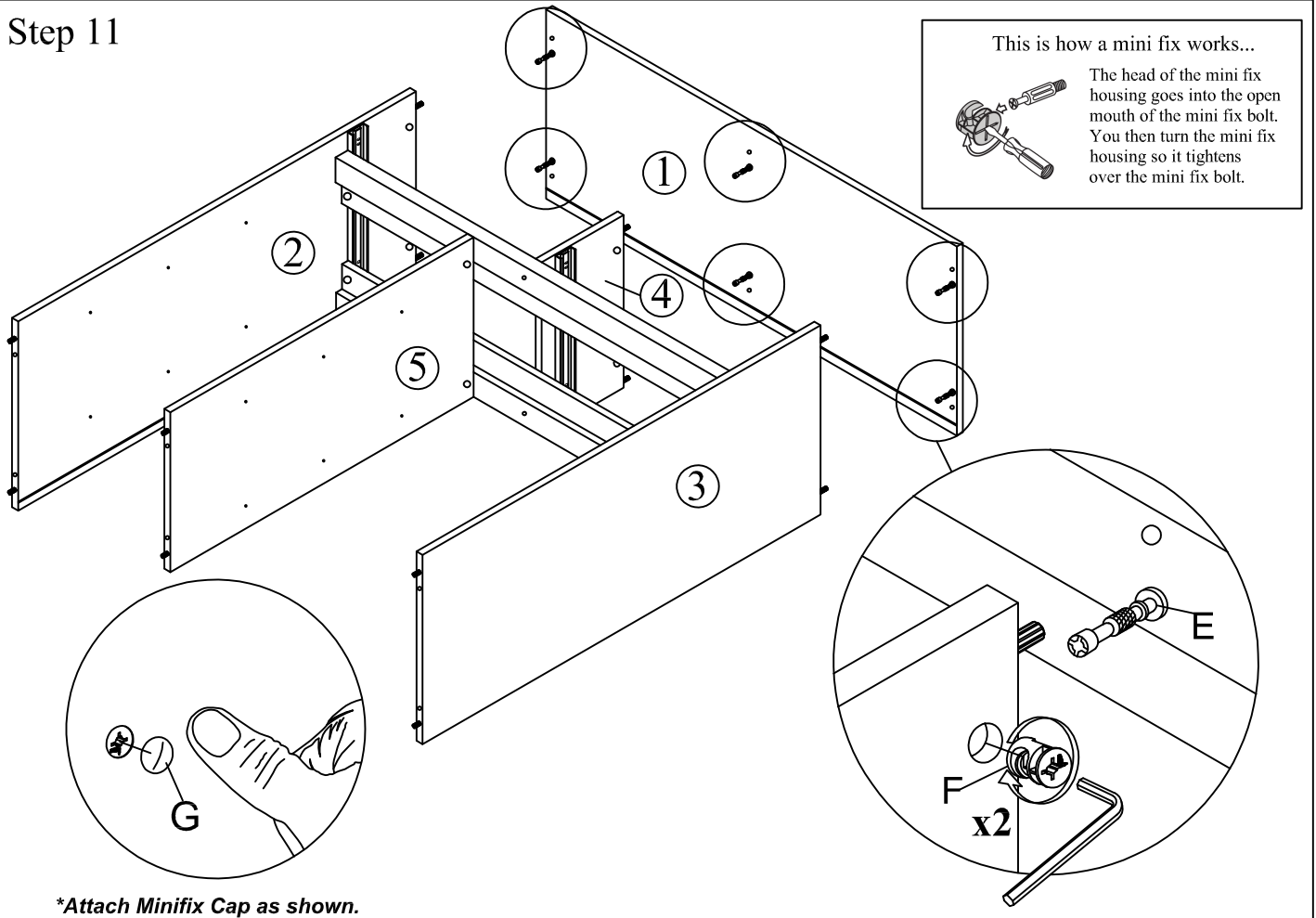


### Step 10

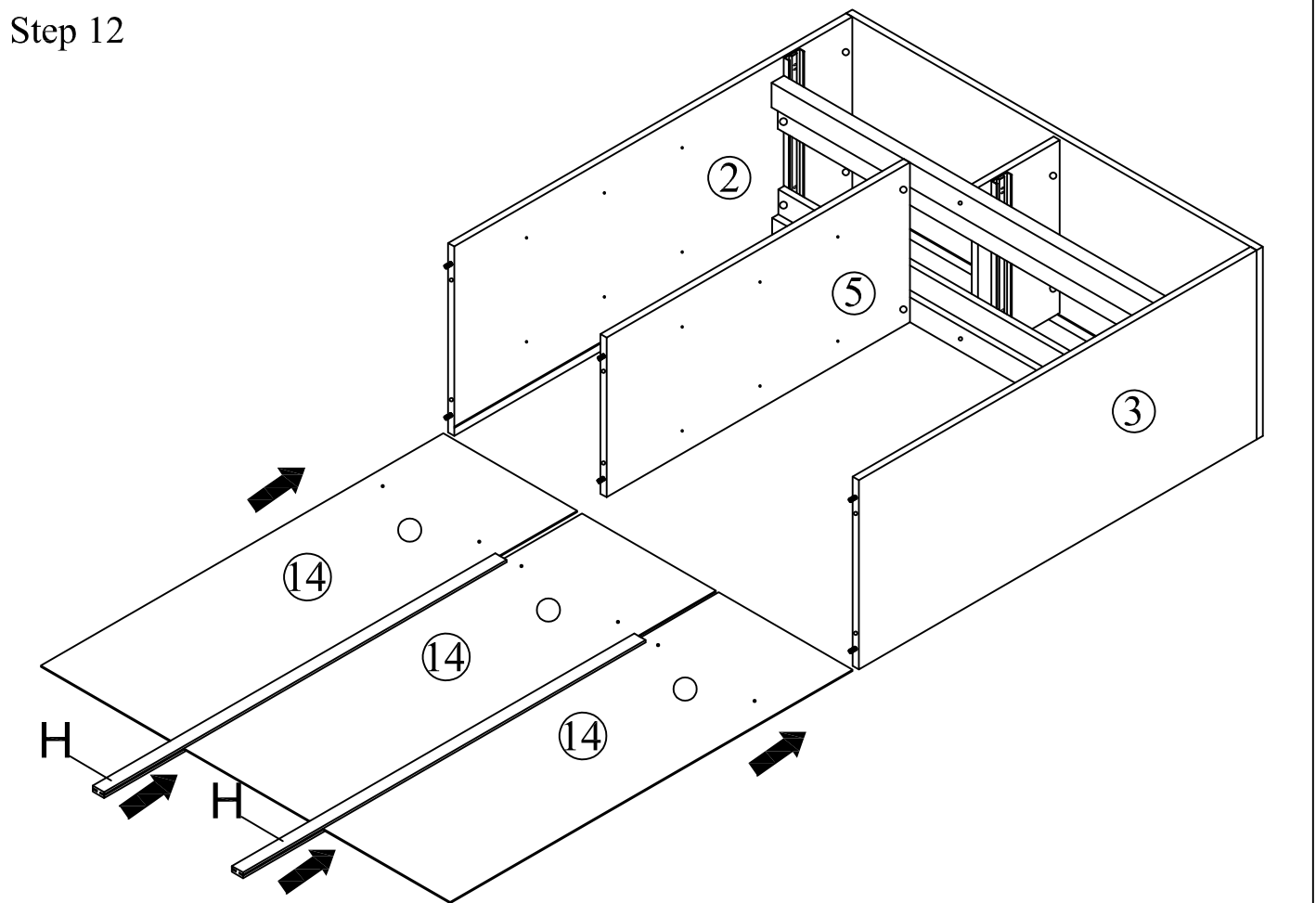


*\*Attach Minifix Cap as shown.*

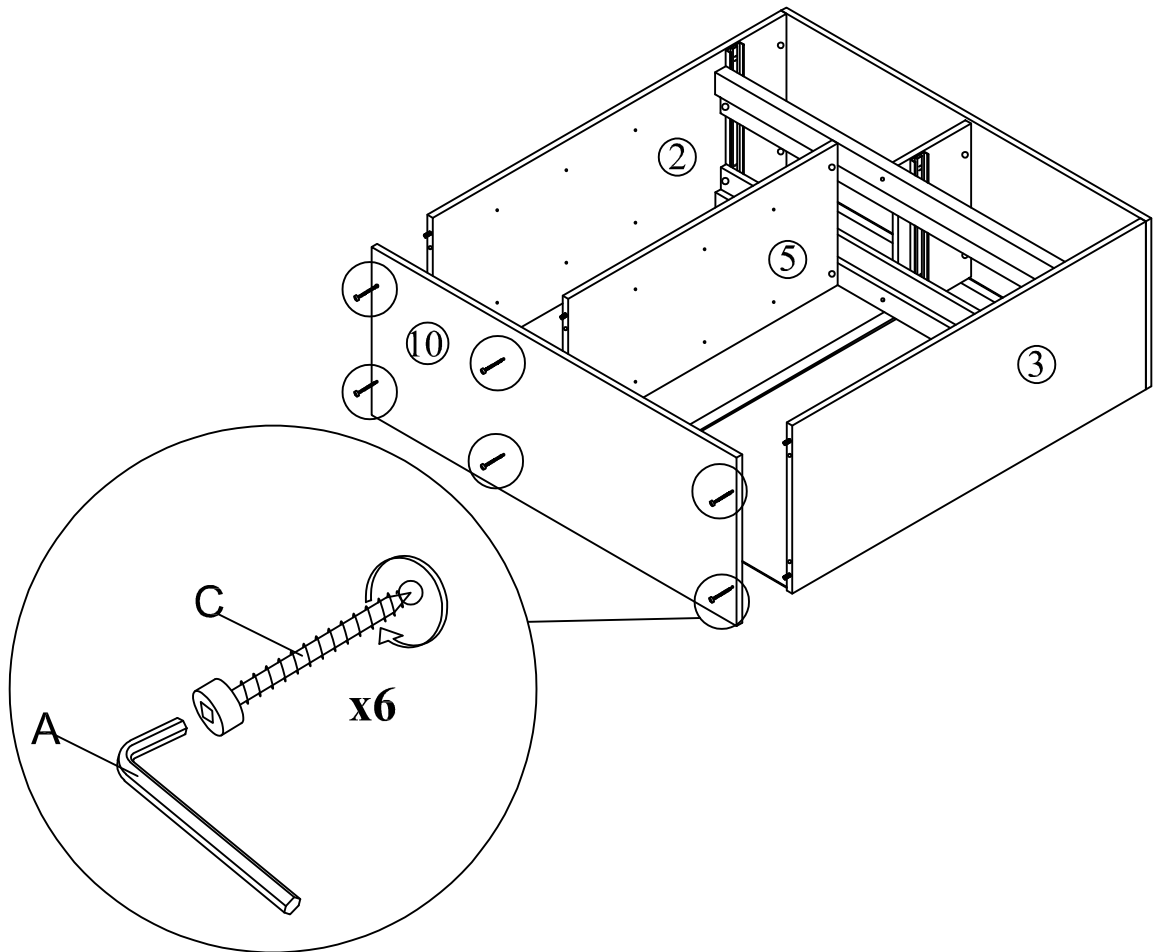
## Step 11



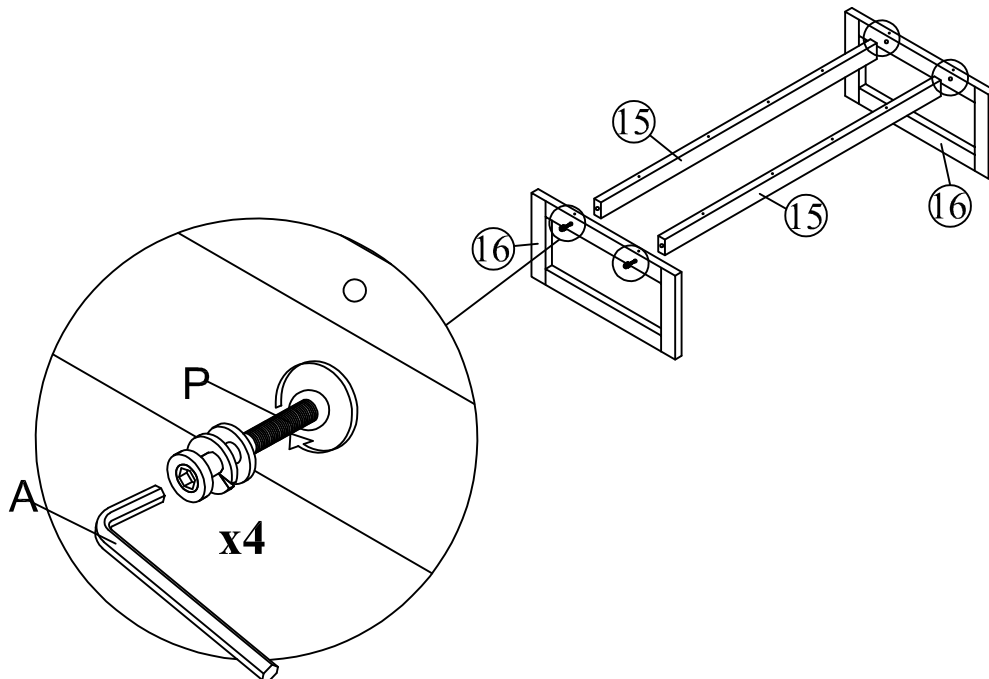
## Step 12



### Step 13

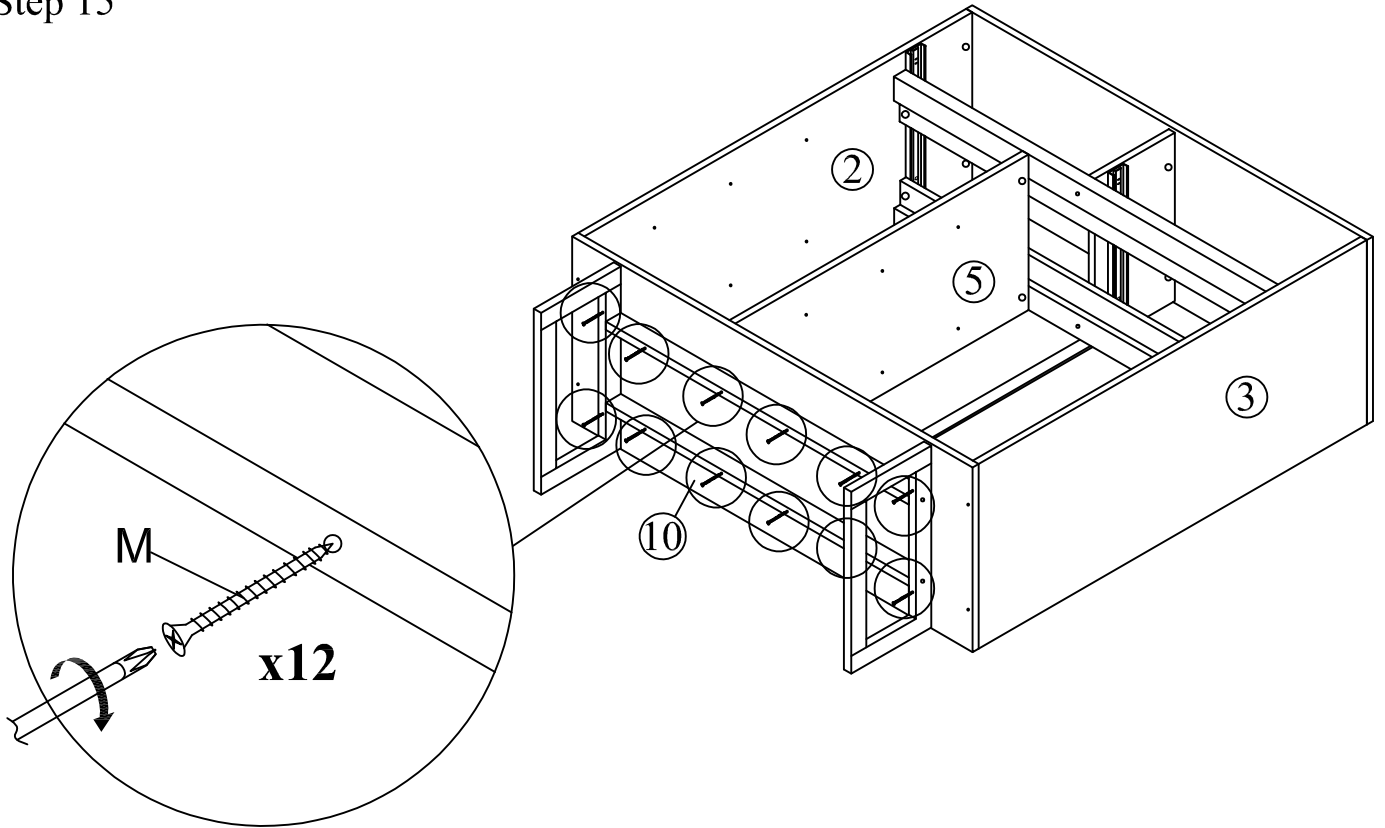


### Step 14

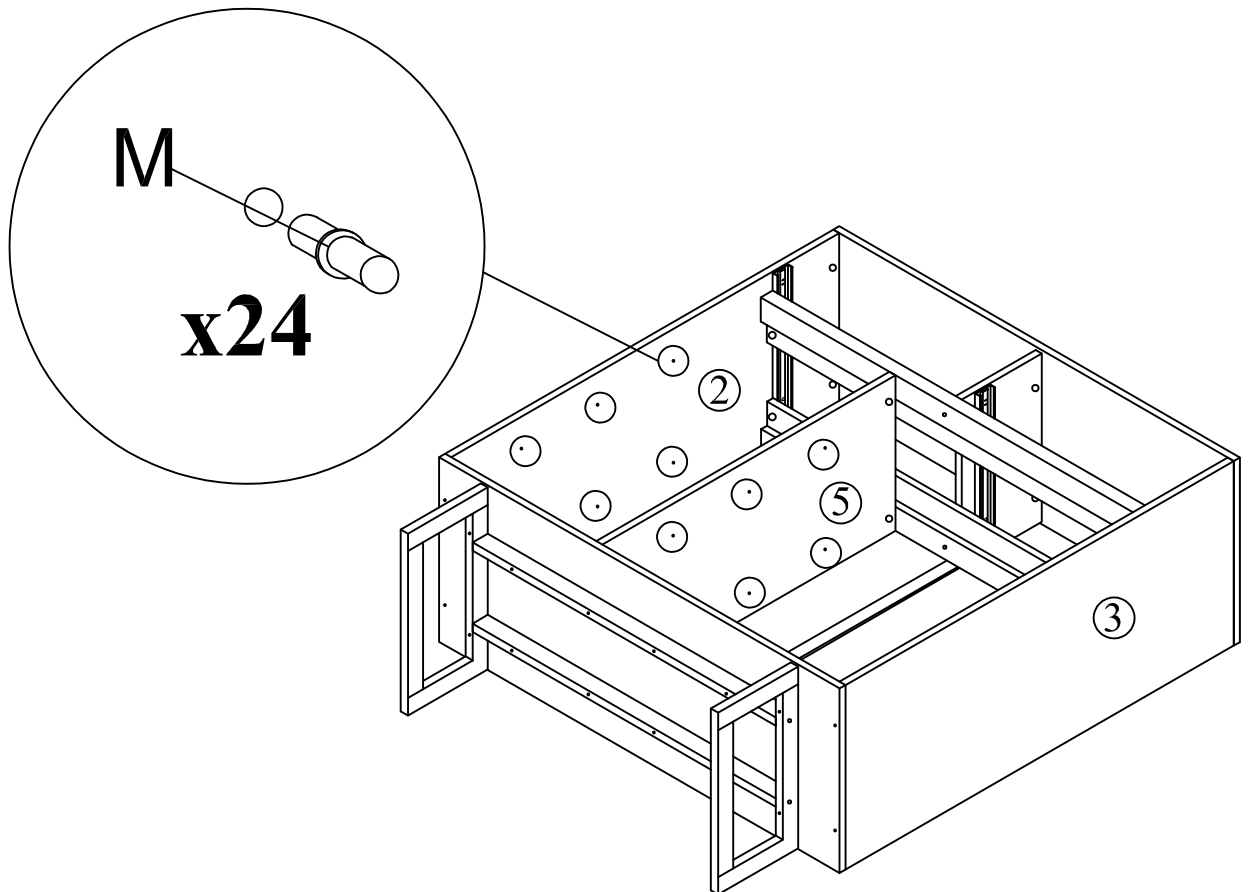




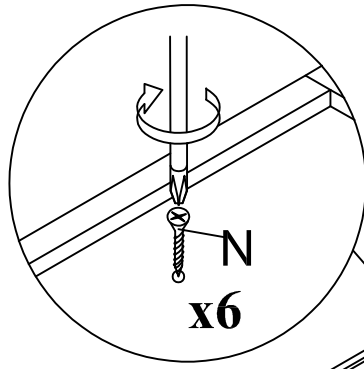
Step 15



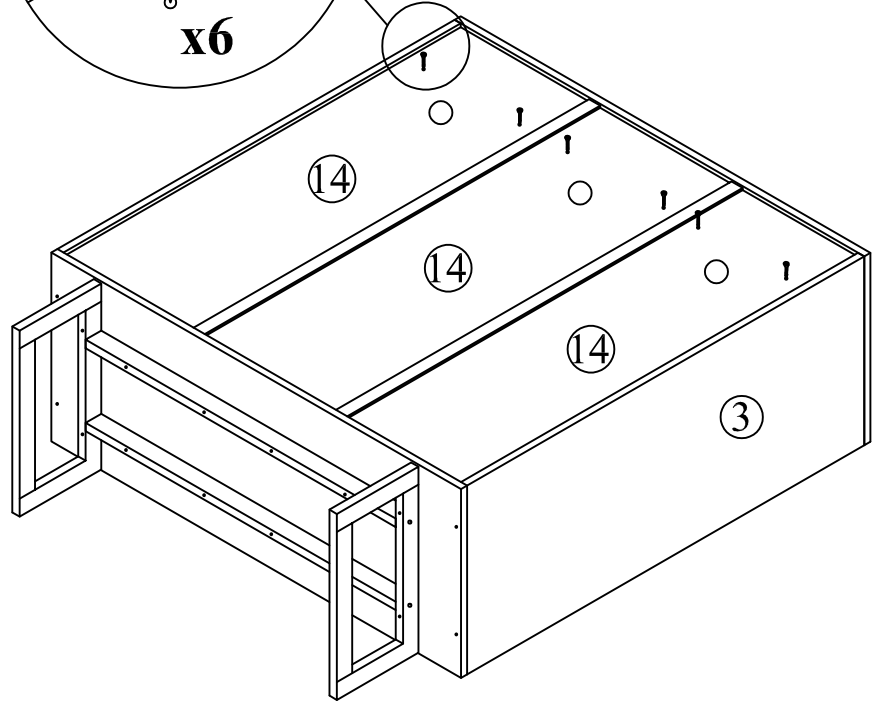
Step 16



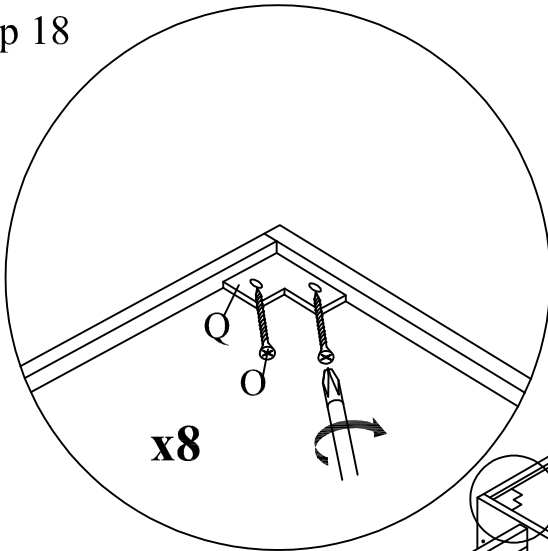
Step 17



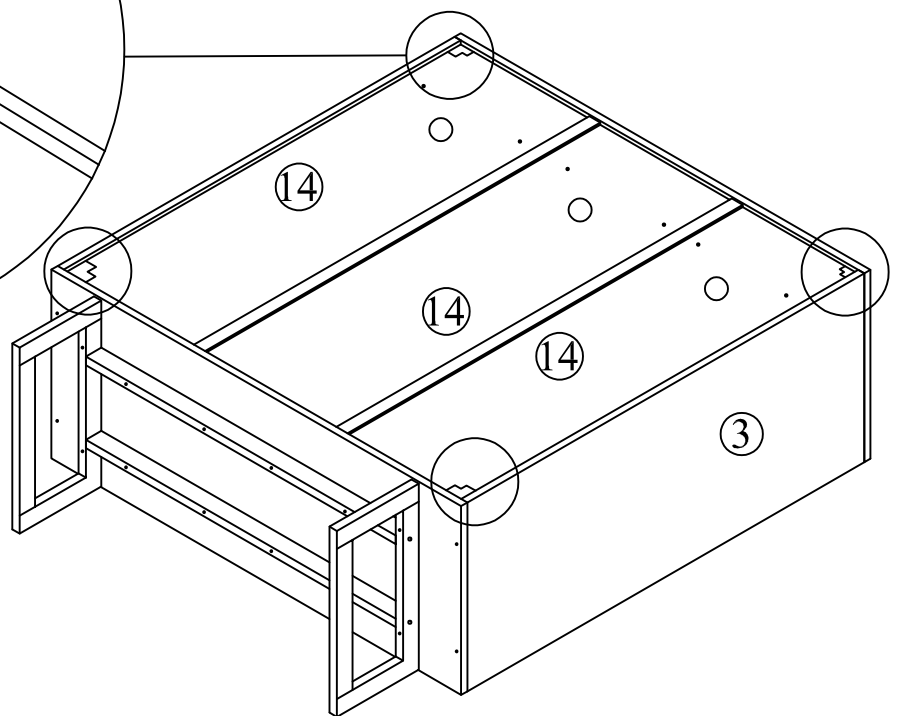
**BACK VIEW**



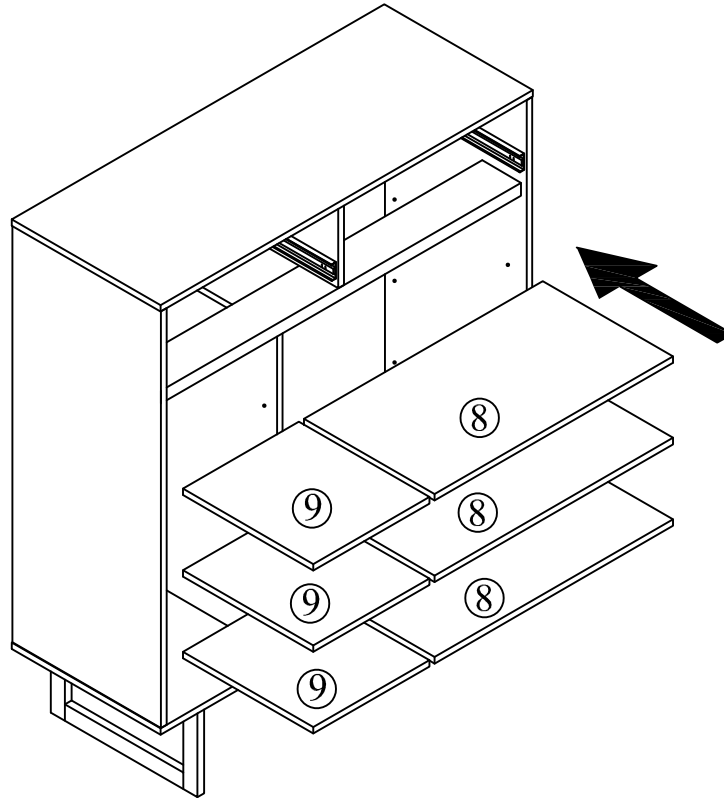
Step 18



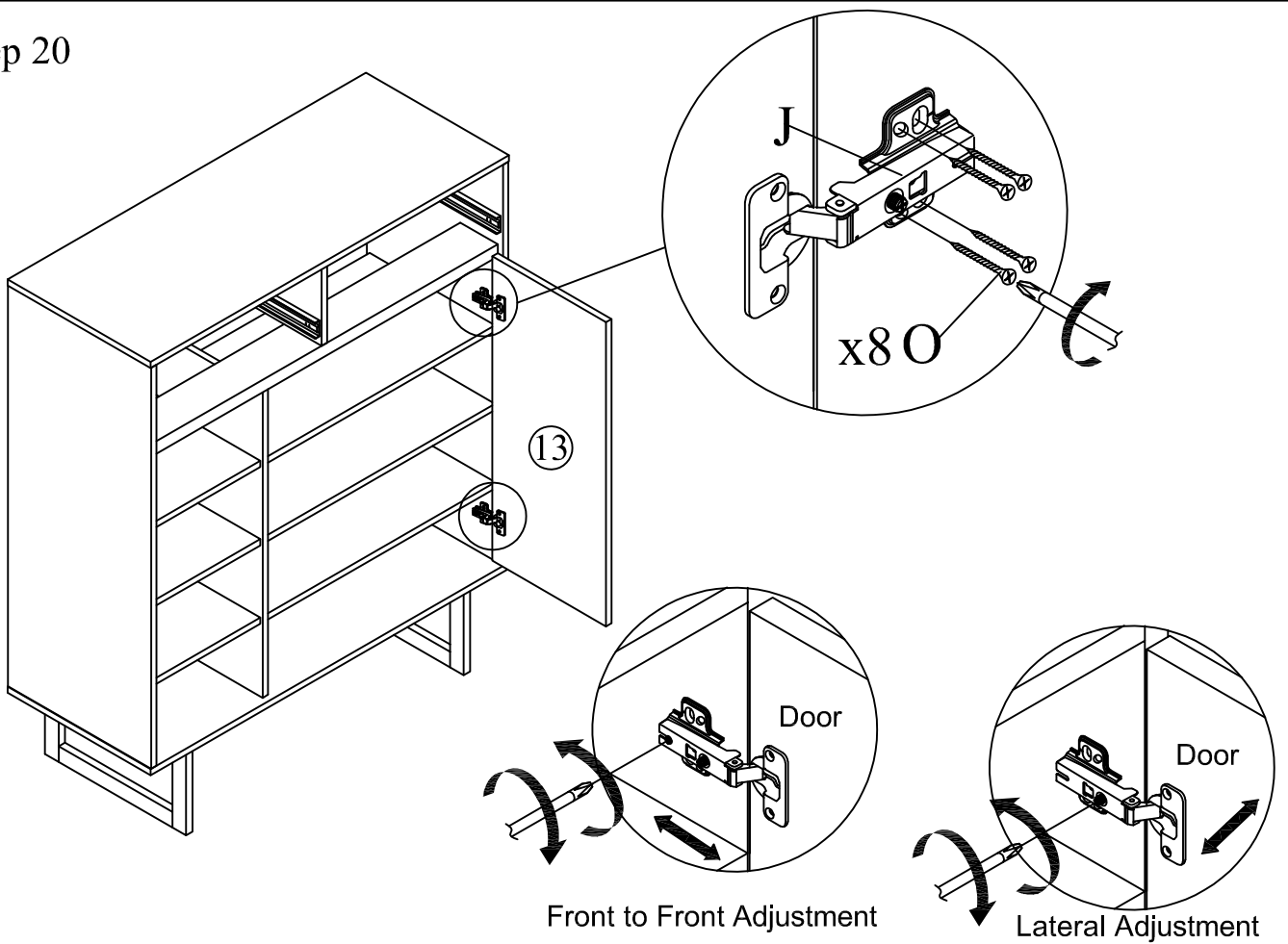
**BACK VIEW**



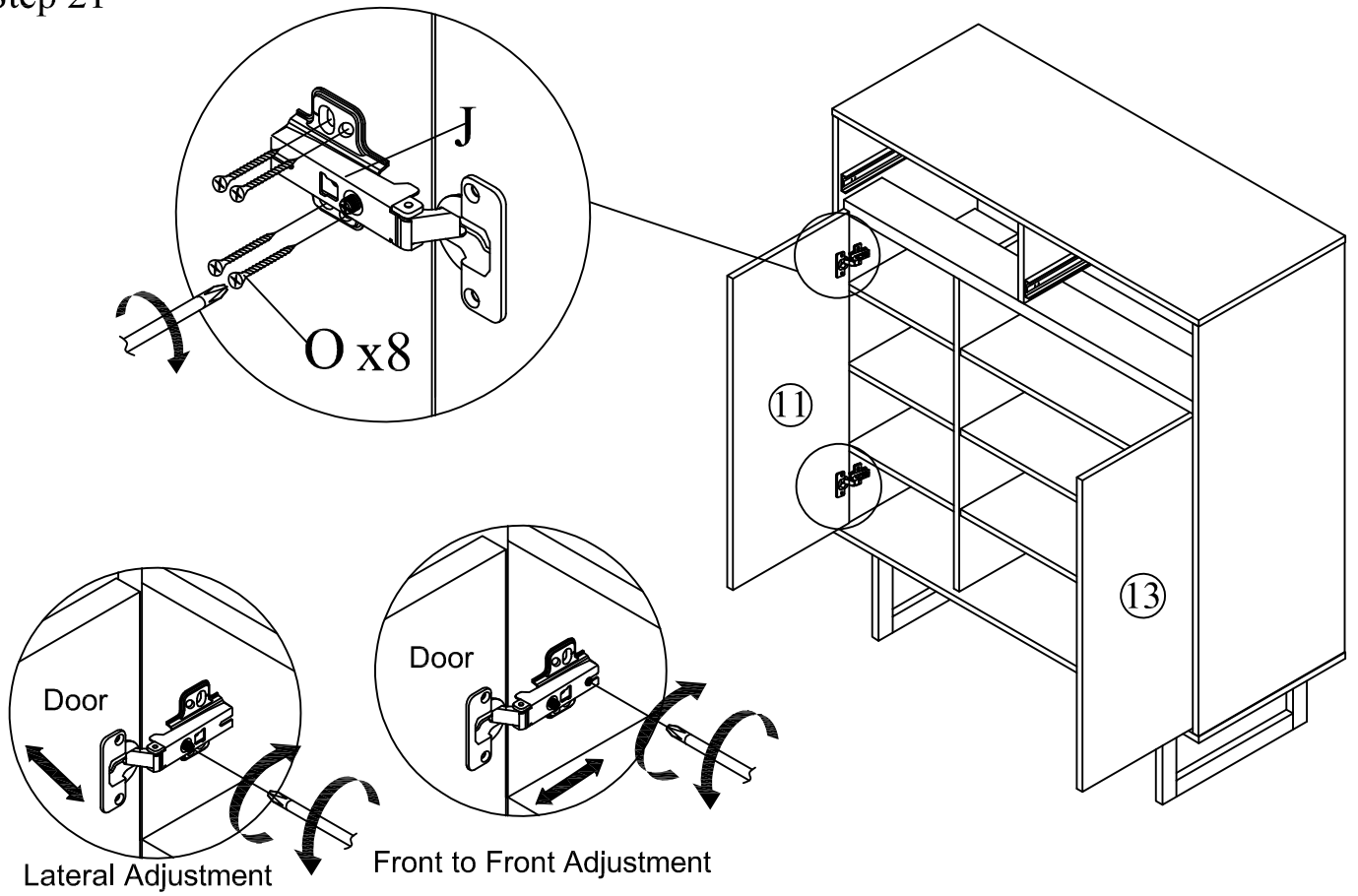
Step 19



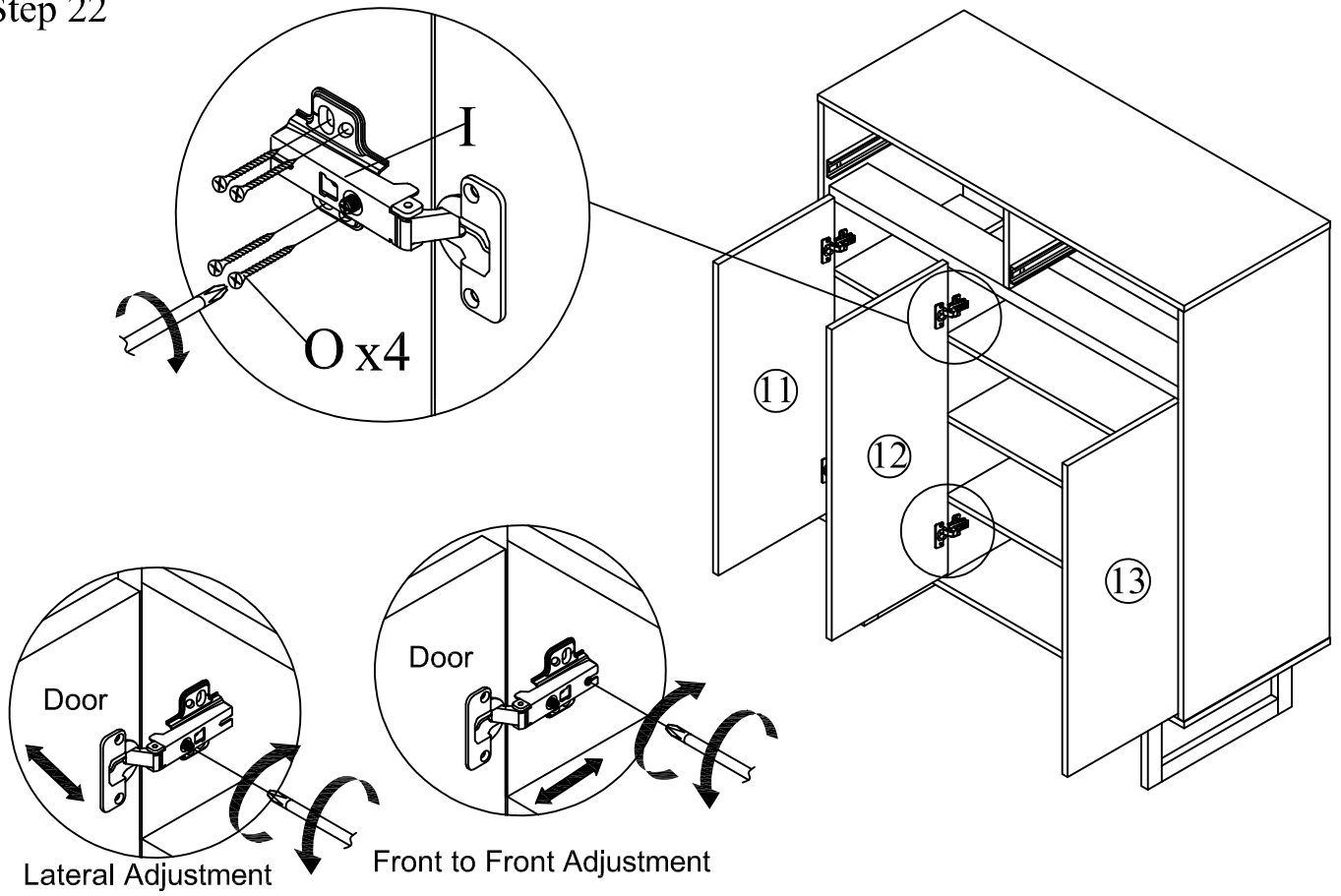
Step 20



### Step 21

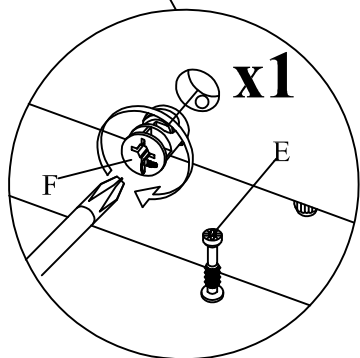
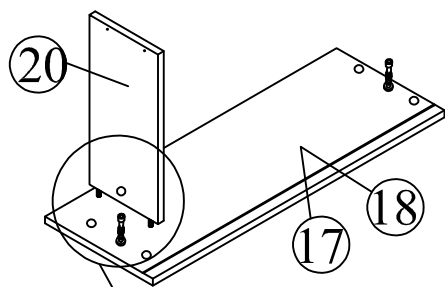


### Step 22



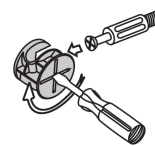
### Step 23

#### Step 23.1



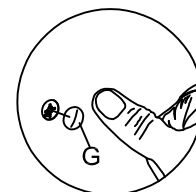
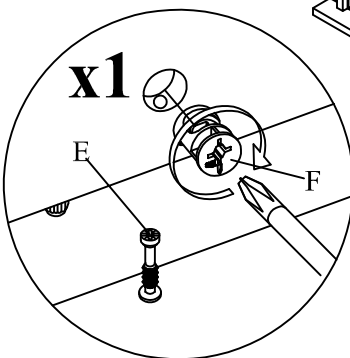
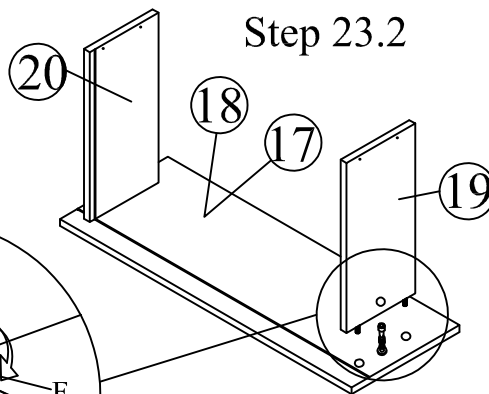
This is how a mini fix works...

The head of the mini fix housing goes into the open mouth of the mini fix bolt. You then turn the mini fix housing so it tightens over the mini fix bolt.



x2

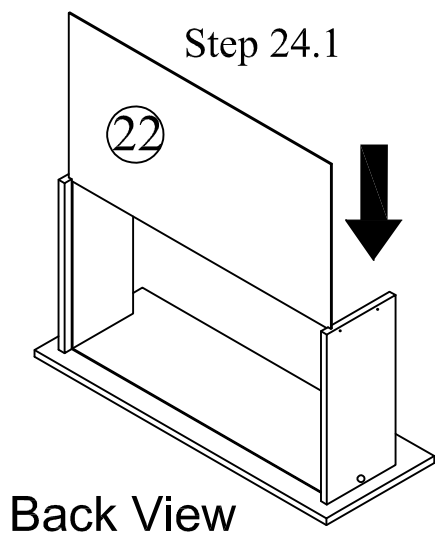
#### Step 23.2



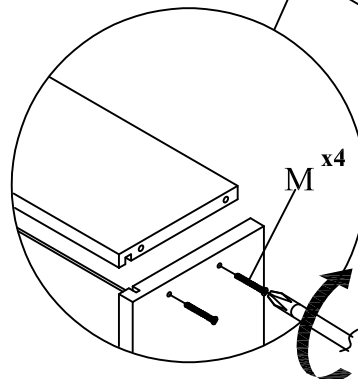
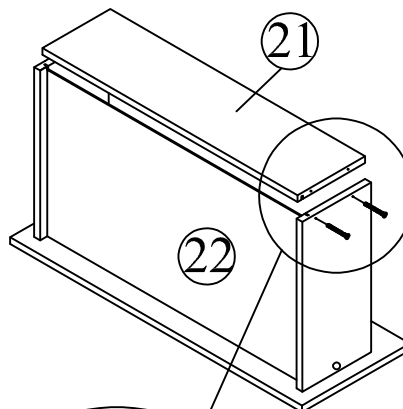
\*Attach Minifix Cap as shown.

### Step 24

#### Step 24.1



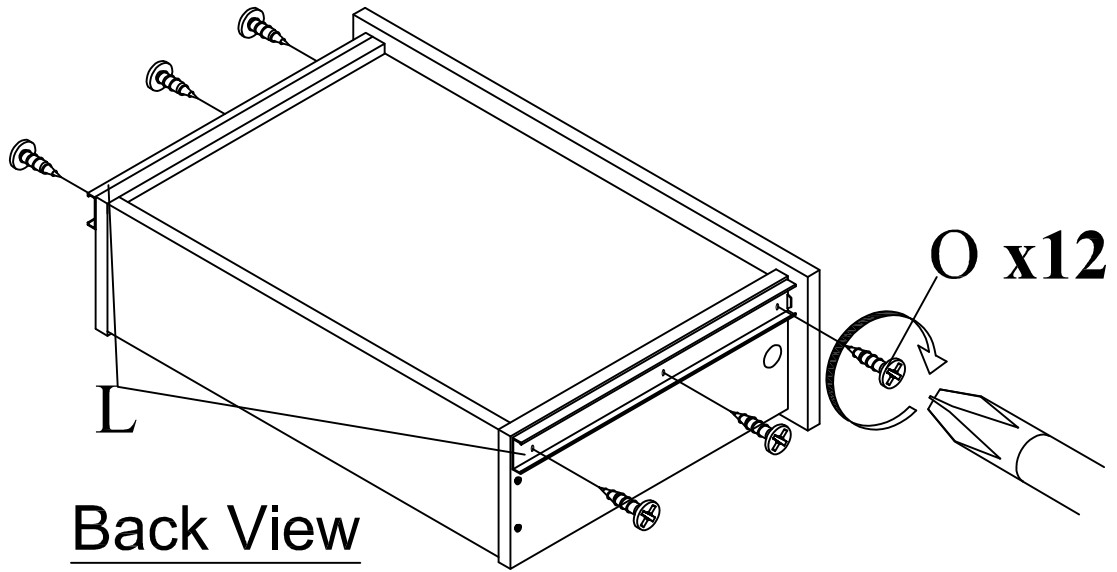
#### Step 24.2



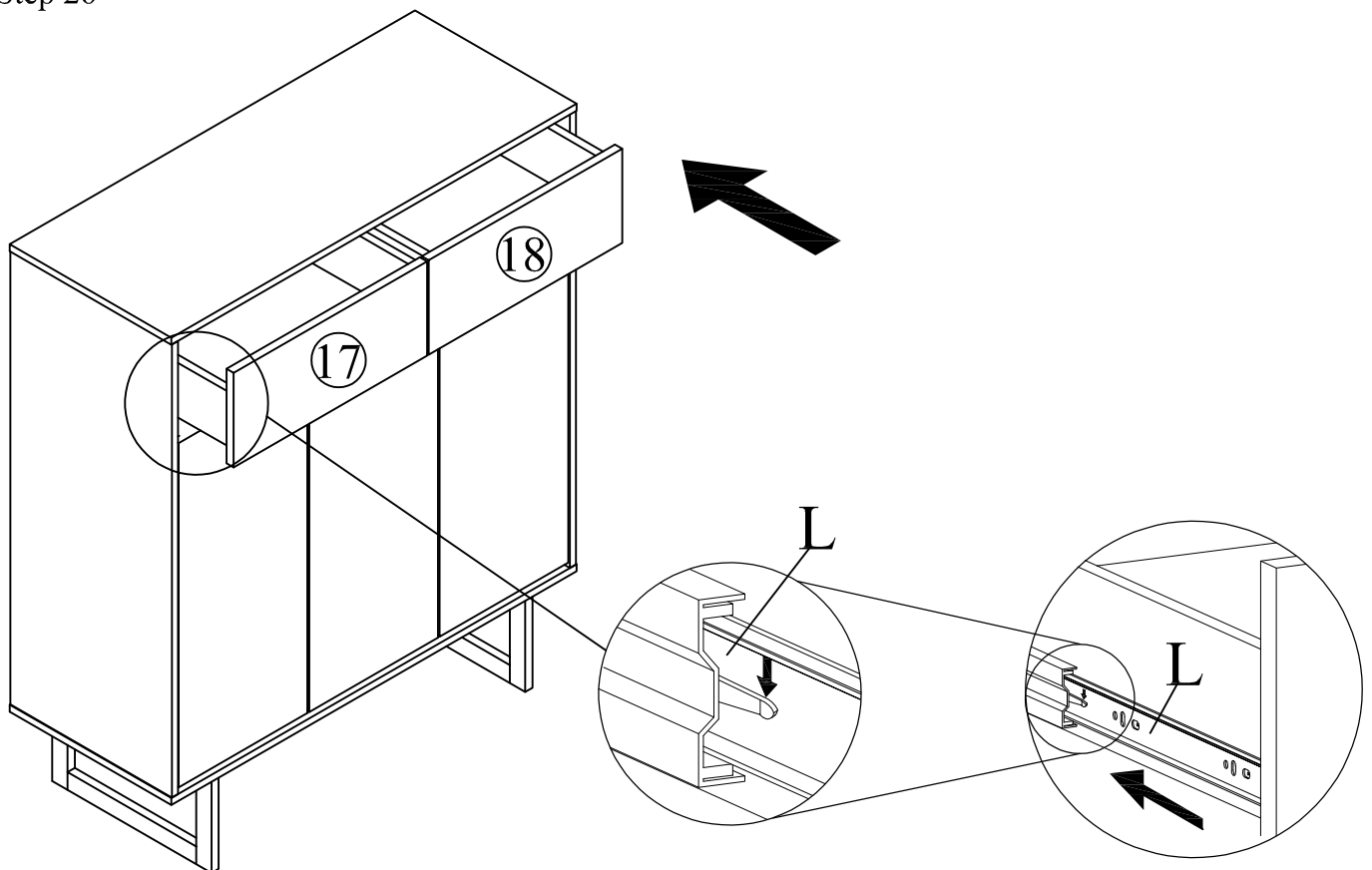
x2

Step 25

x2



Step 26



Anti -  
Tipping

(A)



CSK Screw  
M3.5x16mm  
1PC

(B)



CSK Screw  
M4x50mm  
1PC

(C)

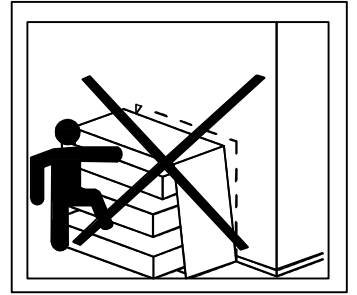
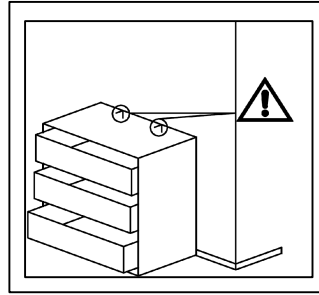


L BRACKET  
2PCS

(D)



CABLE TIE  
1PC



BACK VIEW

