

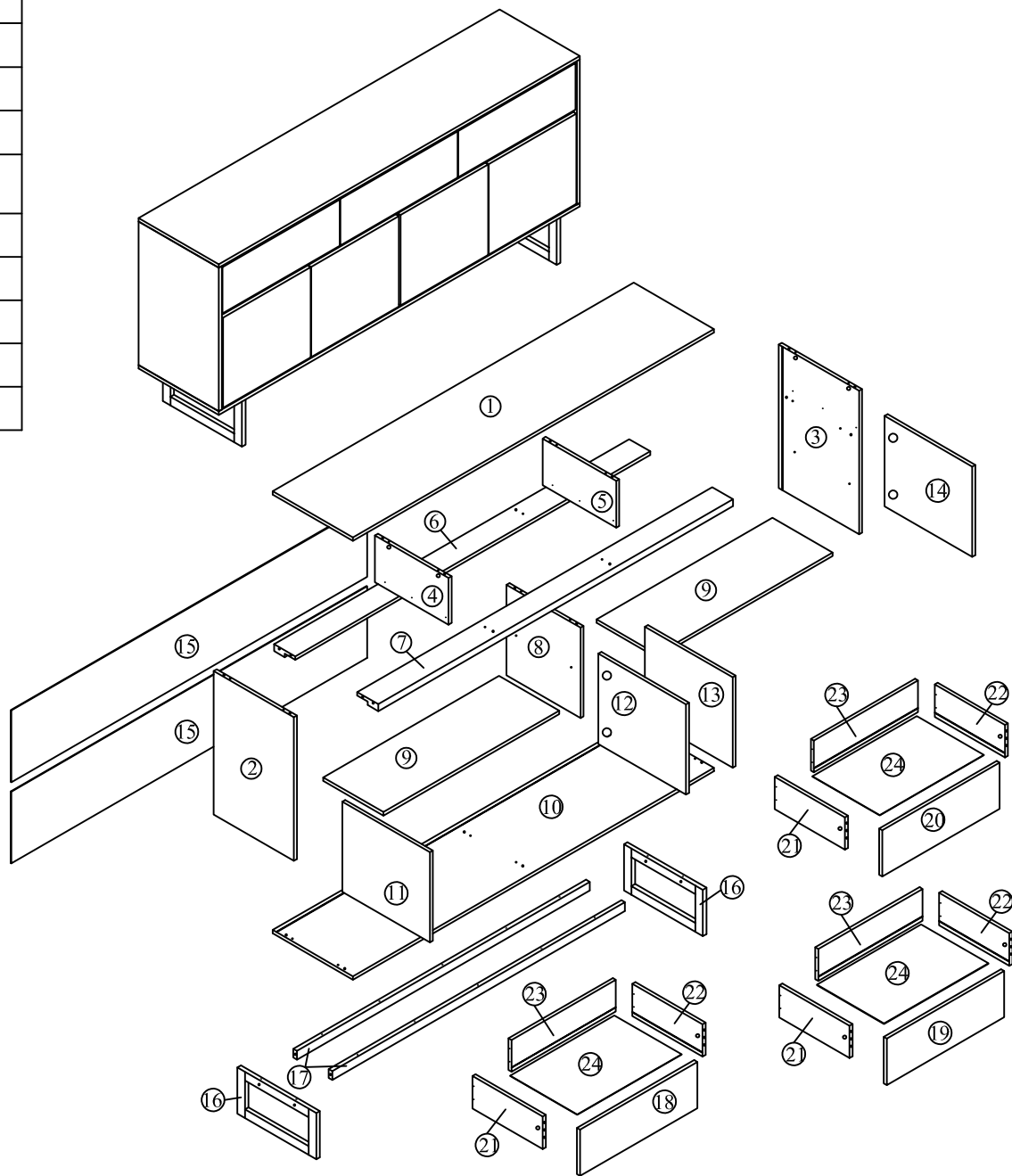
Assembly Instructions

ECOLIFE

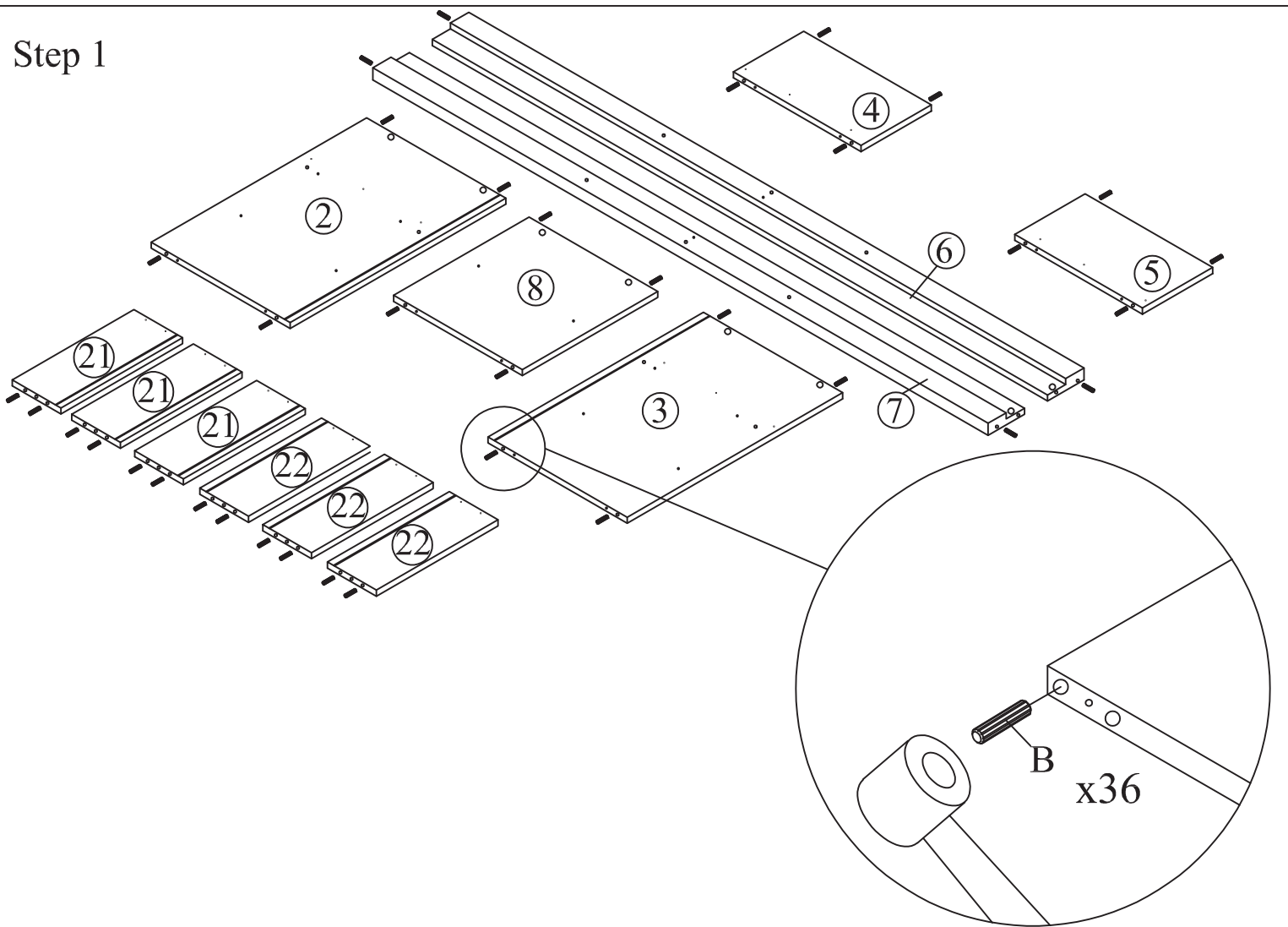
MODEL : MPC 8040-B-DARWIN/SEVILLE SERIES MULTI PURPOSE CABINET

Part List		QTY
1	Top Panel	1
2	Left Side Panel	1
3	Right Side Panel	1
4	Small Upper Panel (L)	1
5	Small Upper Panel (R)	1
6	Back Support Panel	1
7	Front Support Panel	1
8	Middle Panel	1
9	Shelf Panel	2
10	Bottom Panel	1
11	Left Door Panel	1
12	Center Left Door Panel	1
13	Center Right Door Panel	1
14	Right Door Panel	1
15	Back Panel	2
16	Metal Legs	2
17	Metal Support Legs	2
18	Drawer Front Panel (L)	1
19	Drawer Front Panel (Center)	1
20	Drawer Front Panel (R)	1
21	Drawer Side Panel (L)	3
22	Drawer Side Panel (R)	3
23	Drawer Back Panel	3
24	Drawer Bottom Panel	3

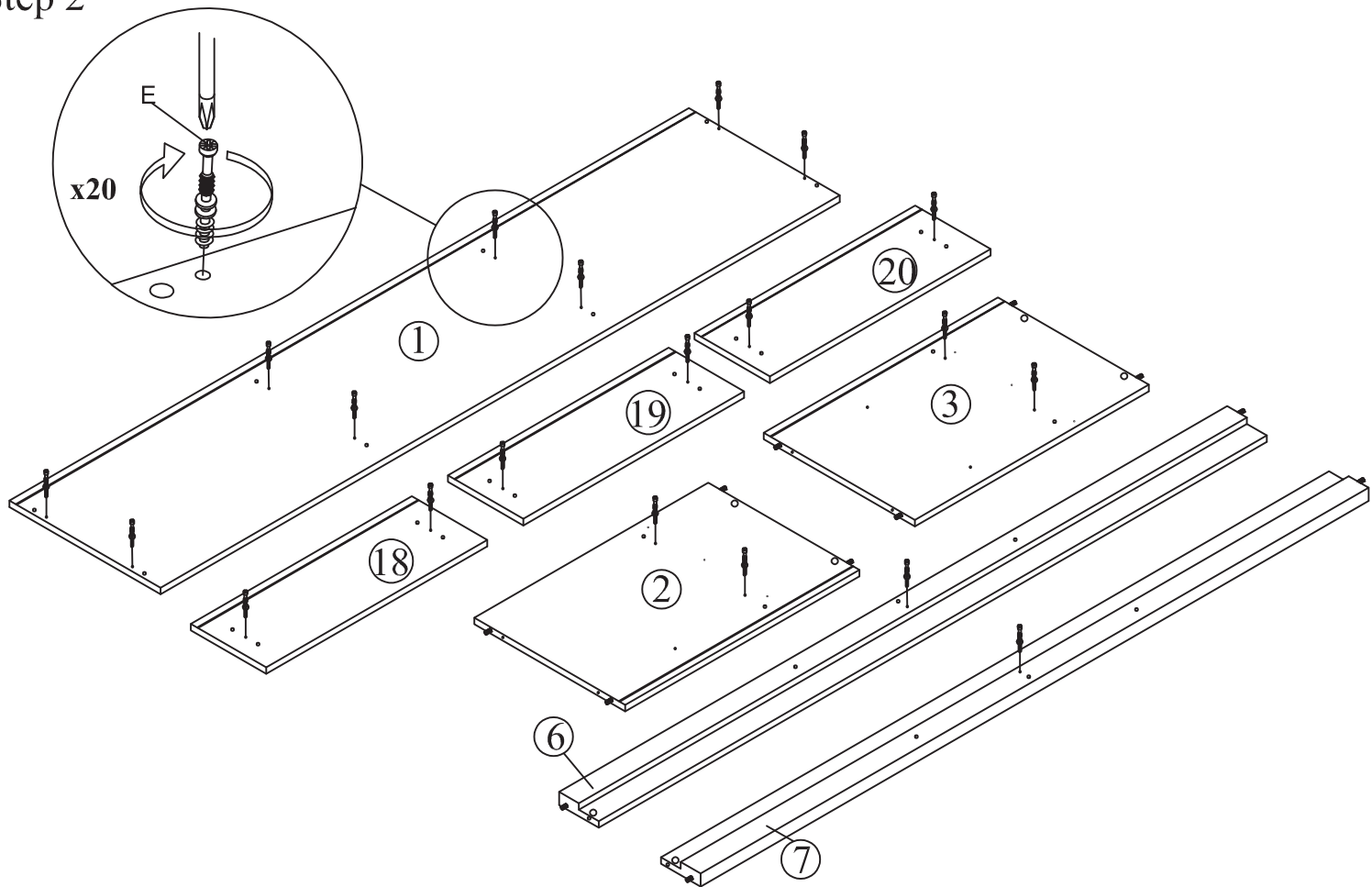
Hardware		QTY
A	Allen Key M4	1
B	Plastic Dowel	36
C	JCBC W Screw M6x40	6
D	JCBC W Screw M6x50	4
E	Mini Fix Bolt	20
F	Mini Fix Housing	20
G	Mini Fix Cap	20
H	H Profile	1
I	5/8 Hinge	8
J	Shelf Support Metal	8
K	Drawer Soft Close	3 set
L	CSK Screw M4x50mm	26
M	CSK Screw M4x20mm Black	4
N	CSK Screw M3.5x16mm	92
O	JCBC Screw M6x50 + M6 Flat Washer	4
P	L Bracket	4



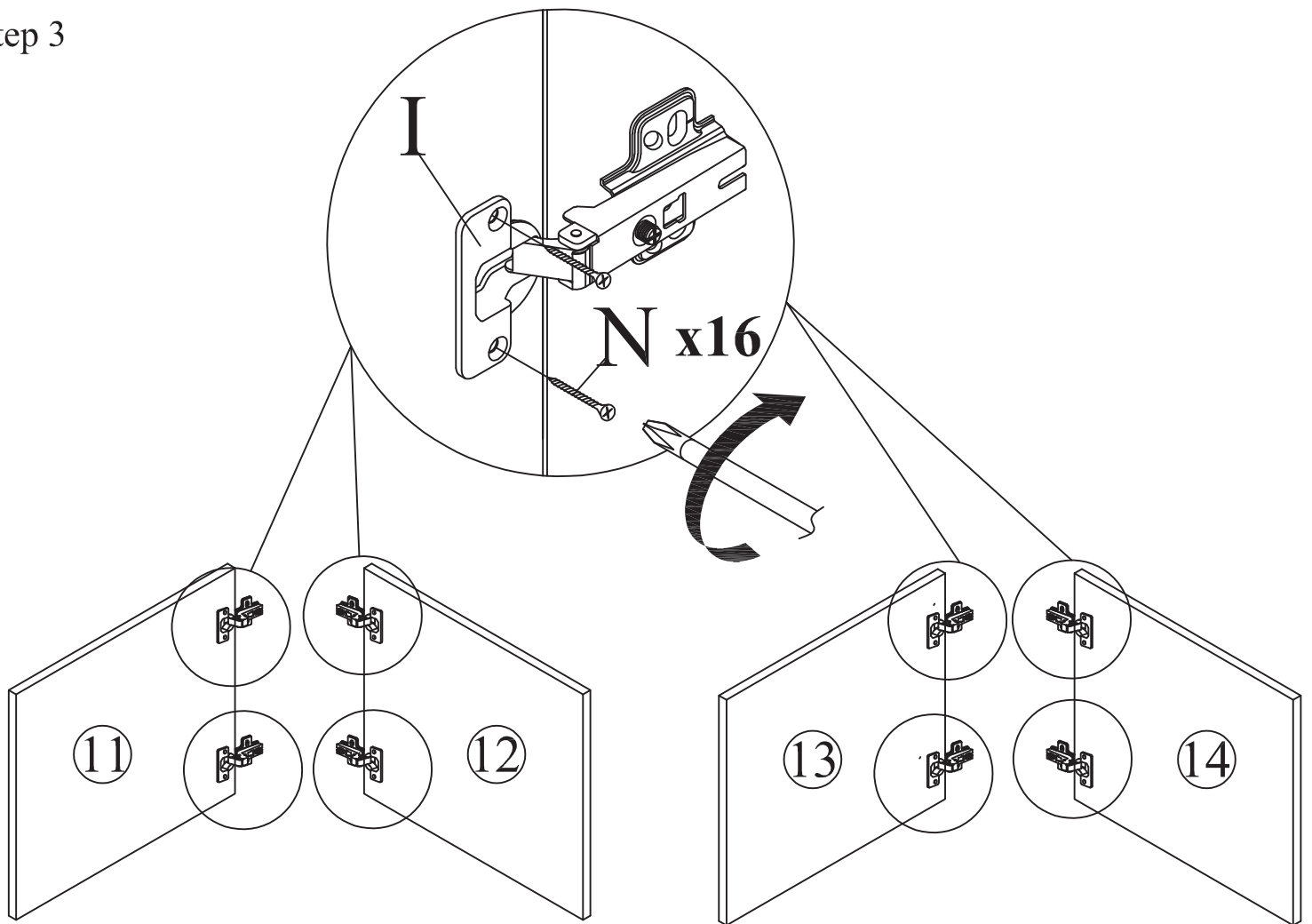
Step 1



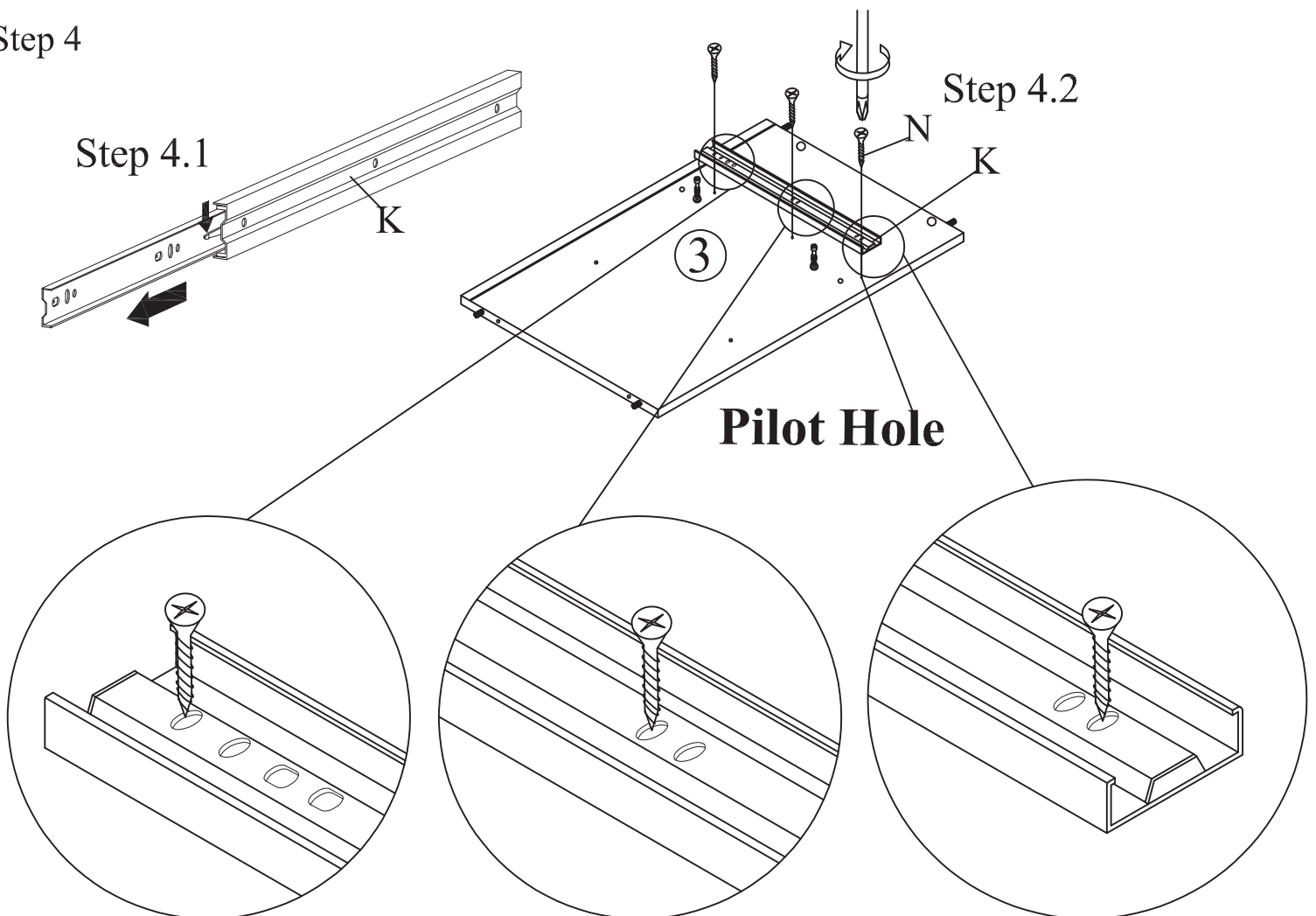
Step 2



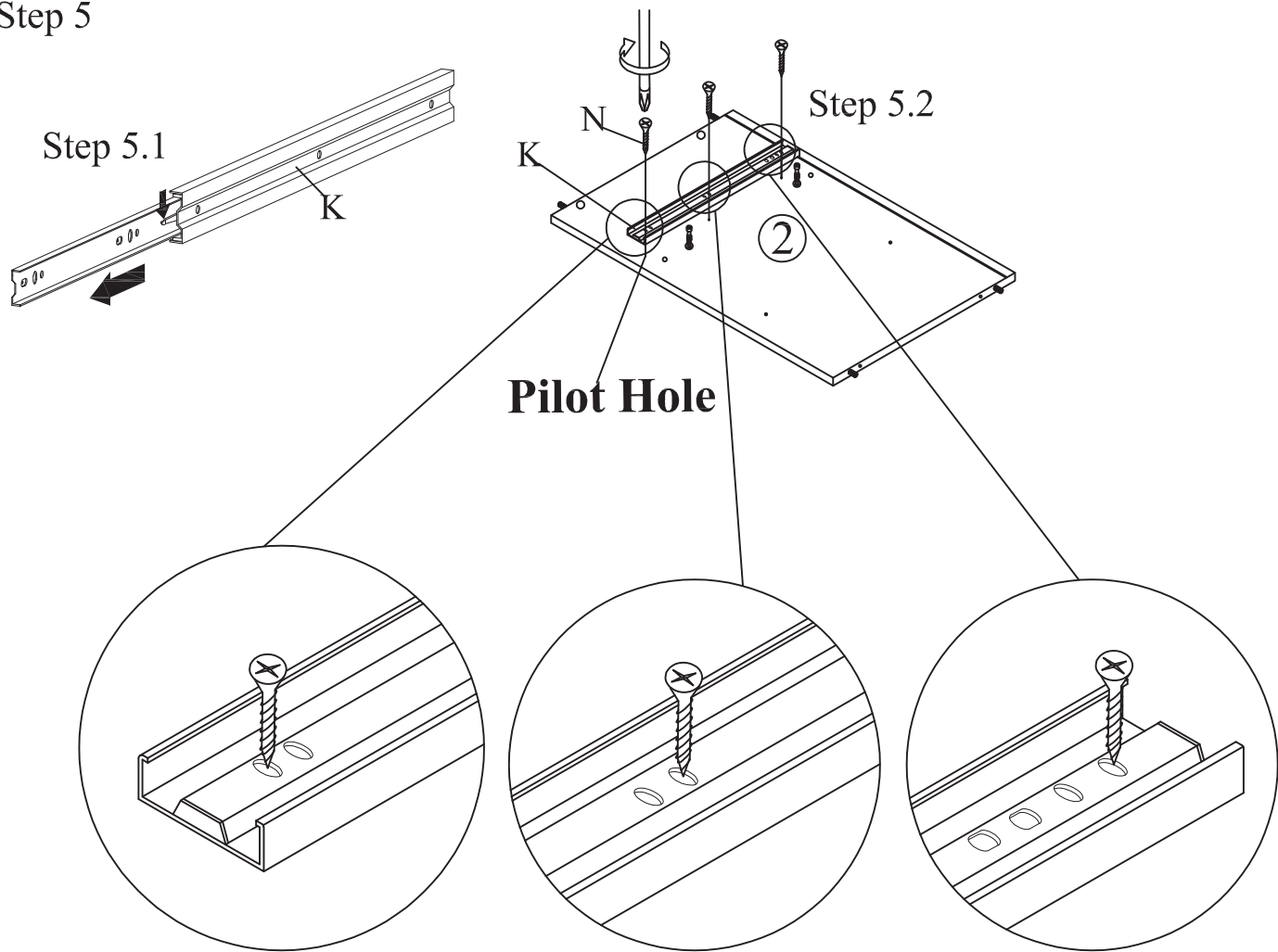
Step 3



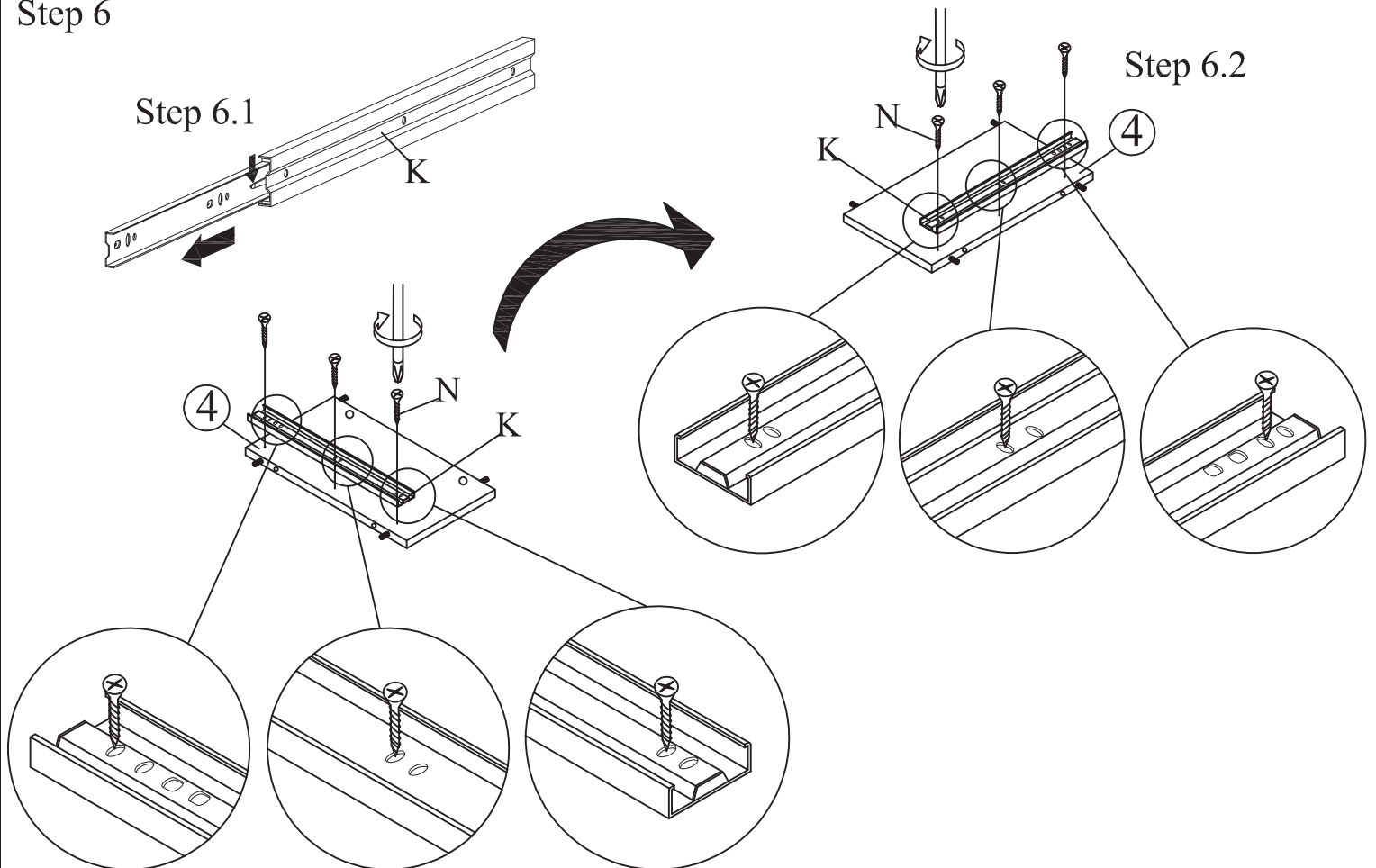
Step 4



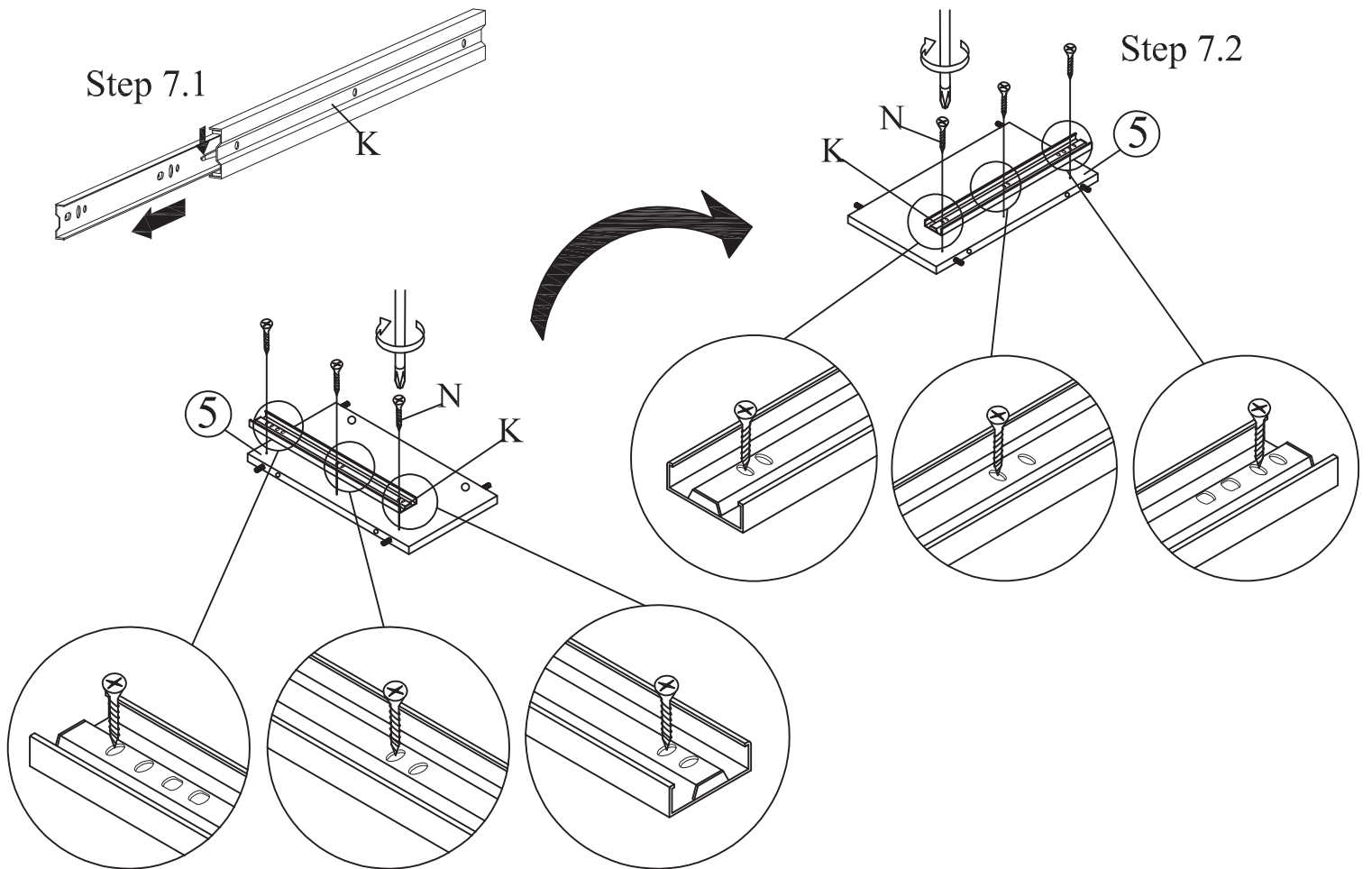
Step 5



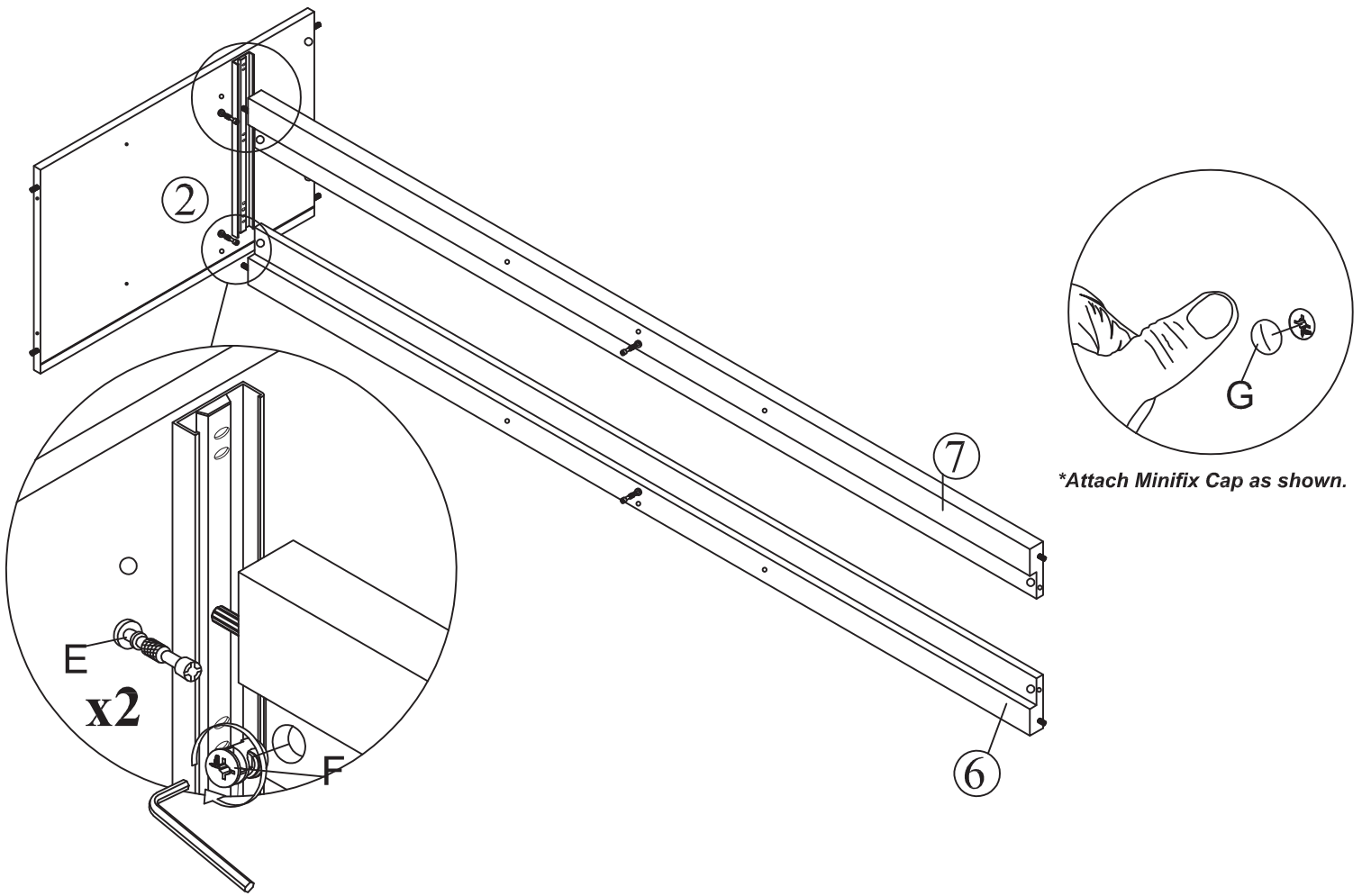
Step 6



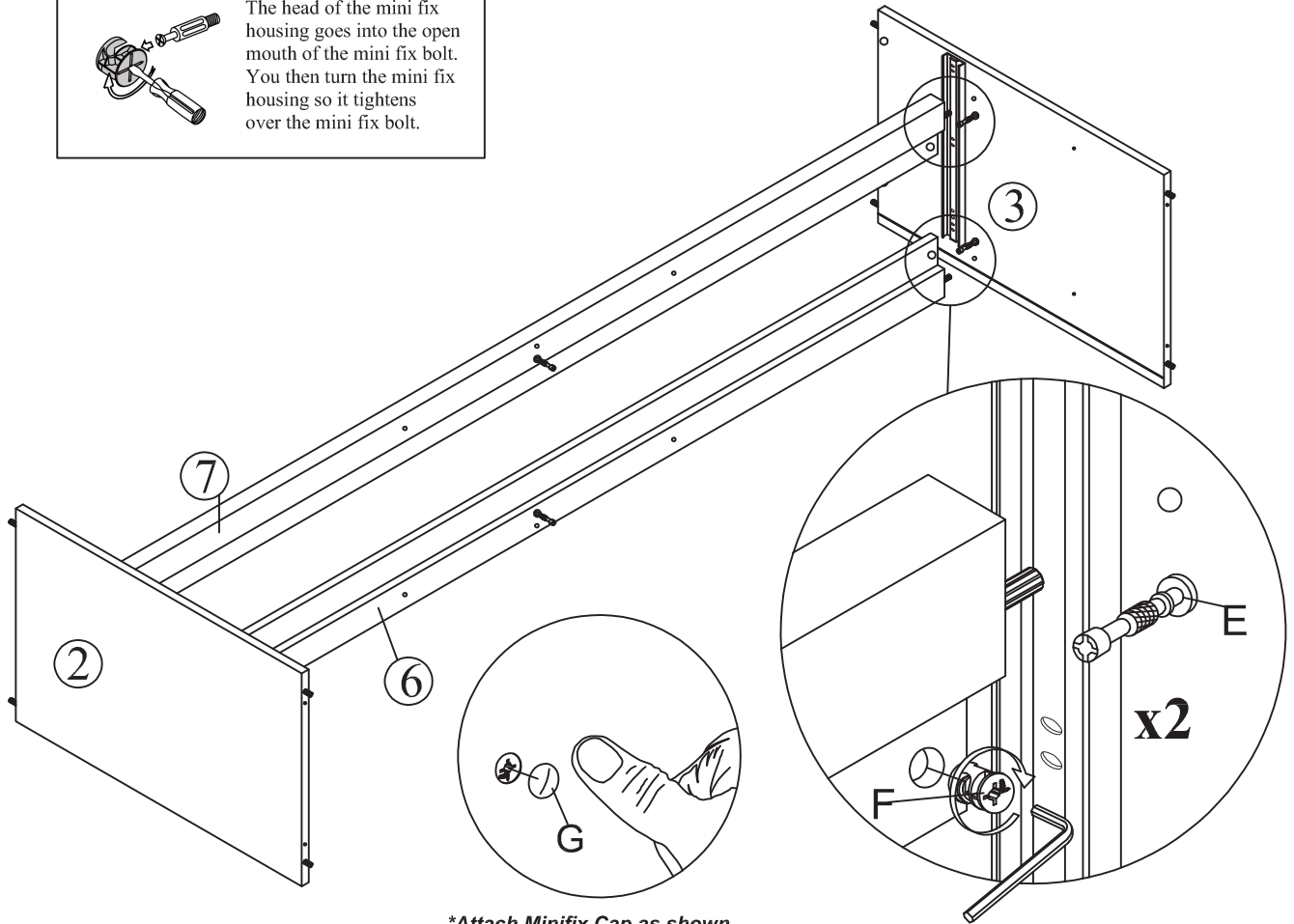
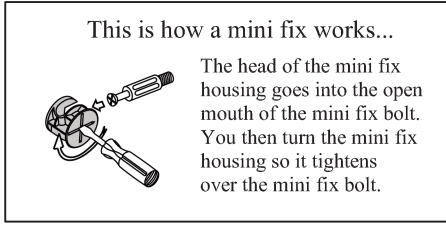
Step 7



Step 8

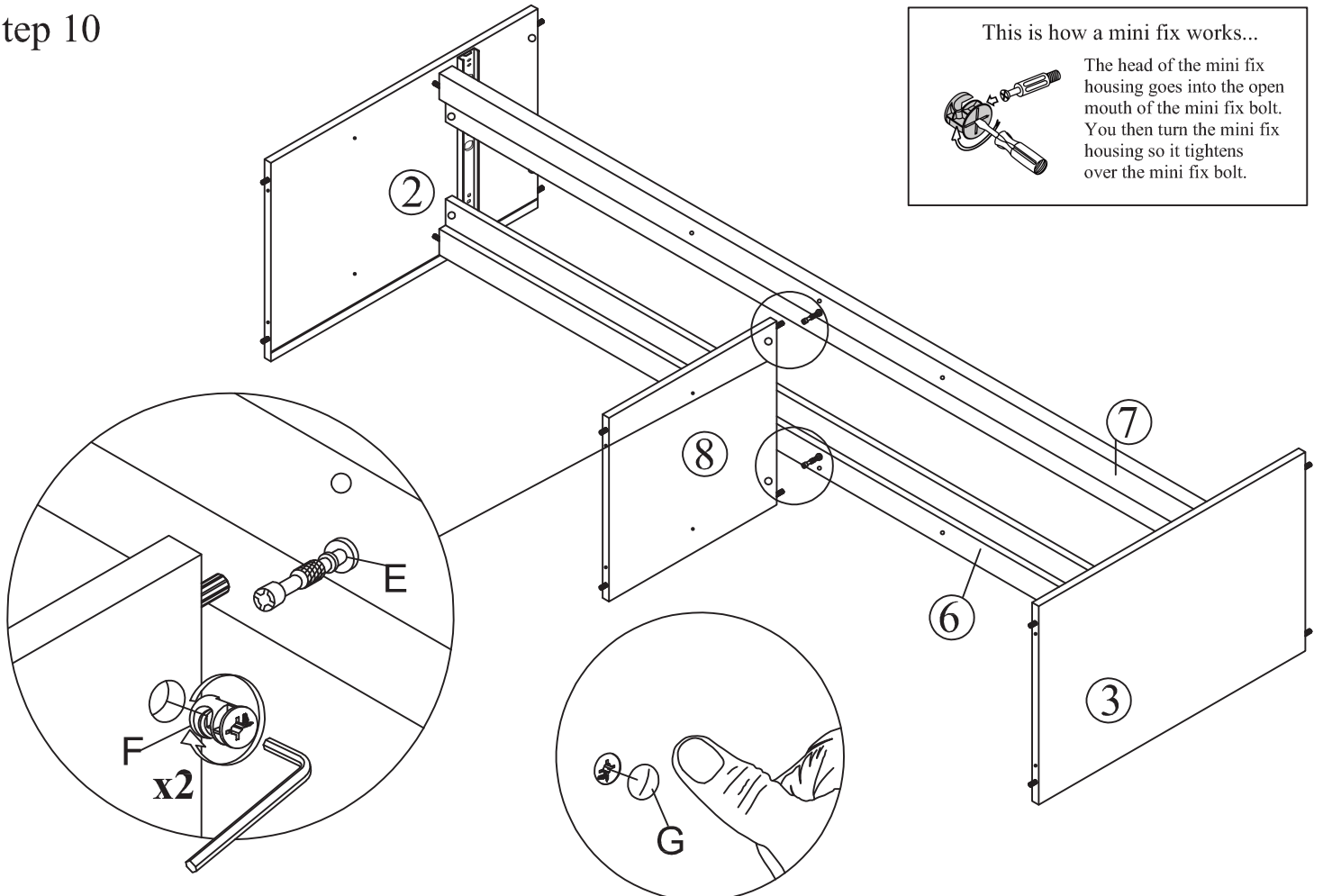
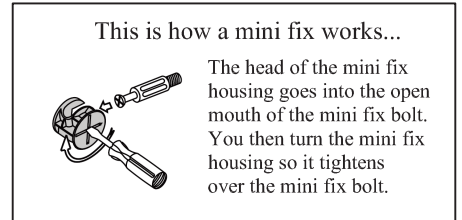


Step 9



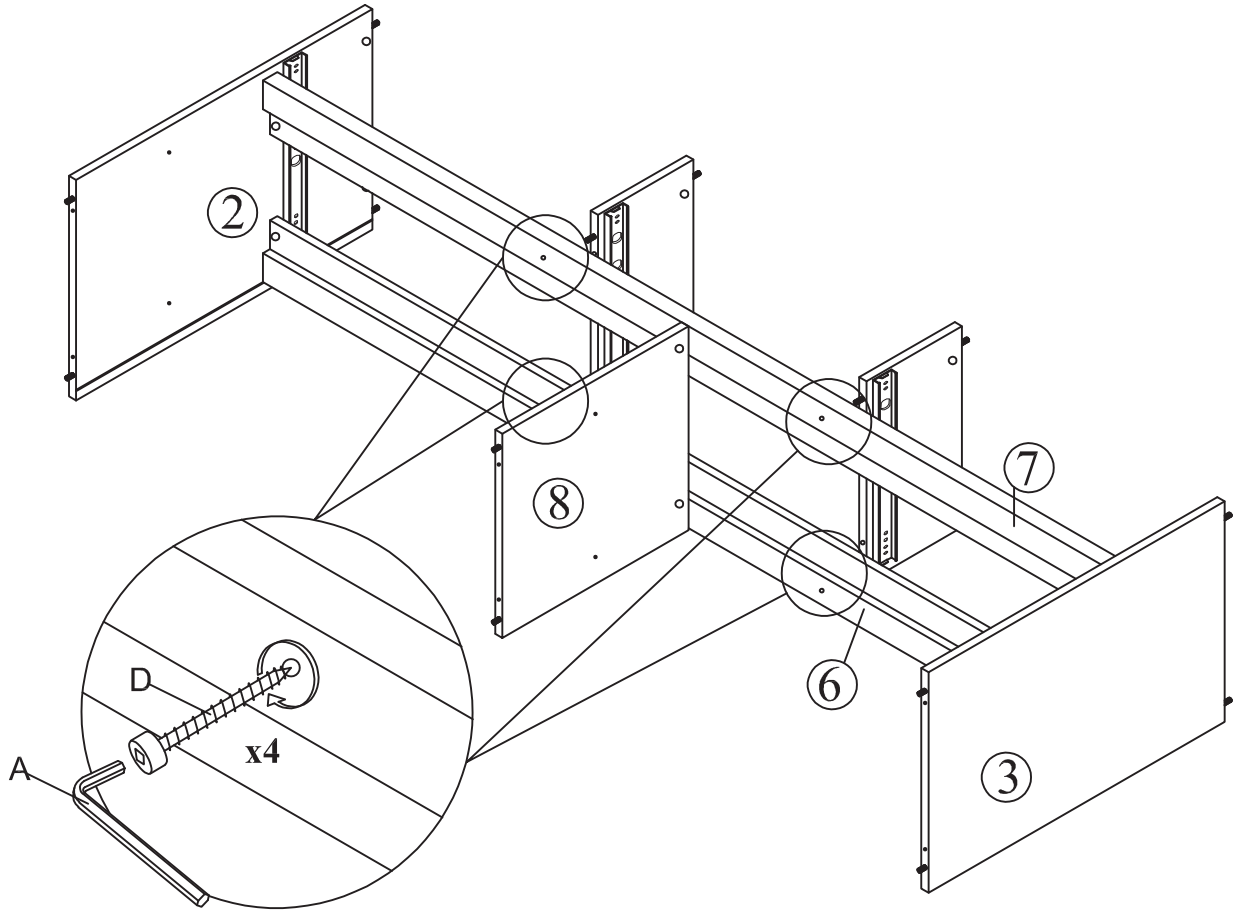
**Attach Minifix Cap as shown.*

Step 10

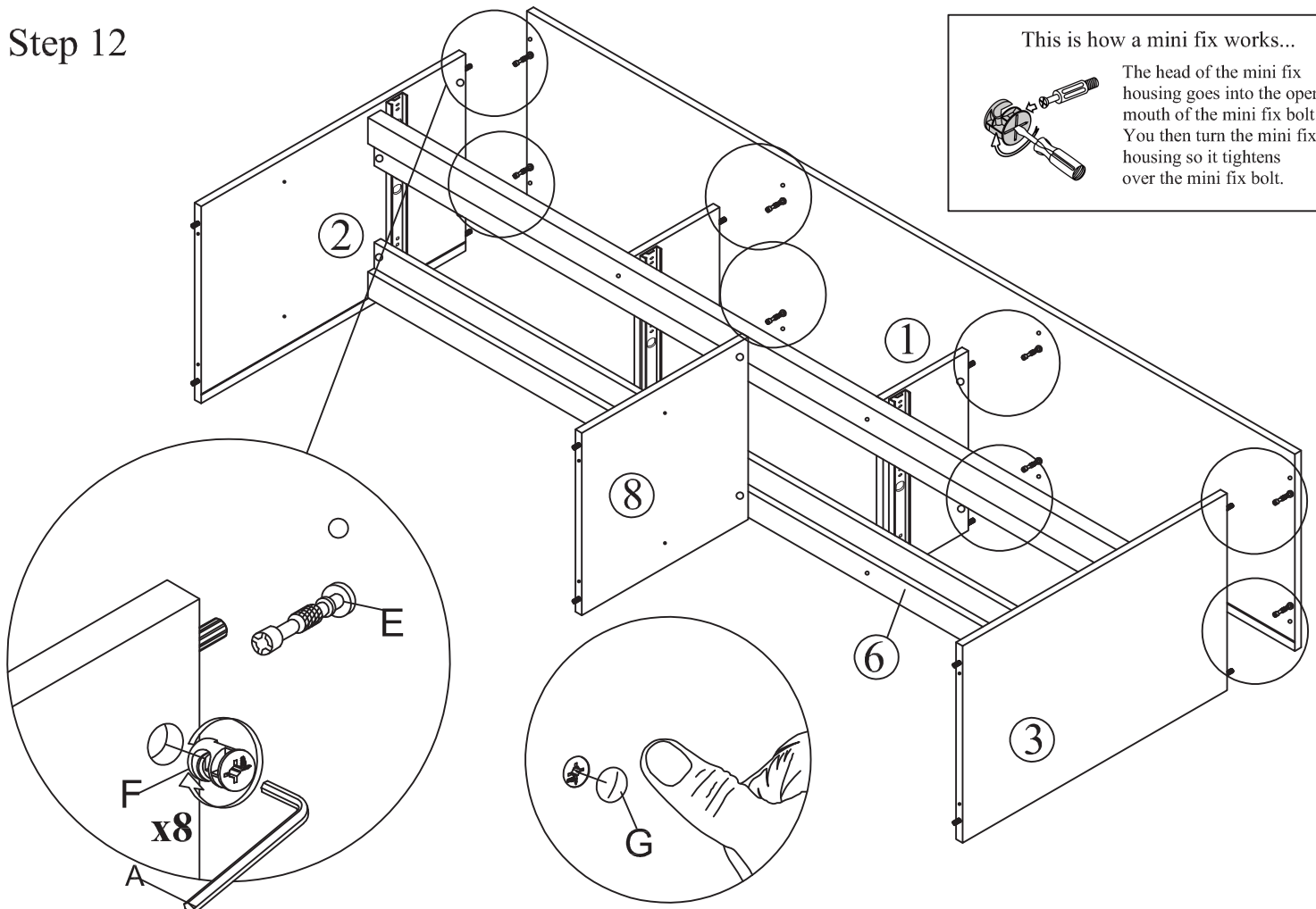


**Attach Minifix Cap as shown.*

Step 11

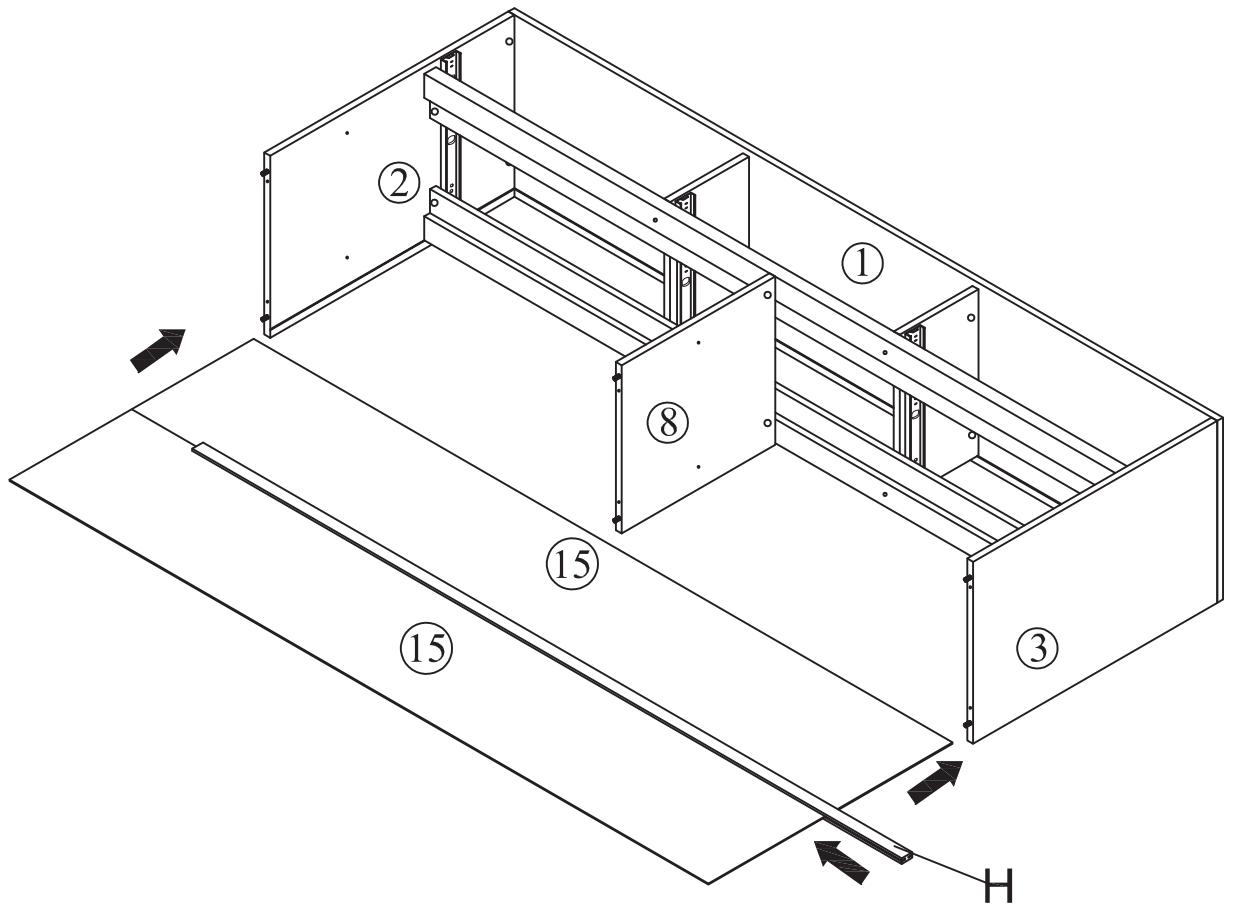


Step 12

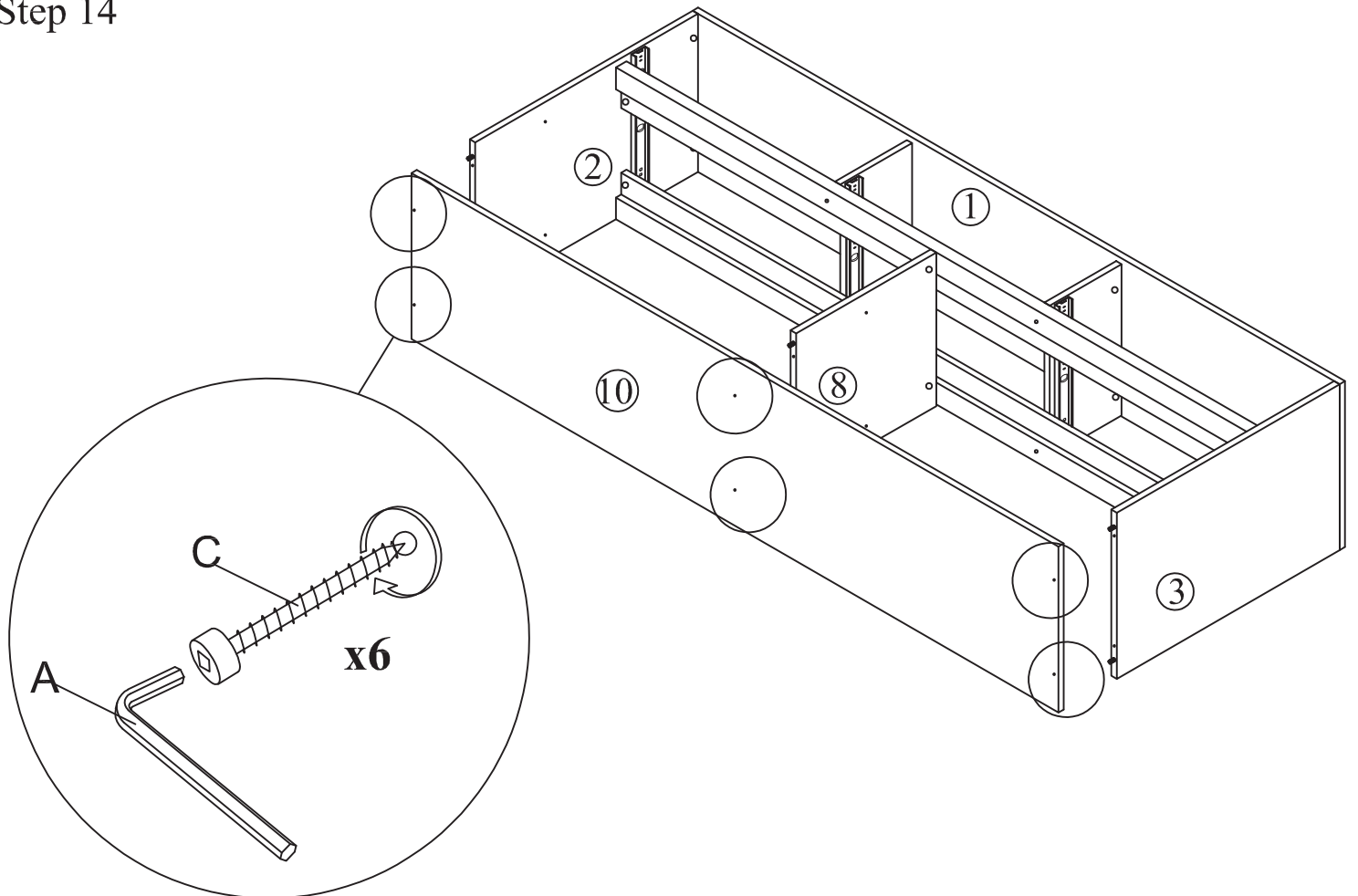


**Attach Minifix Cap as shown.*

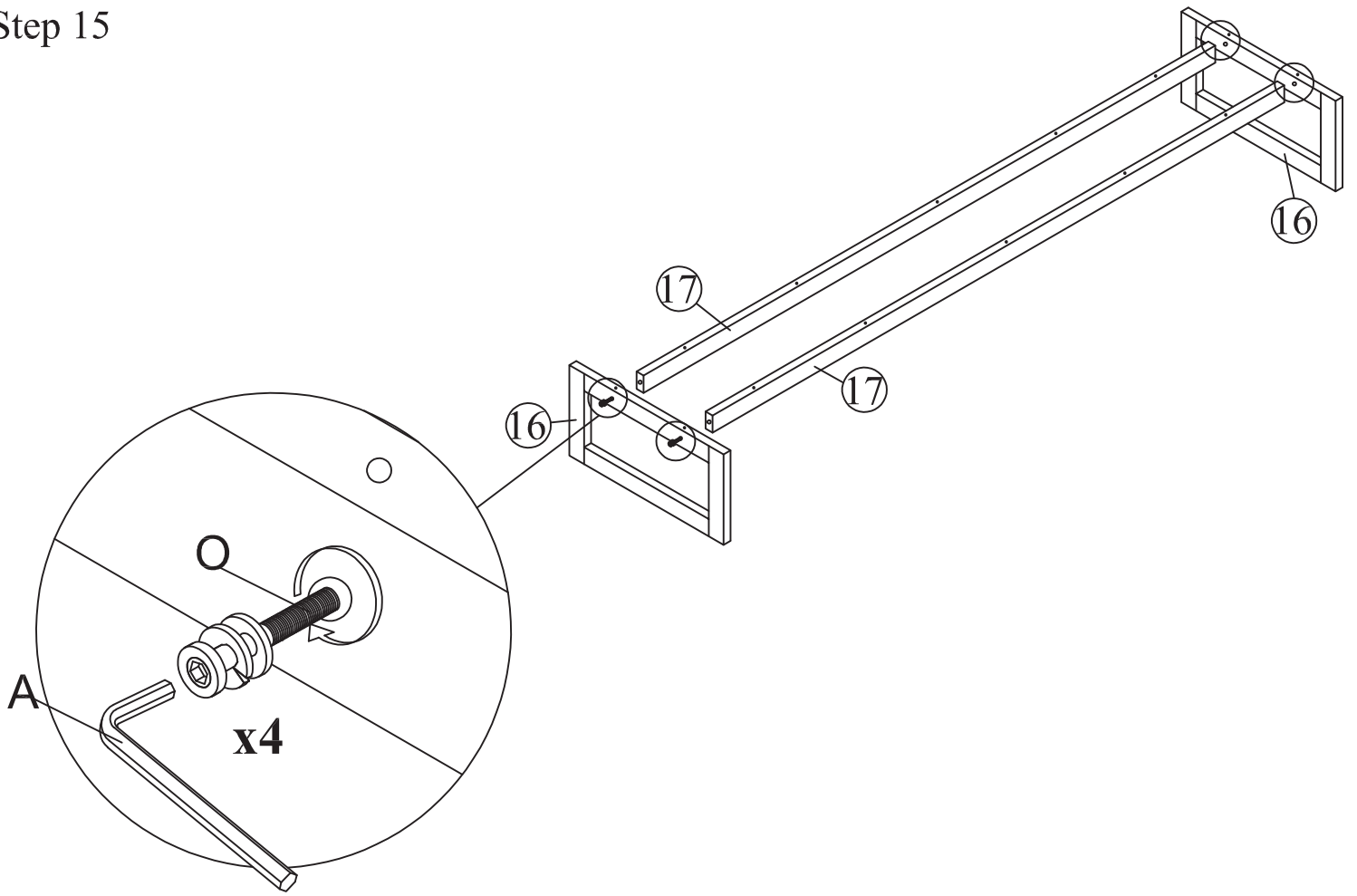
Step 13



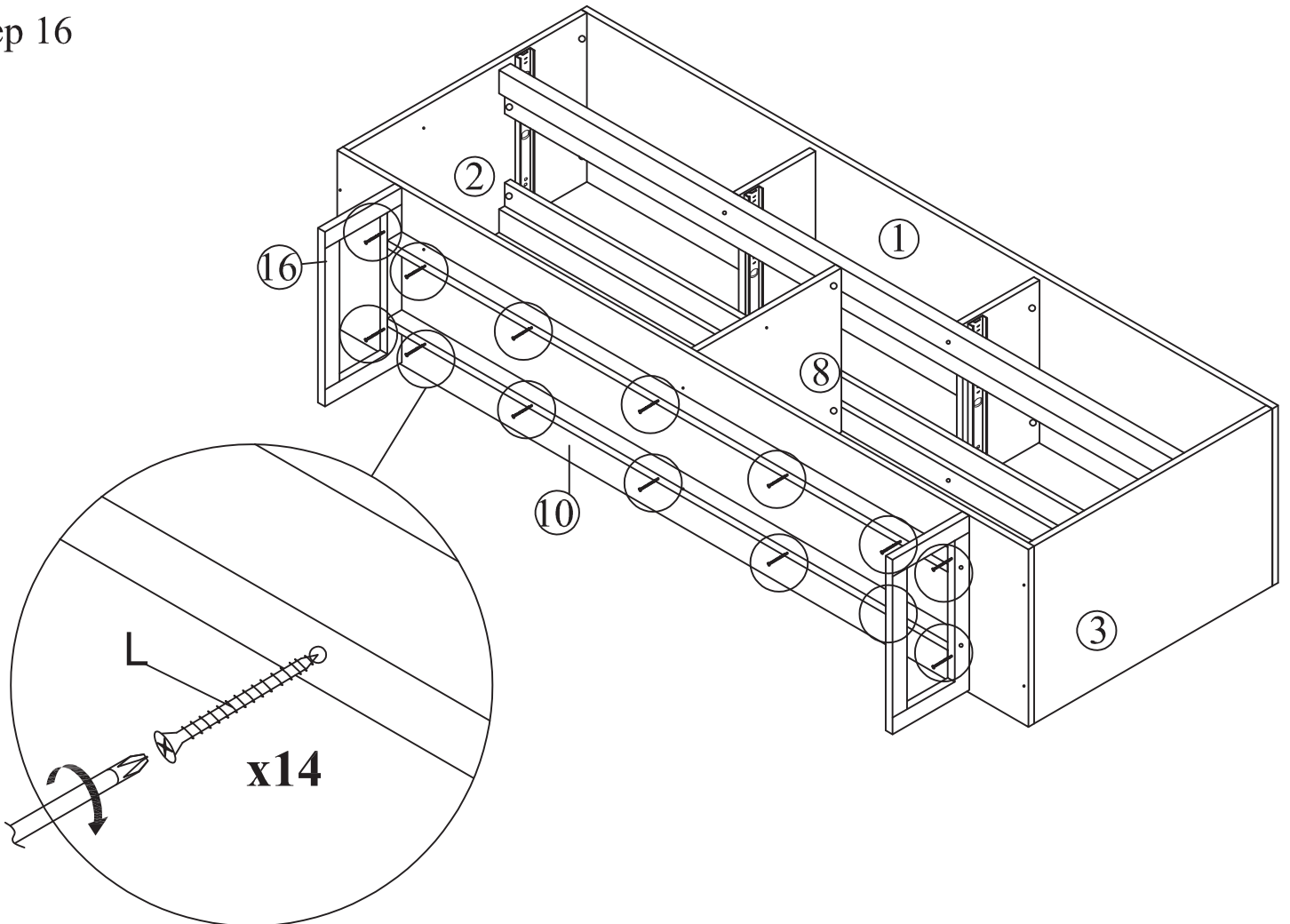
Step 14



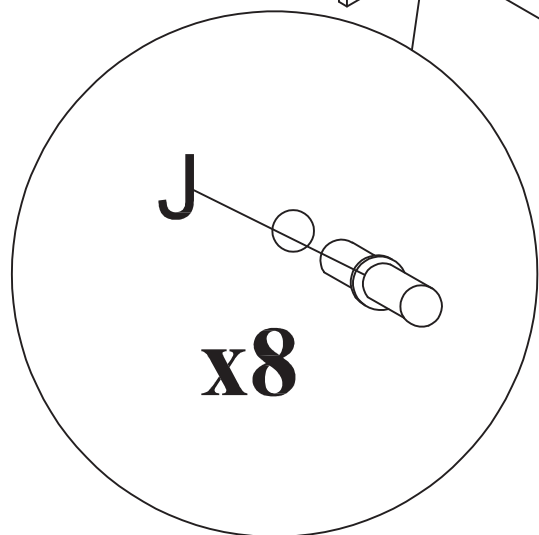
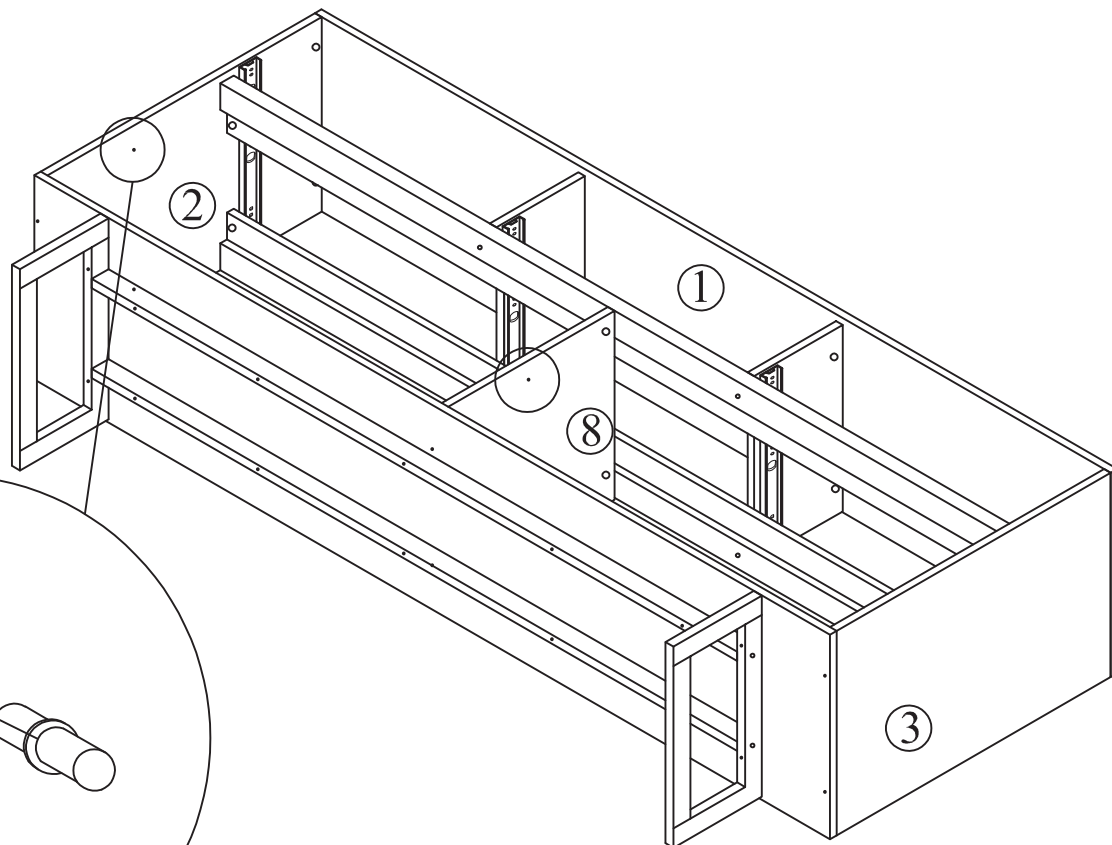
Step 15



Step 16

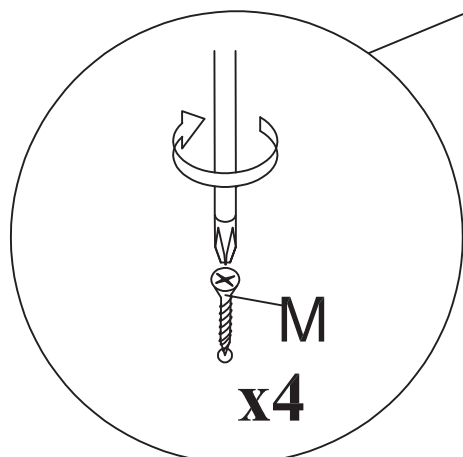
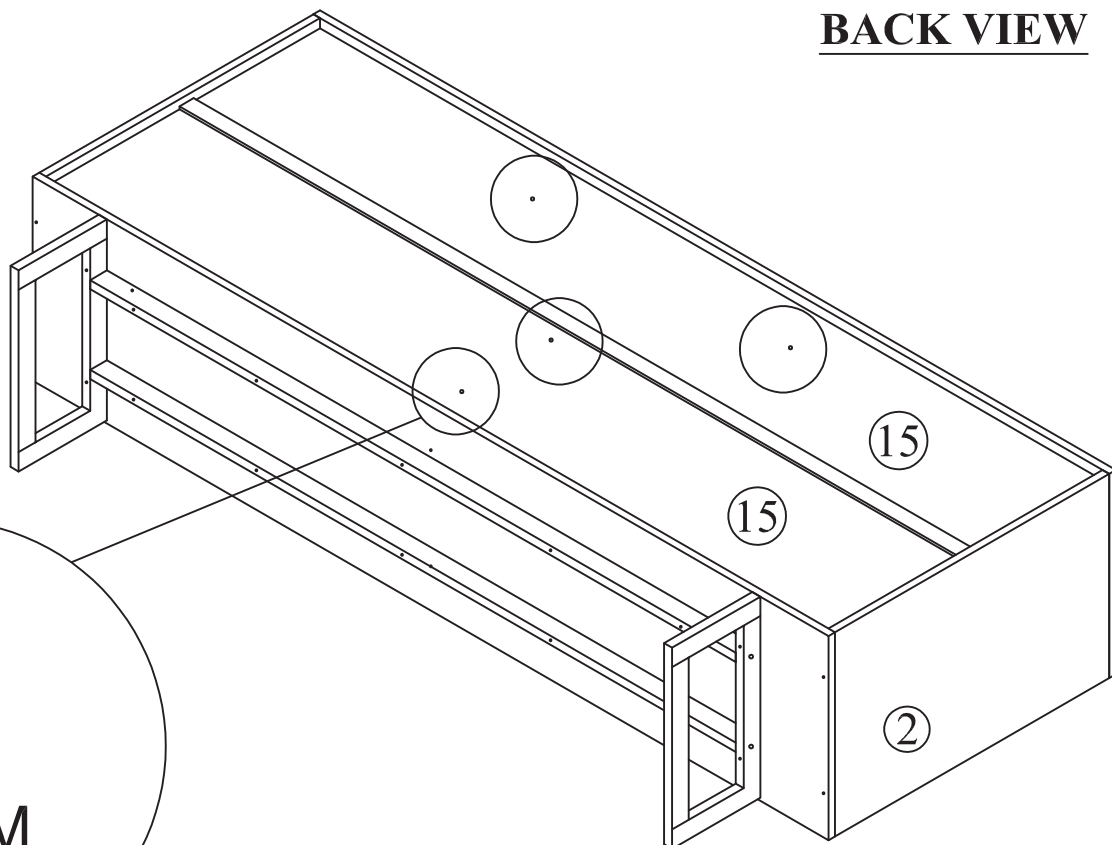


Step 17



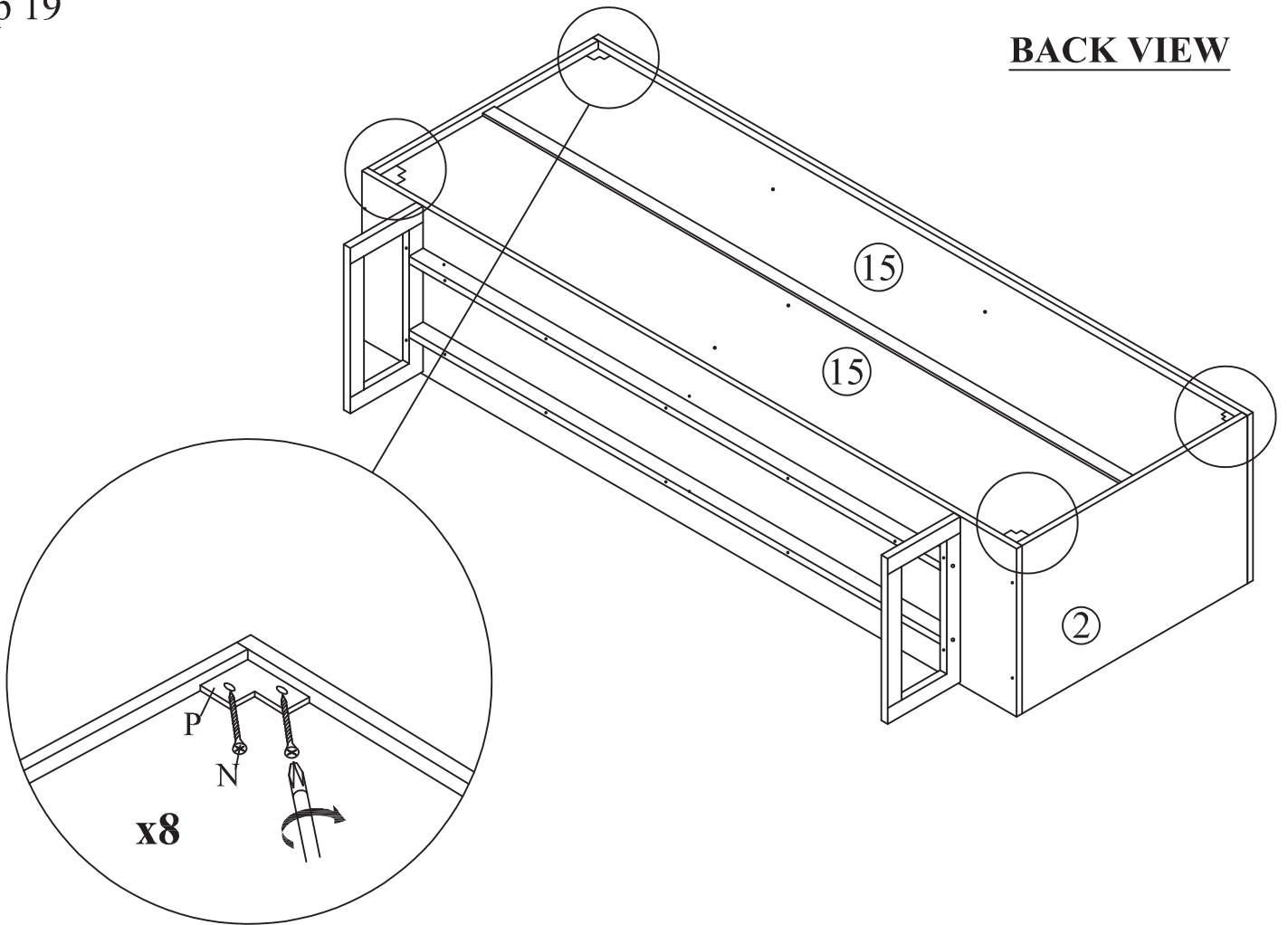
Step 18

BACK VIEW

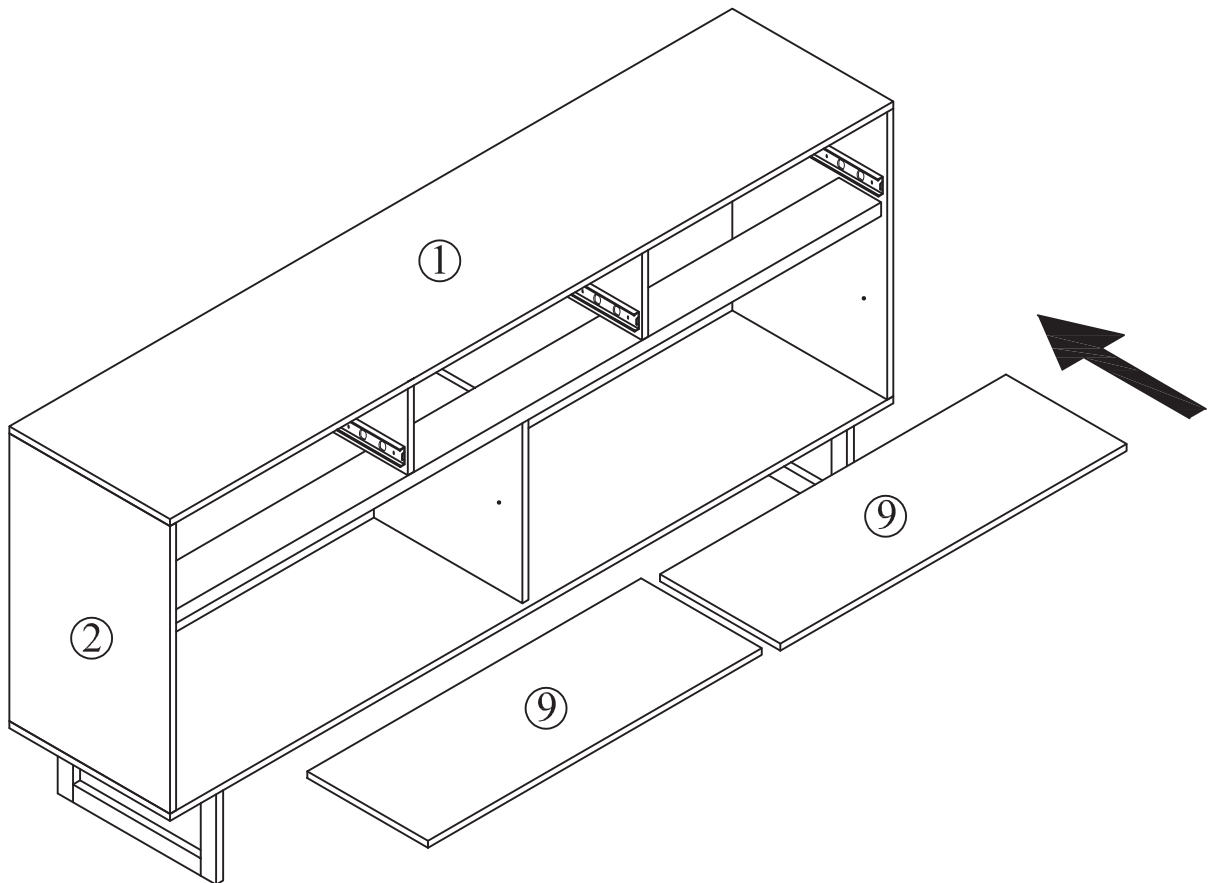


Step 19

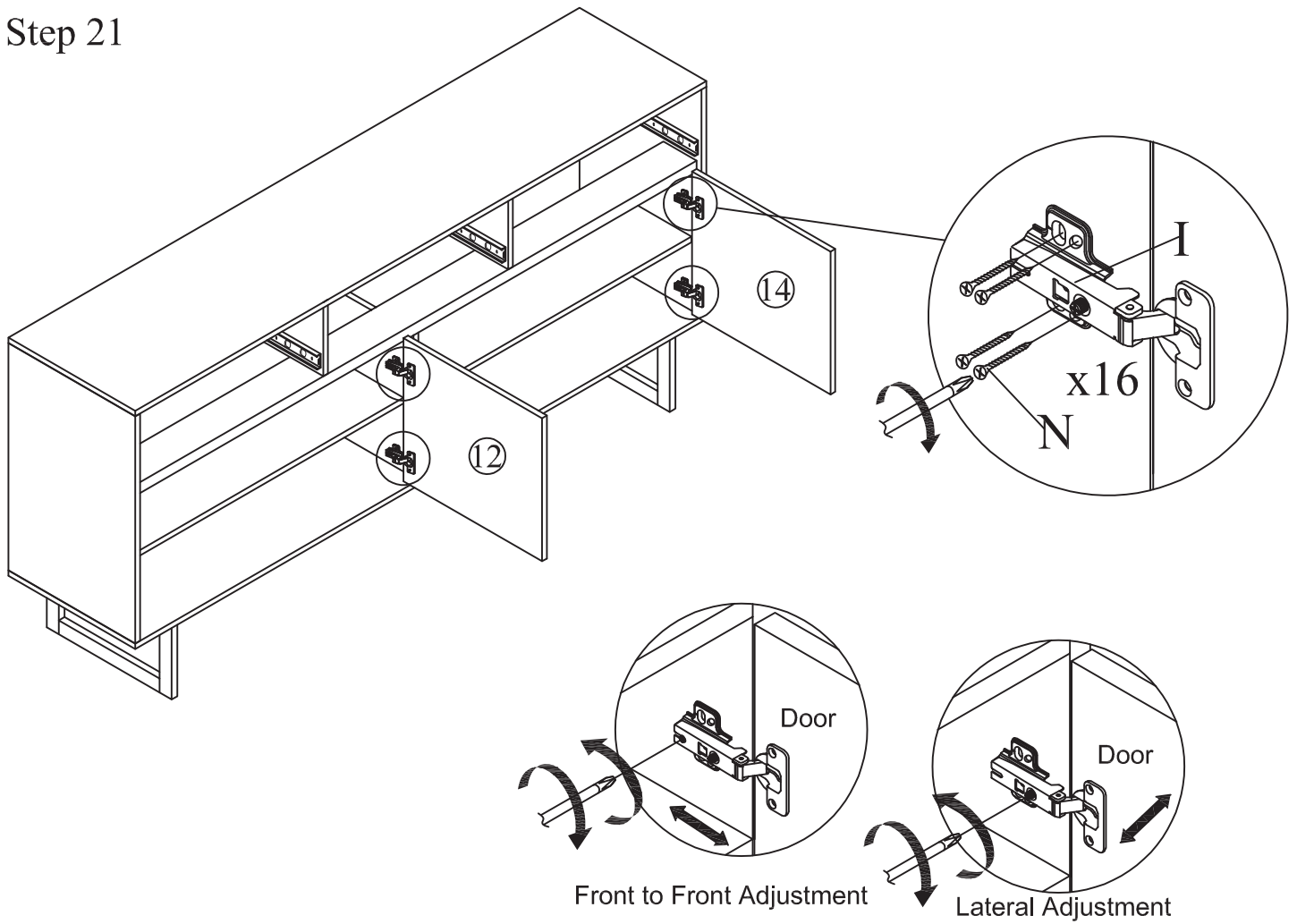
BACK VIEW



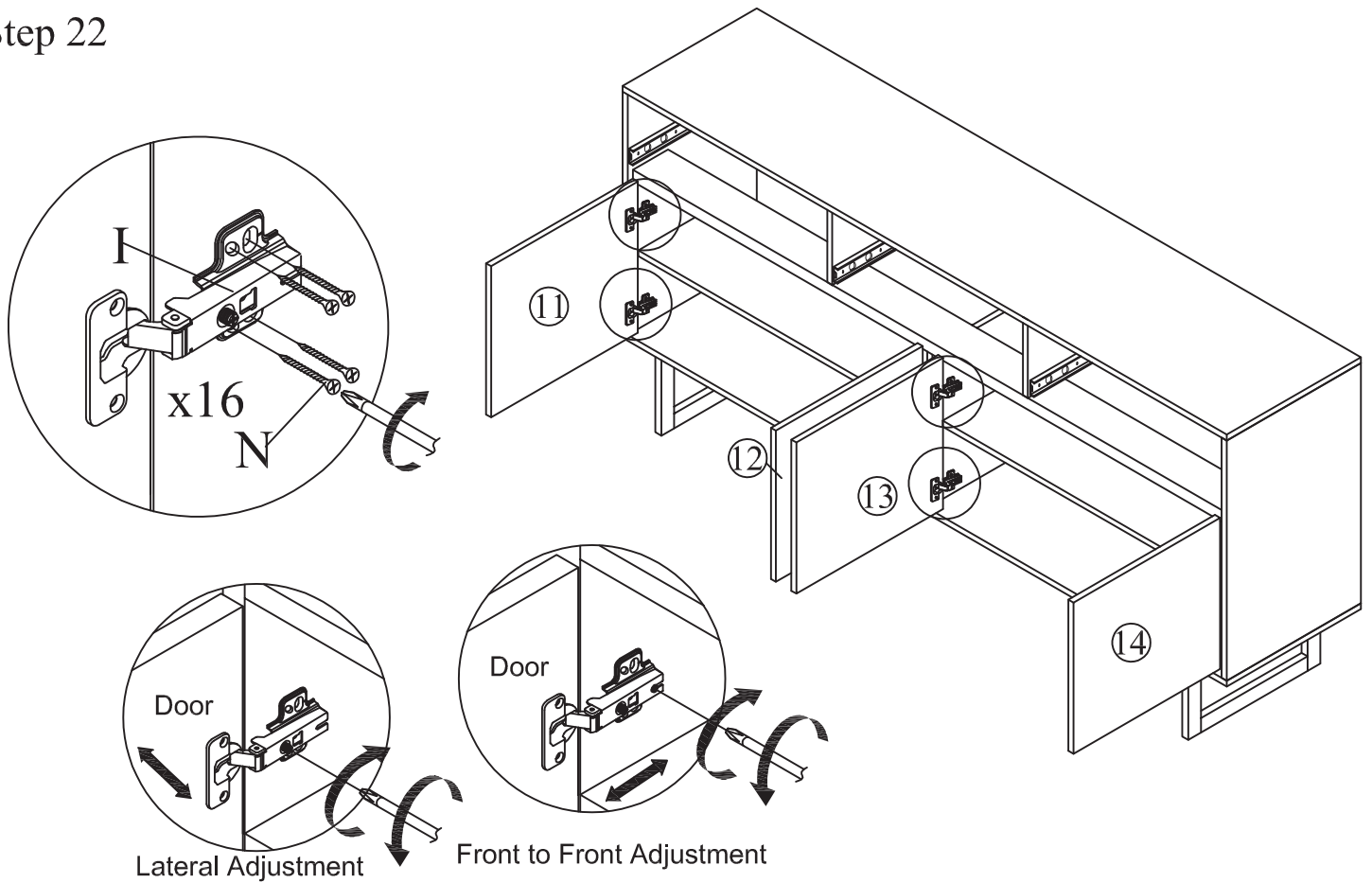
Step 20



Step 21

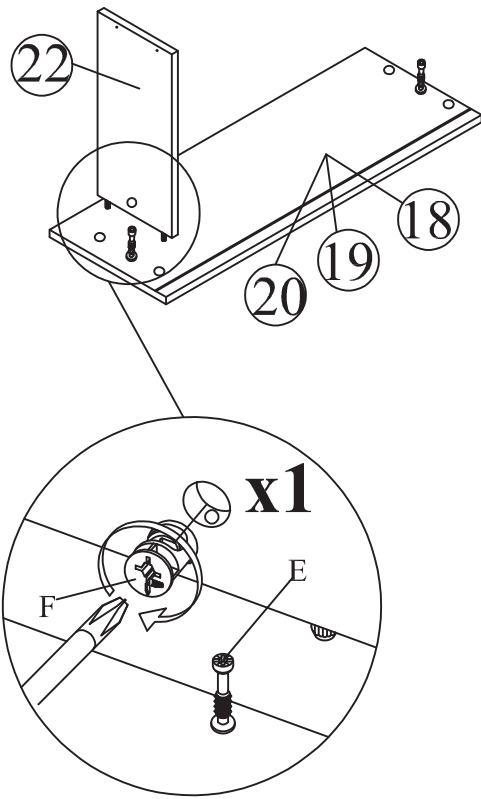


Step 22



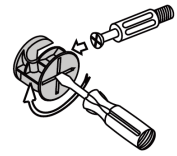
Step 23

Step 23.1



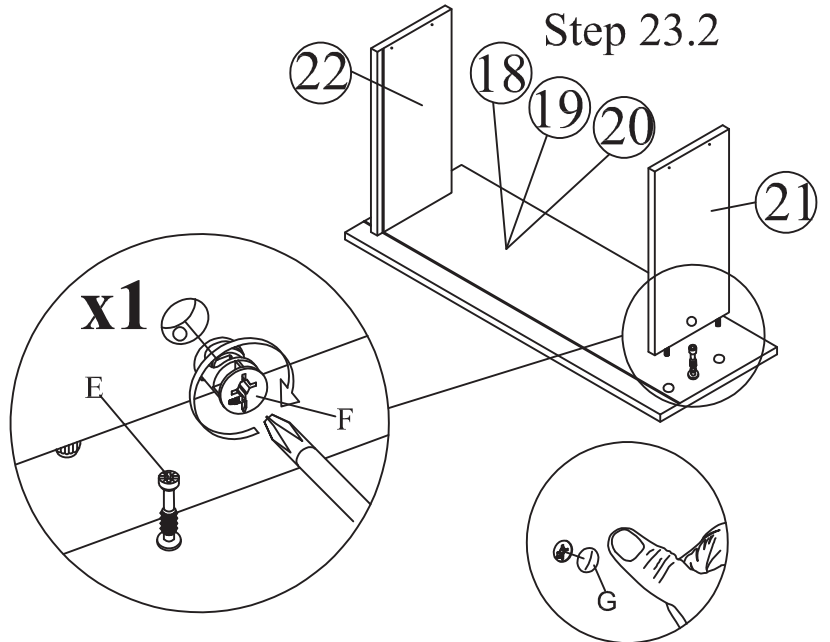
This is how a mini fix works...

The head of the mini fix housing goes into the open mouth of the mini fix bolt. You then turn the mini fix housing so it tightens over the mini fix bolt.



x3

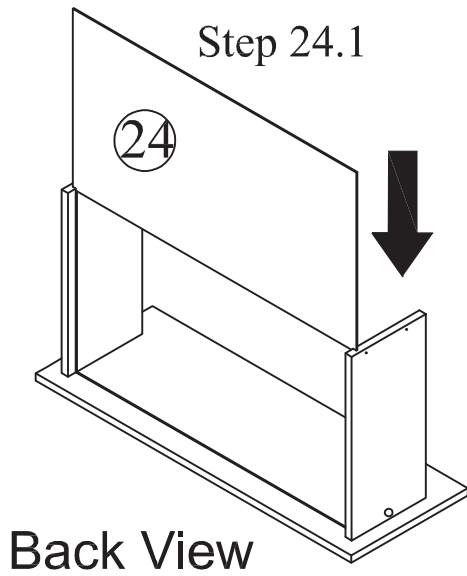
Step 23.2



*Attach Minifix Cap as shown.

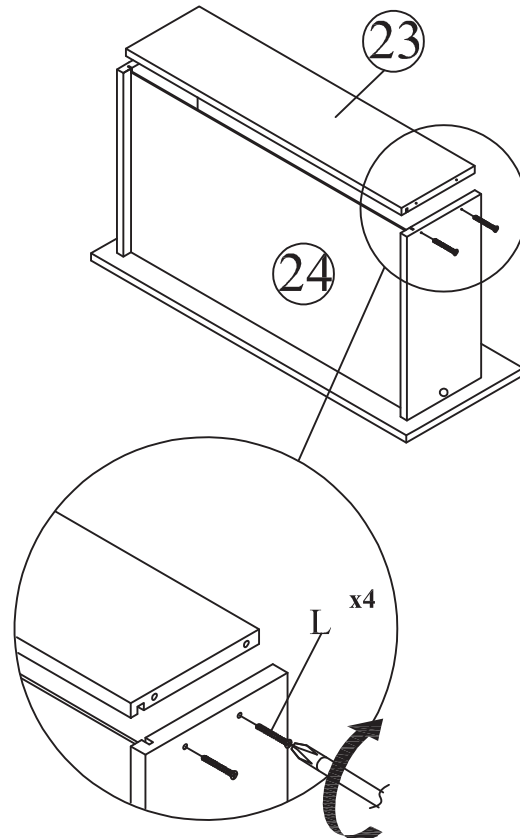
Step 24

Step 24.1



Back View

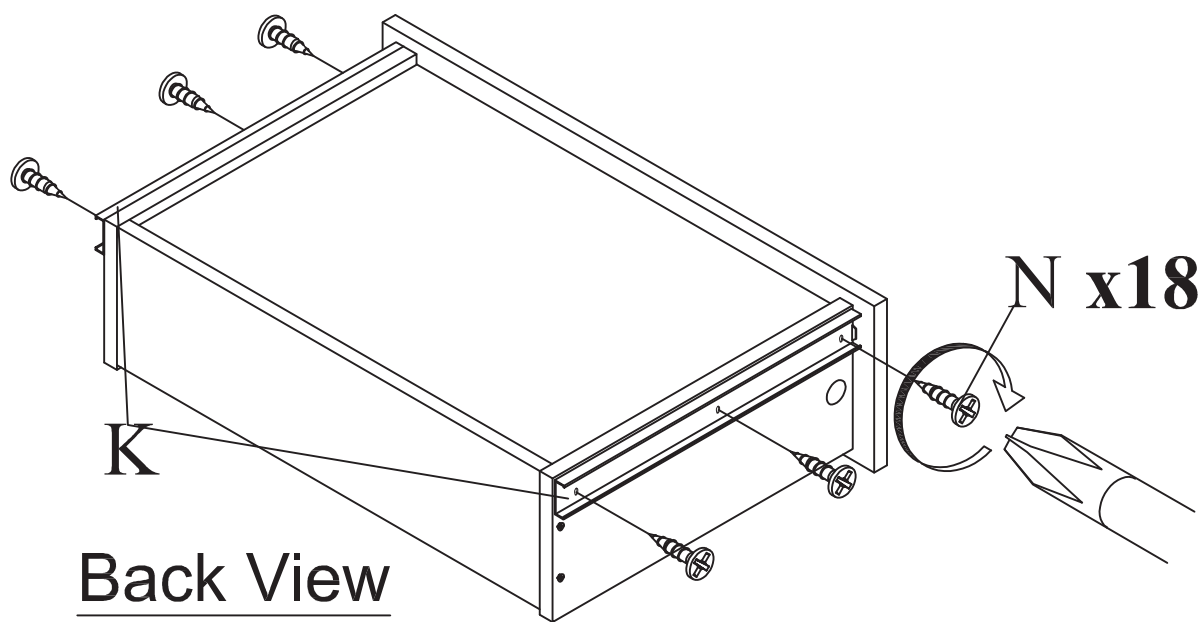
Step 24.2



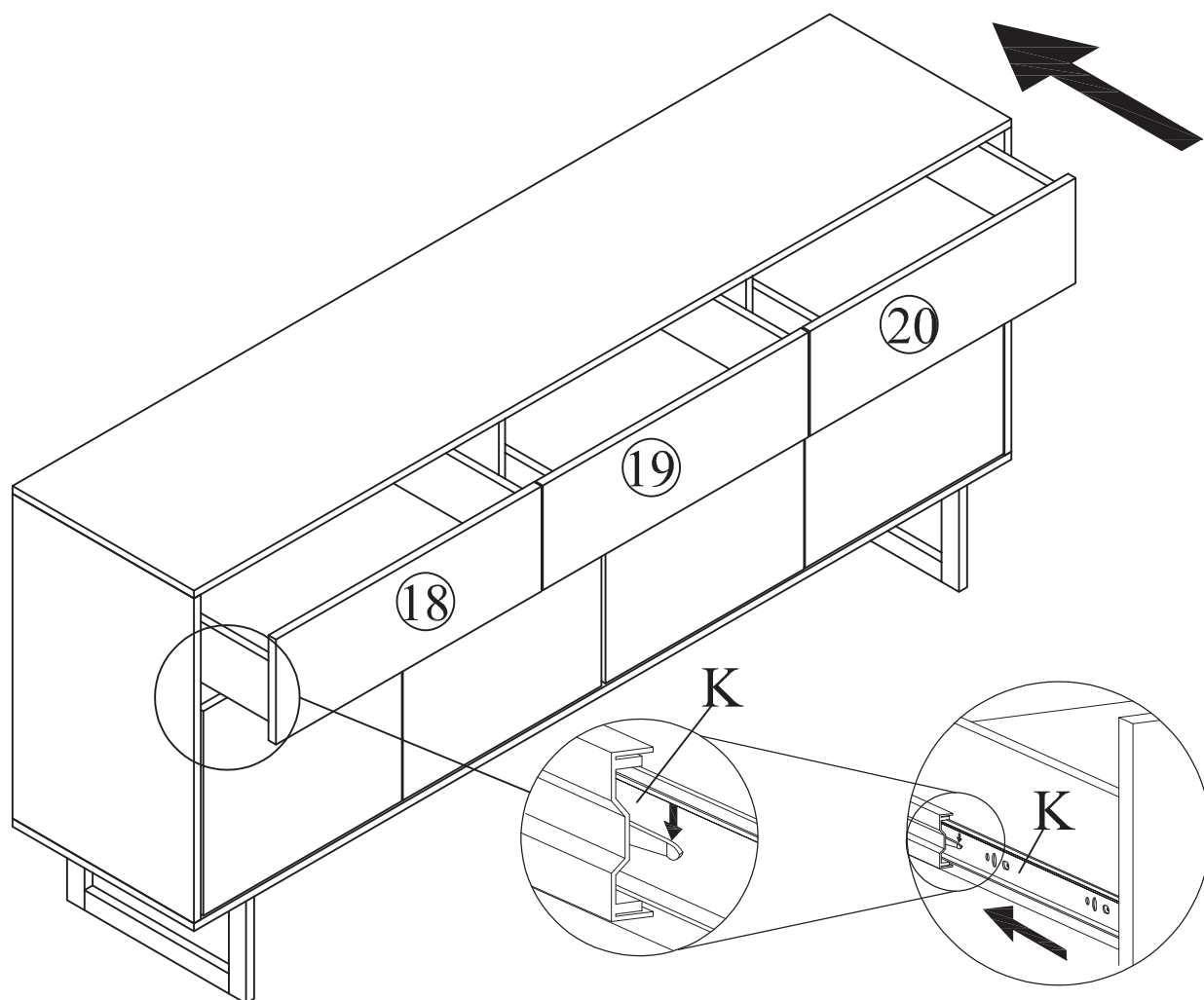
x3

Step 25

x3



Step 26



Anti -
Tipping

(A)



CSK Screw
M3.5x16mm
1PC

(B)



CSK Screw
M4x50mm
1PC

(C)

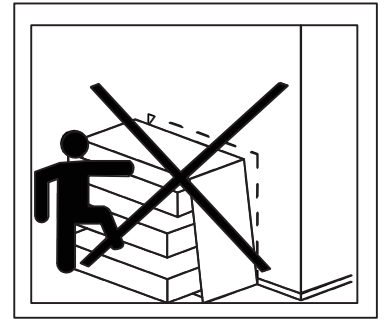
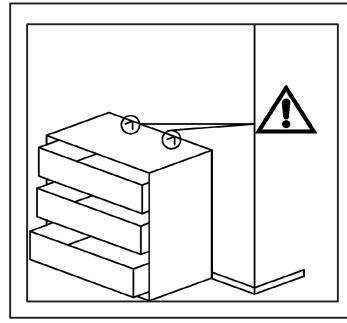


L BRACKET
2PCS

(D)



CABLE TIE
1PC



BACK VIEW

