




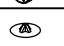
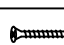
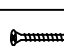
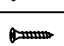




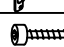

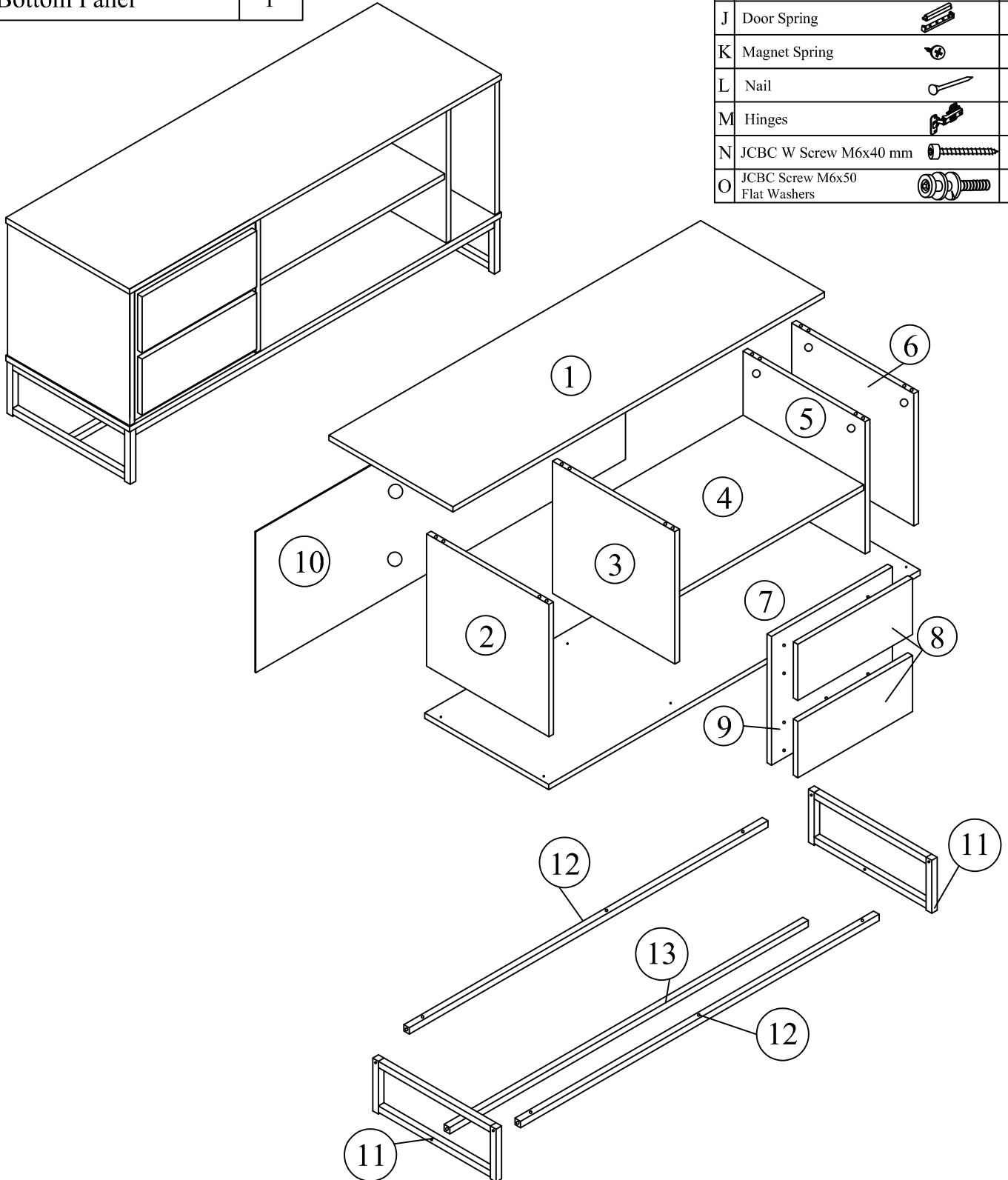


Assembly Instructions

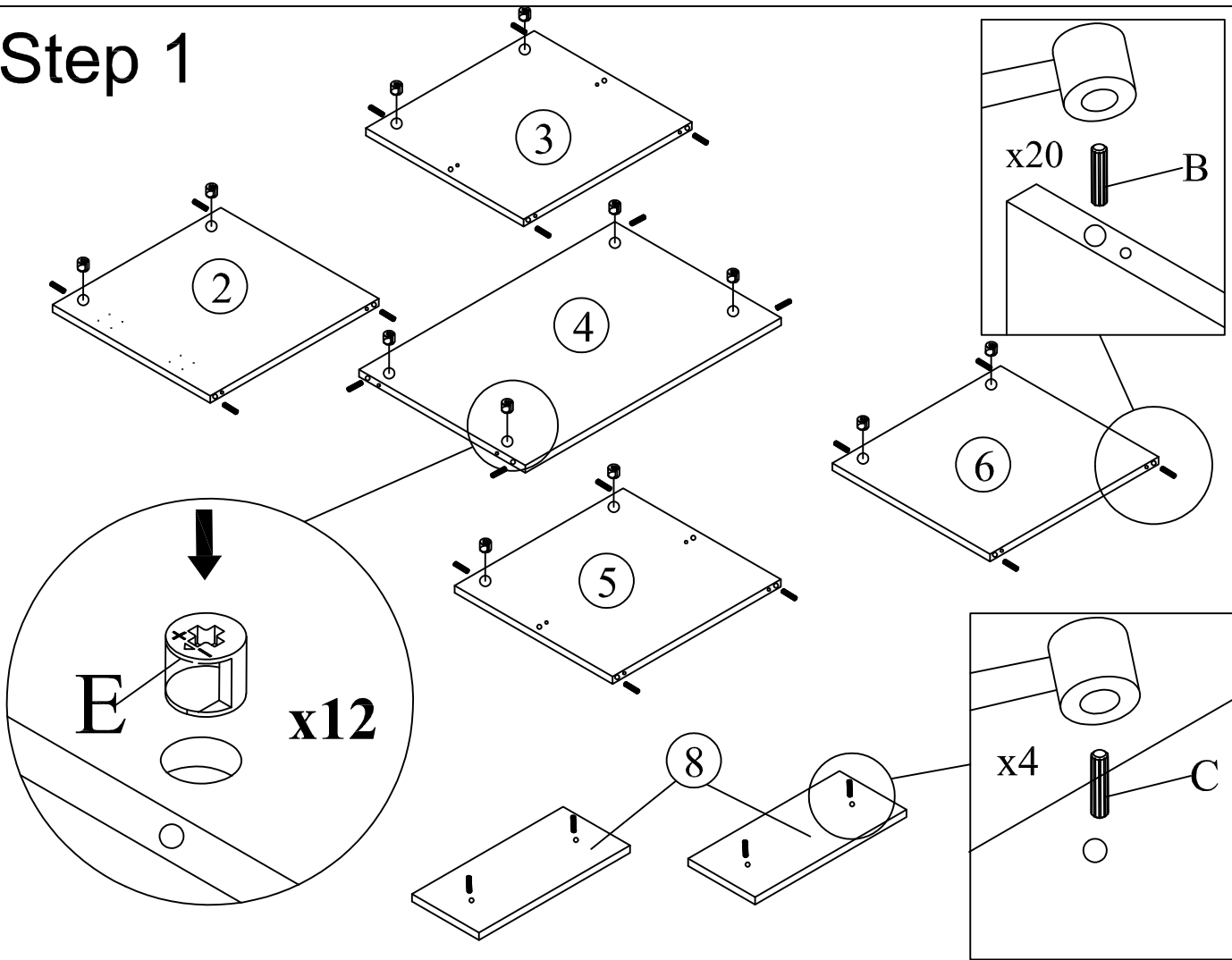
ECOLIFE
MODEL : TV 8008-MONTIG SERIES TV CABINET

Part List		QTY	Part List		QTY
1	Top Panel	1	8	Door Small Panel	2
2	Side Panel (L)	1	9	Door Big Panel	1
3	Middle Panel (L)	1	10	Back Panel	1
4	Middle Support Panel	1	11	Metal Frame Leg	2
5	Middle Panel (R)	1	12	Metal Support	2
6	Side Panel (R)	1	13	Metal Support	1
7	Bottom Panel	1			

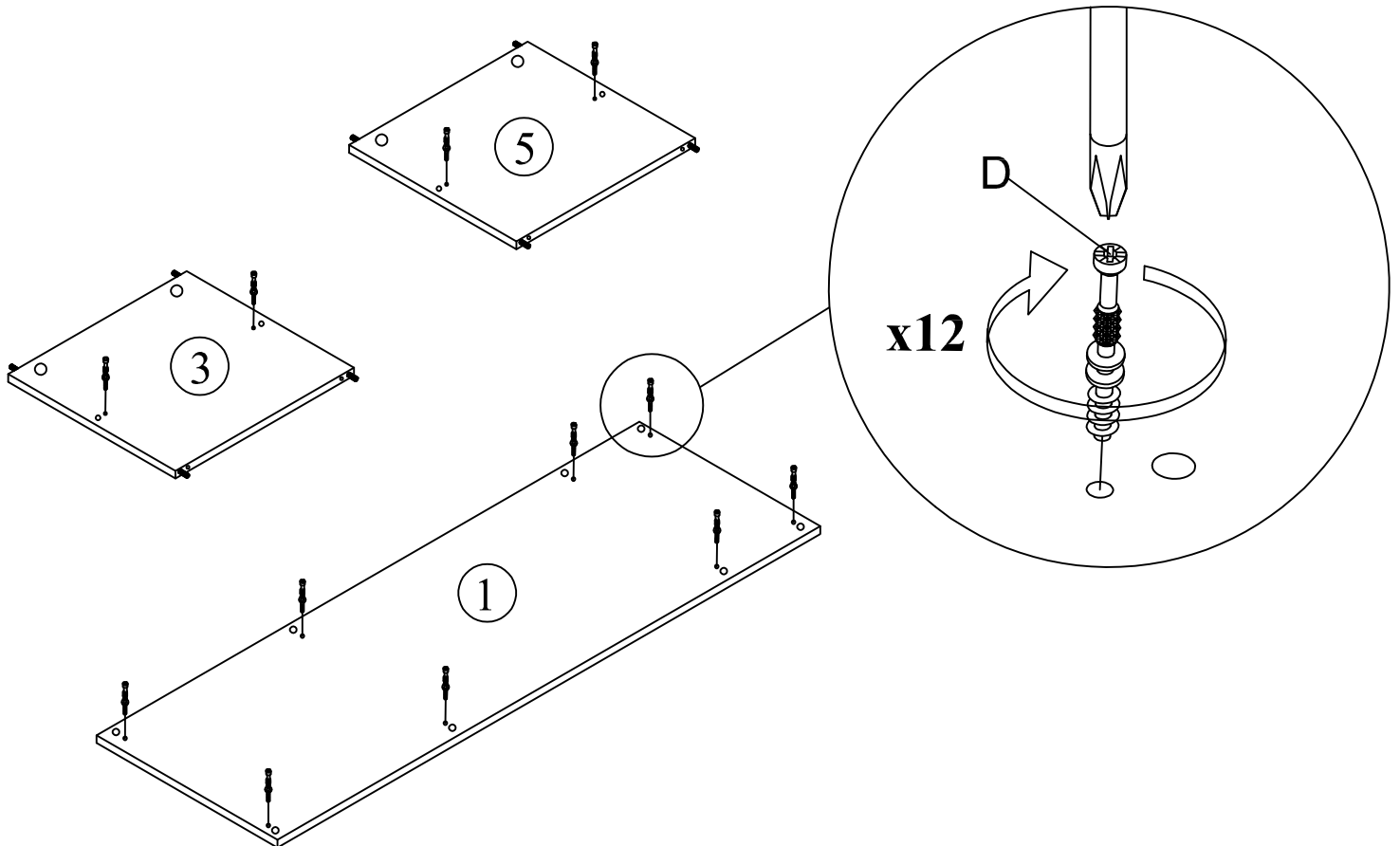
Hardware		QTY
A	Allen Key M4 	1
B	Plastic Dowel M8 x 25 	20
C	Wood Dowel M8 x 20 	4
D	Mini Fix Bolt 	12
E	Mini Fix Housing 	12
F	Mini Fix Cap 	12
G	CSK Screw M4x32mm 	6
H	CSK Screw M4x30mm 	12
I	CSK Screw M3.5x16mm 	16
J	Door Spring 	1
K	Magnet Spring 	1
L	Nail 	40
M	Hinges 	2
N	JCBC W Screw M6x40 mm 	8
O	JCBC Screw M6x50 Flat Washers 	6



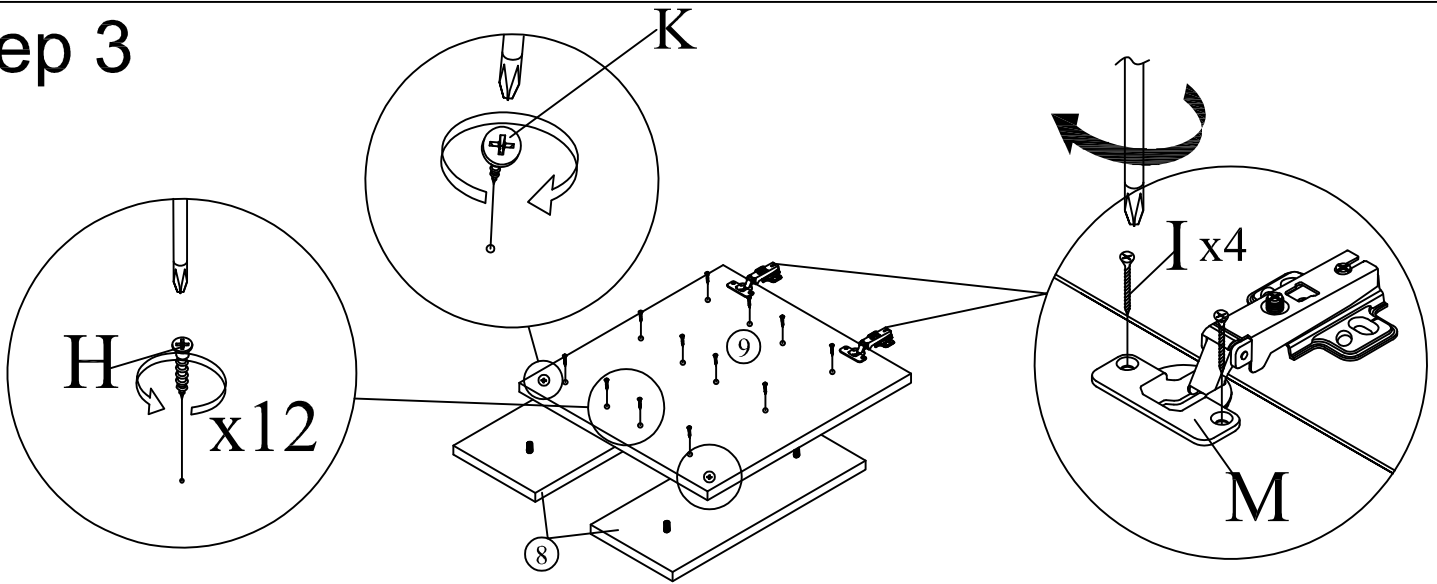
Step 1



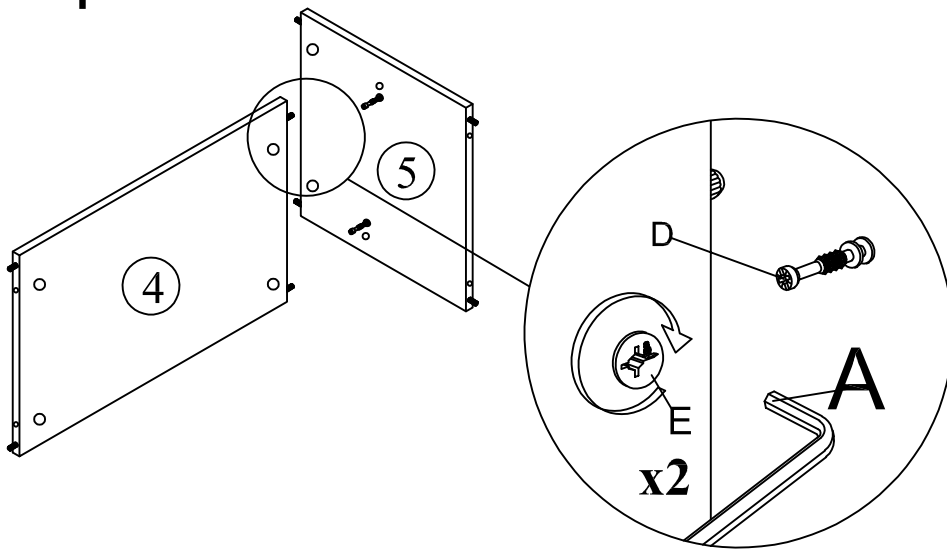
Step 2



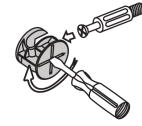
Step 3



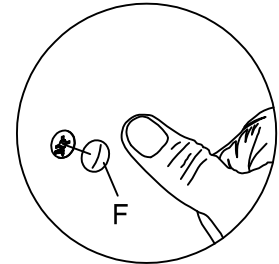
Step 4



This is how a mini fix works...

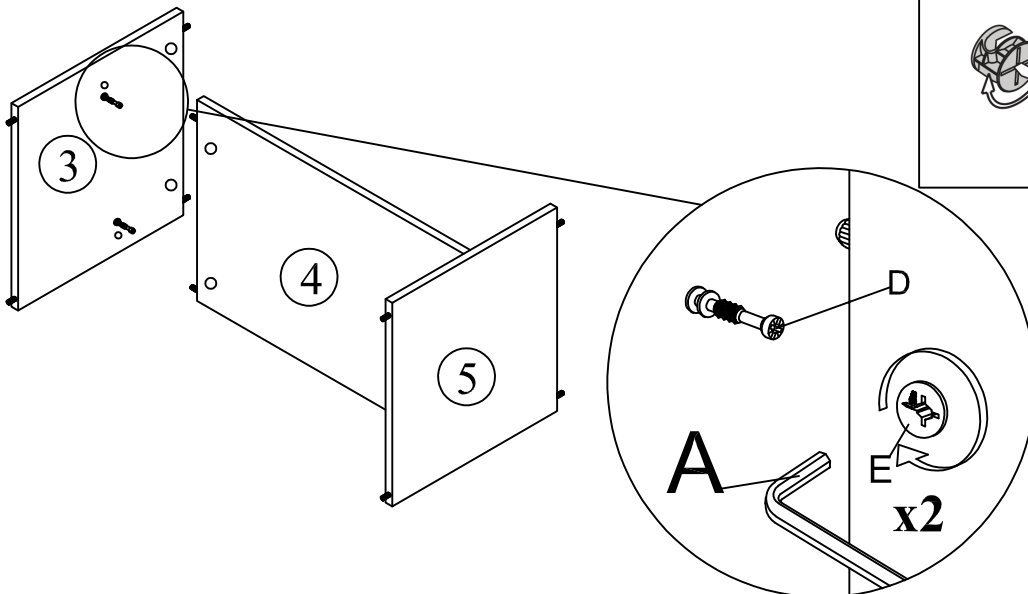


The head of the mini fix housing goes into the open mouth of the mini fix bolt. You then turn the mini fix housing so it tightens over the mini fix bolt.

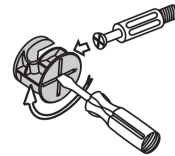


**Attach Minifix Cap as shown.*

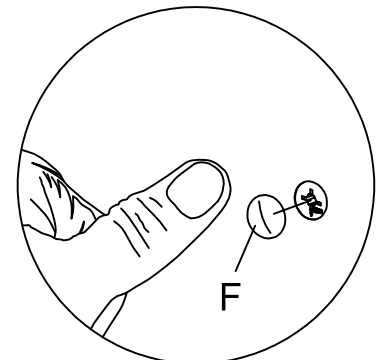
Step 5



This is how a mini fix works...

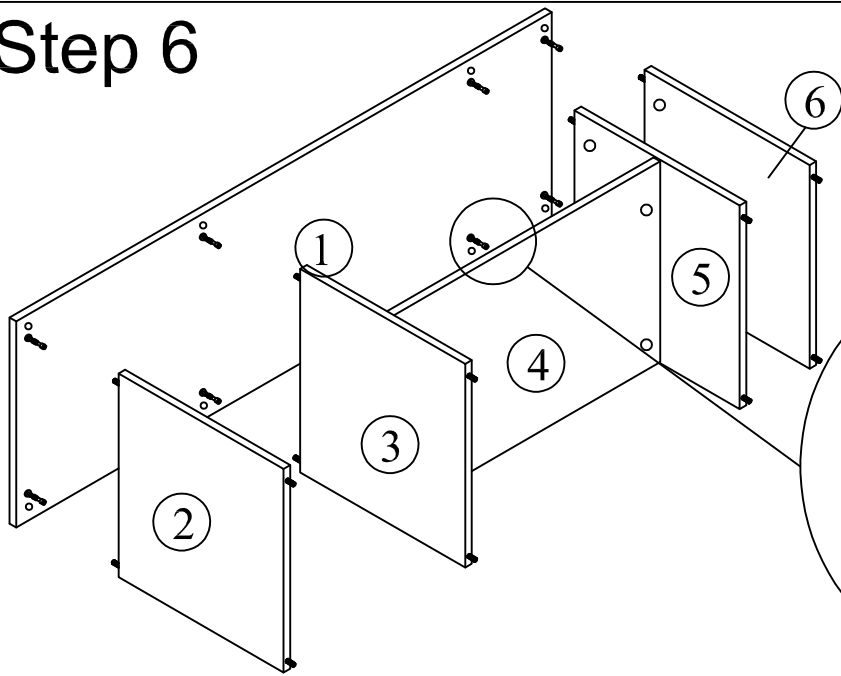


The head of the mini fix housing goes into the open mouth of the mini fix bolt. You then turn the mini fix housing so it tightens over the mini fix bolt.

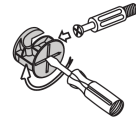


**Attach Minifix Cap as shown.*

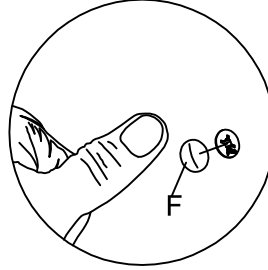
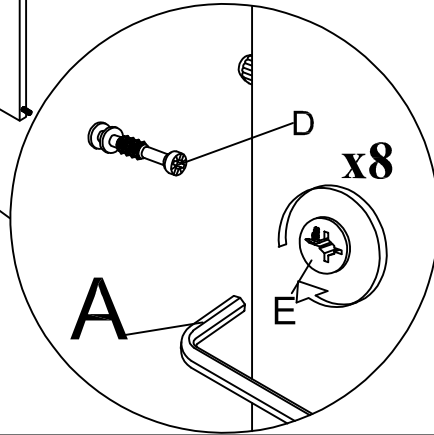
Step 6



This is how a mini fix works...

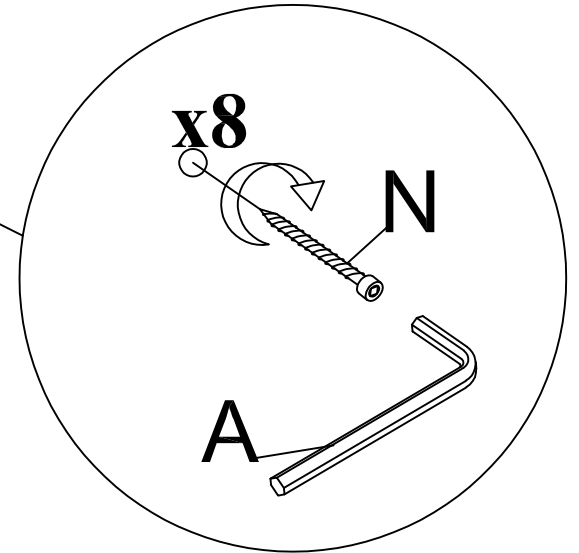
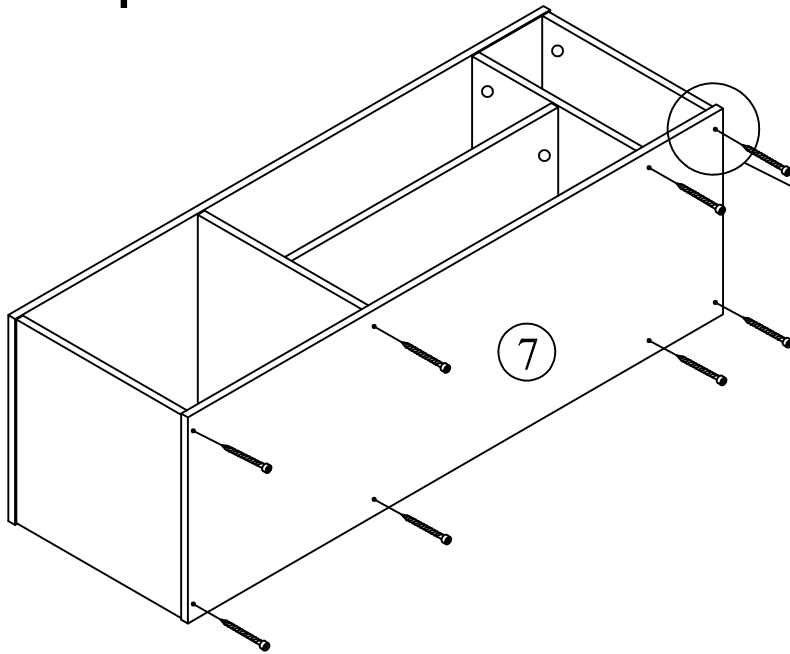


The head of the mini fix housing goes into the open mouth of the mini fix bolt. You then turn the mini fix housing so it tightens over the mini fix bolt.

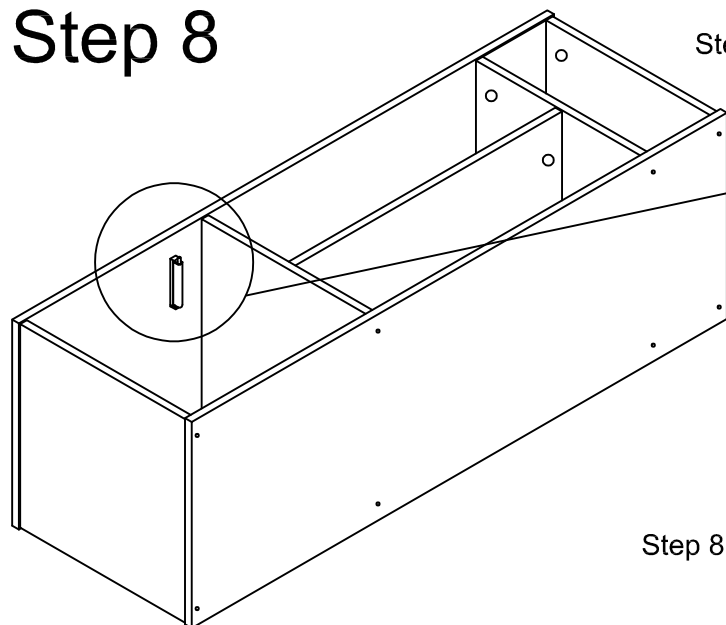


*Attach Minifix Cap as shown.

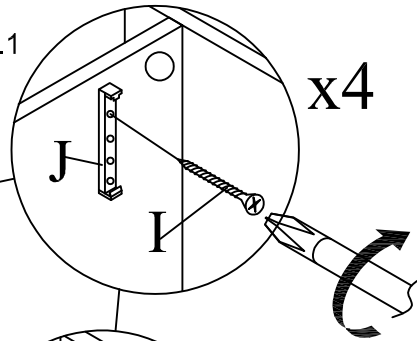
Step 7



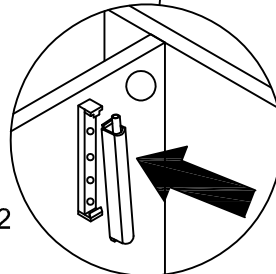
Step 8



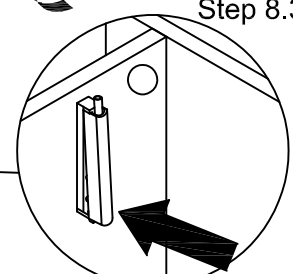
Step 8.1



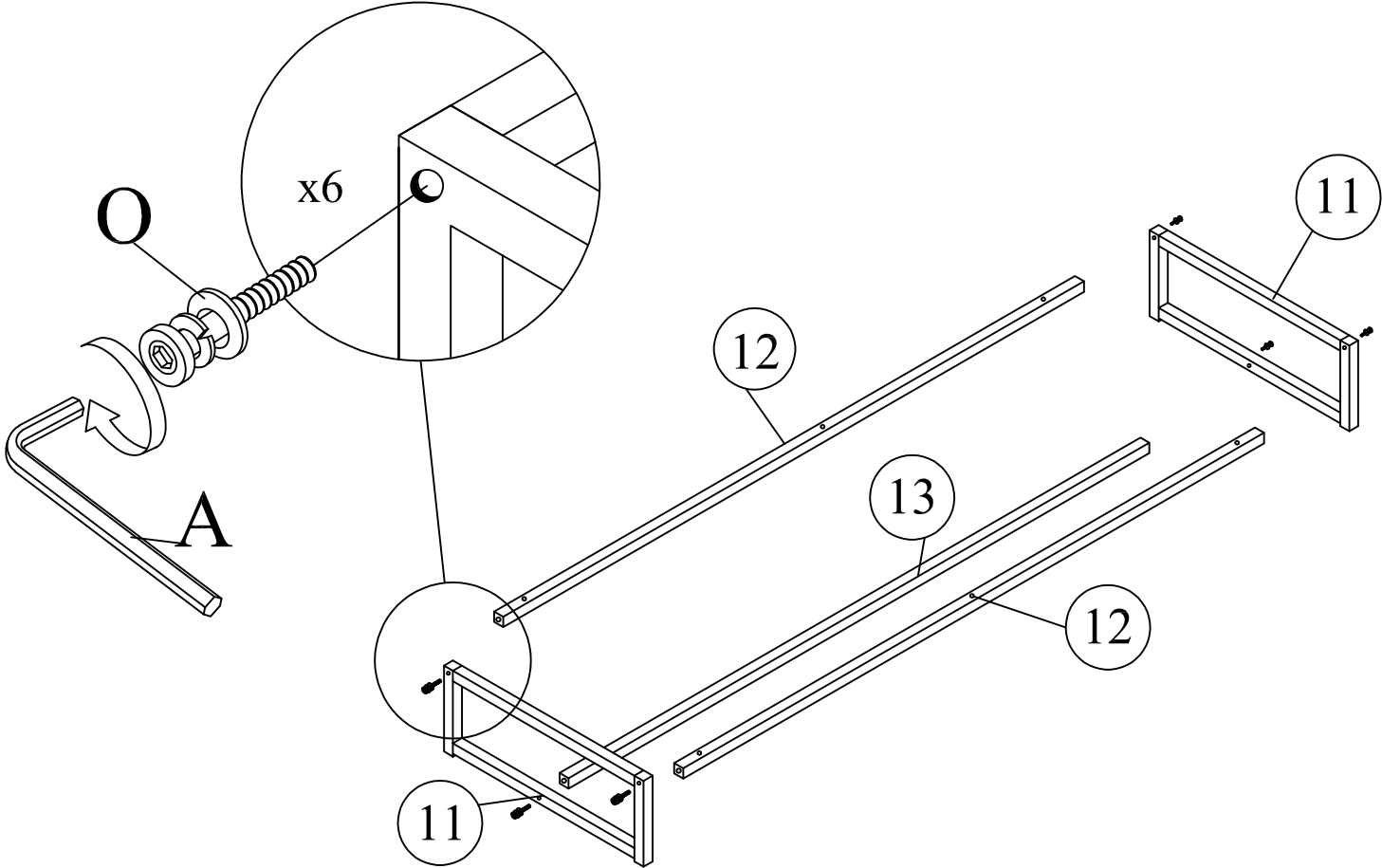
Step 8.2



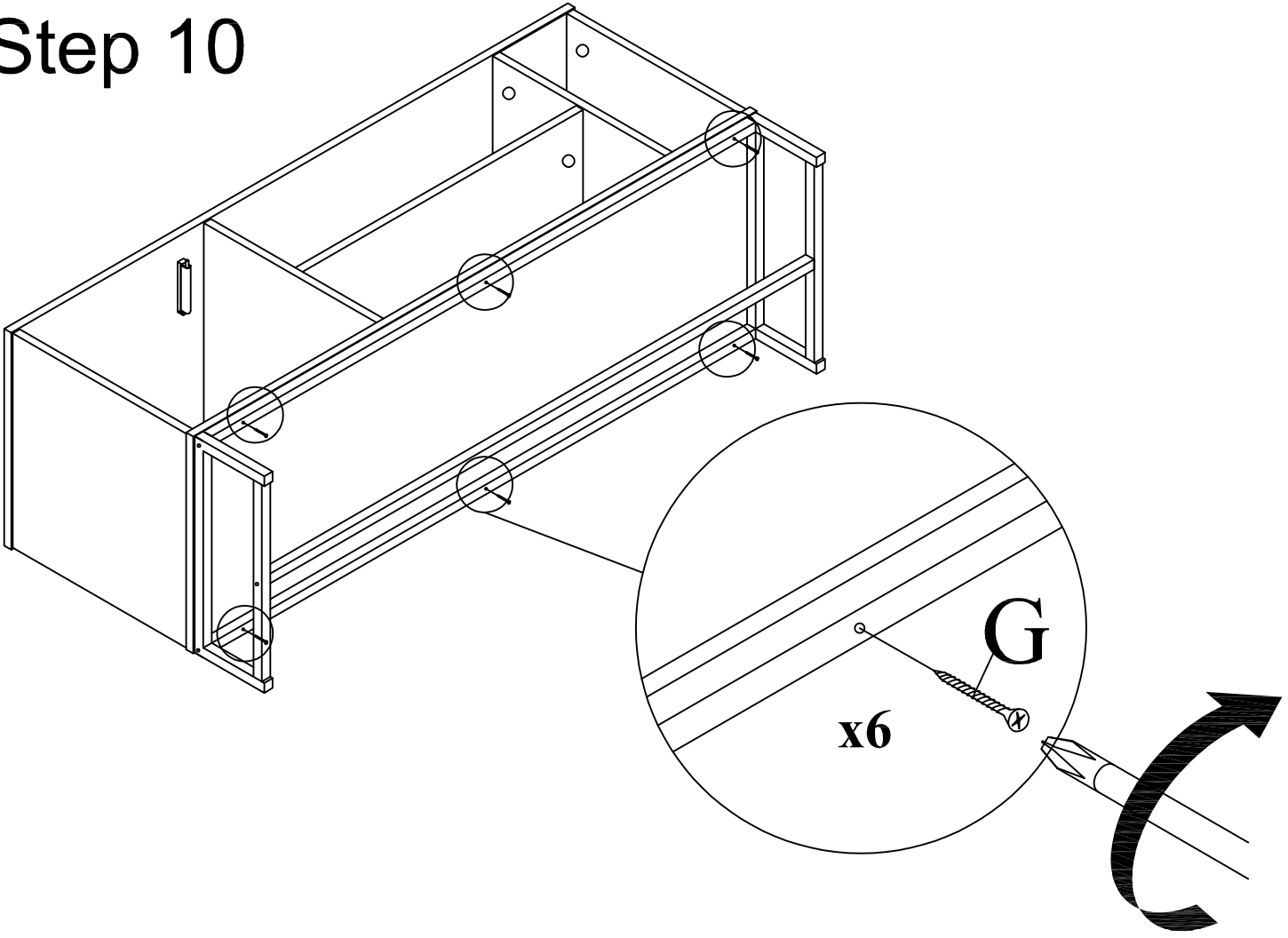
Step 8.3



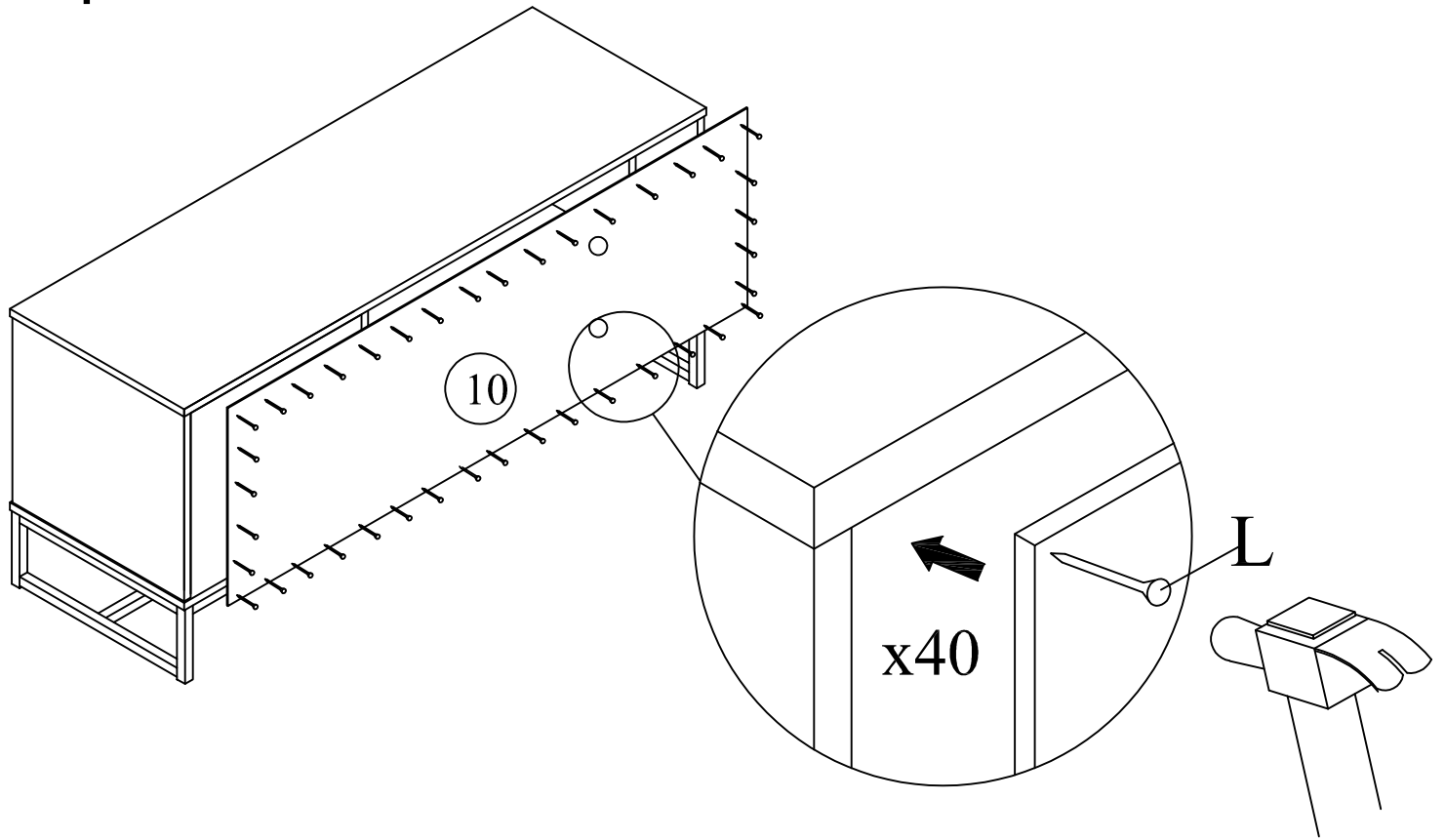
Step 9



Step 10



Step 11



Step 12

